

HYOSUNG



ST7

GV700C

2010 - liste bagest

Reserve dele



SCANDINAVIAN MACHINERY IMPORT ApS

**Holtvej 8-10, Høruphav
6470 Sydals**

Telefon: +45 73 15 11 00

Fax: +45 73 15 11 01

E-mail: info@scanmi.dk

www.scanmi.dk

CVR: 27 73 31 07

FIG 1-1

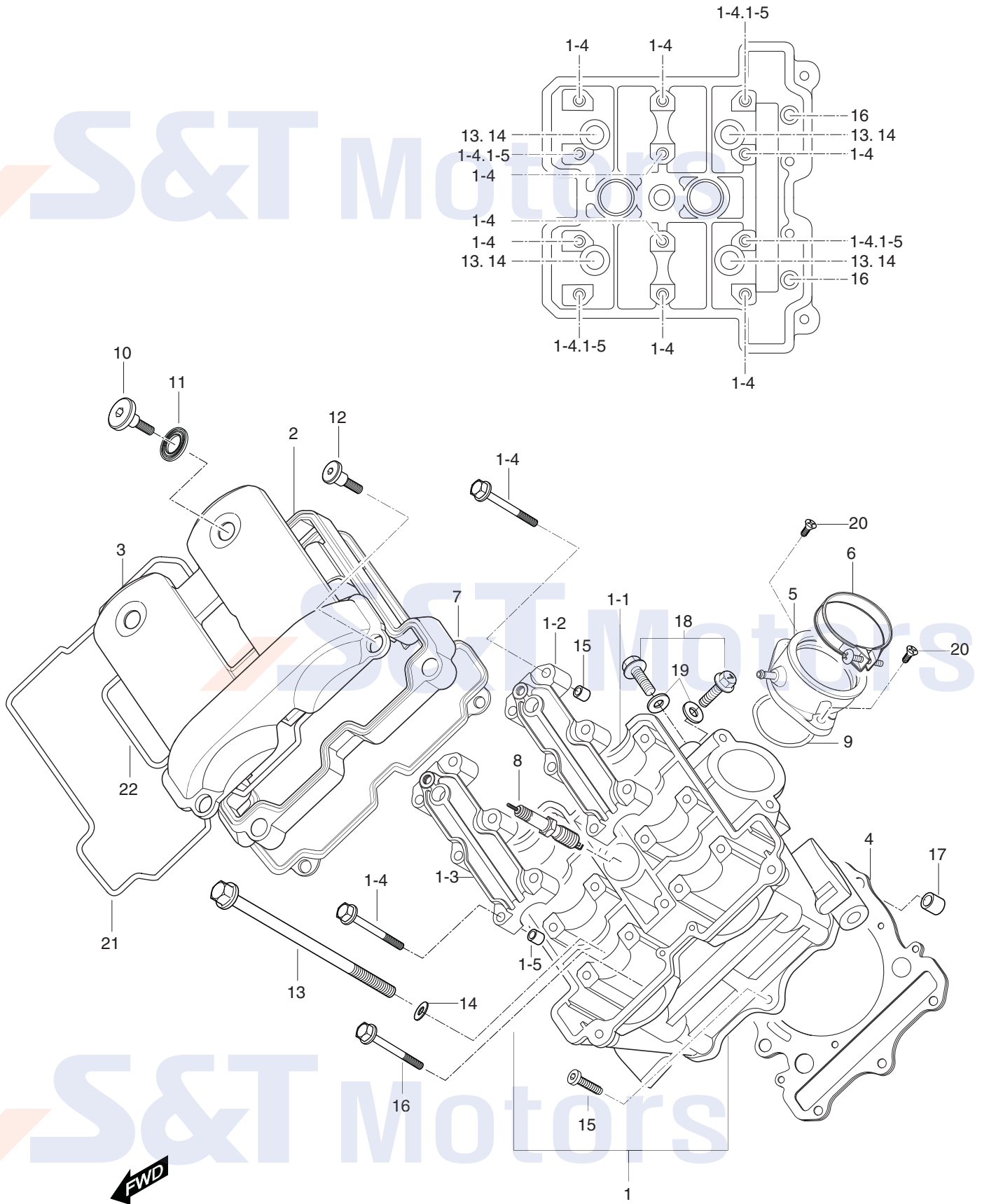


FIG 1-2

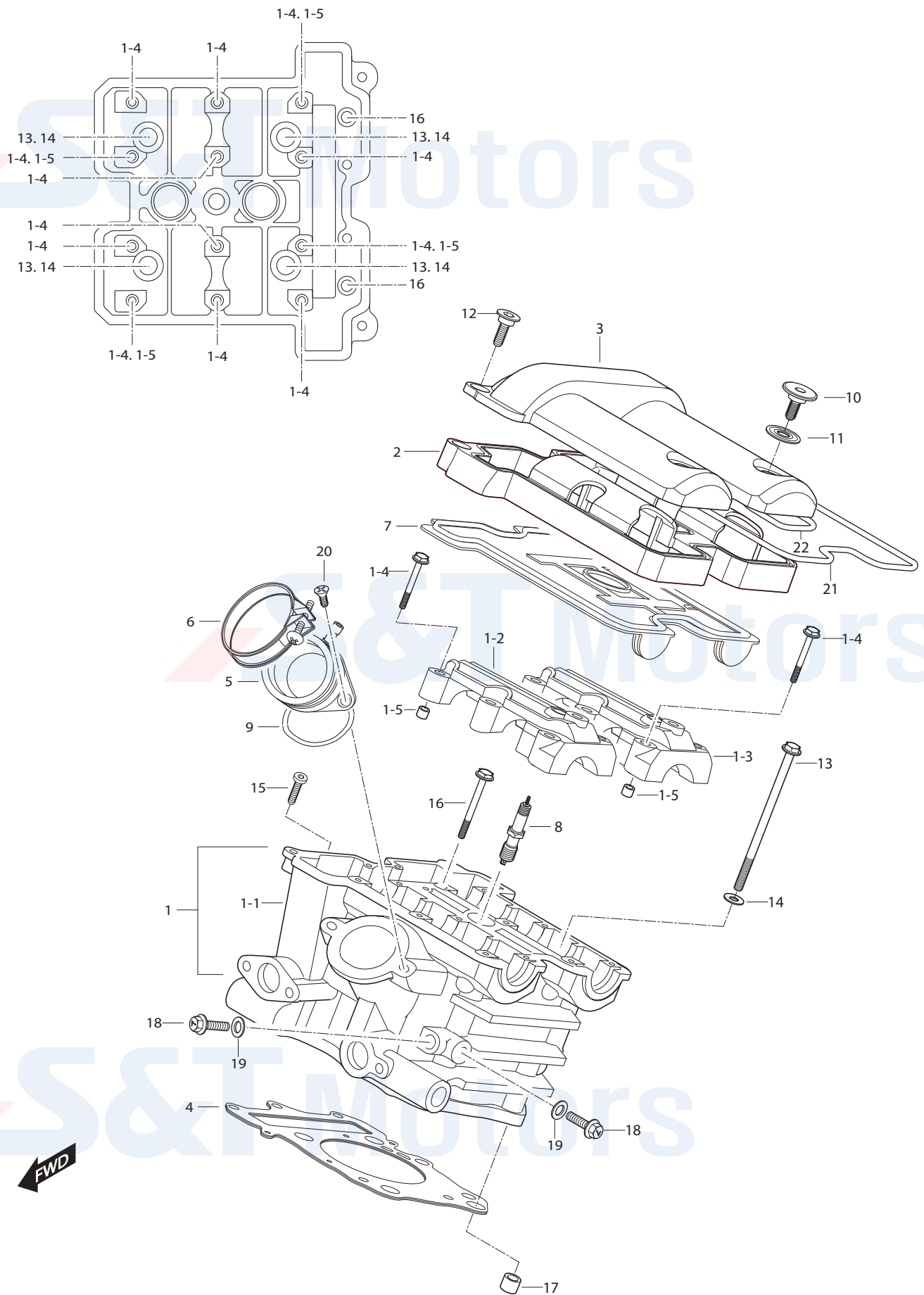
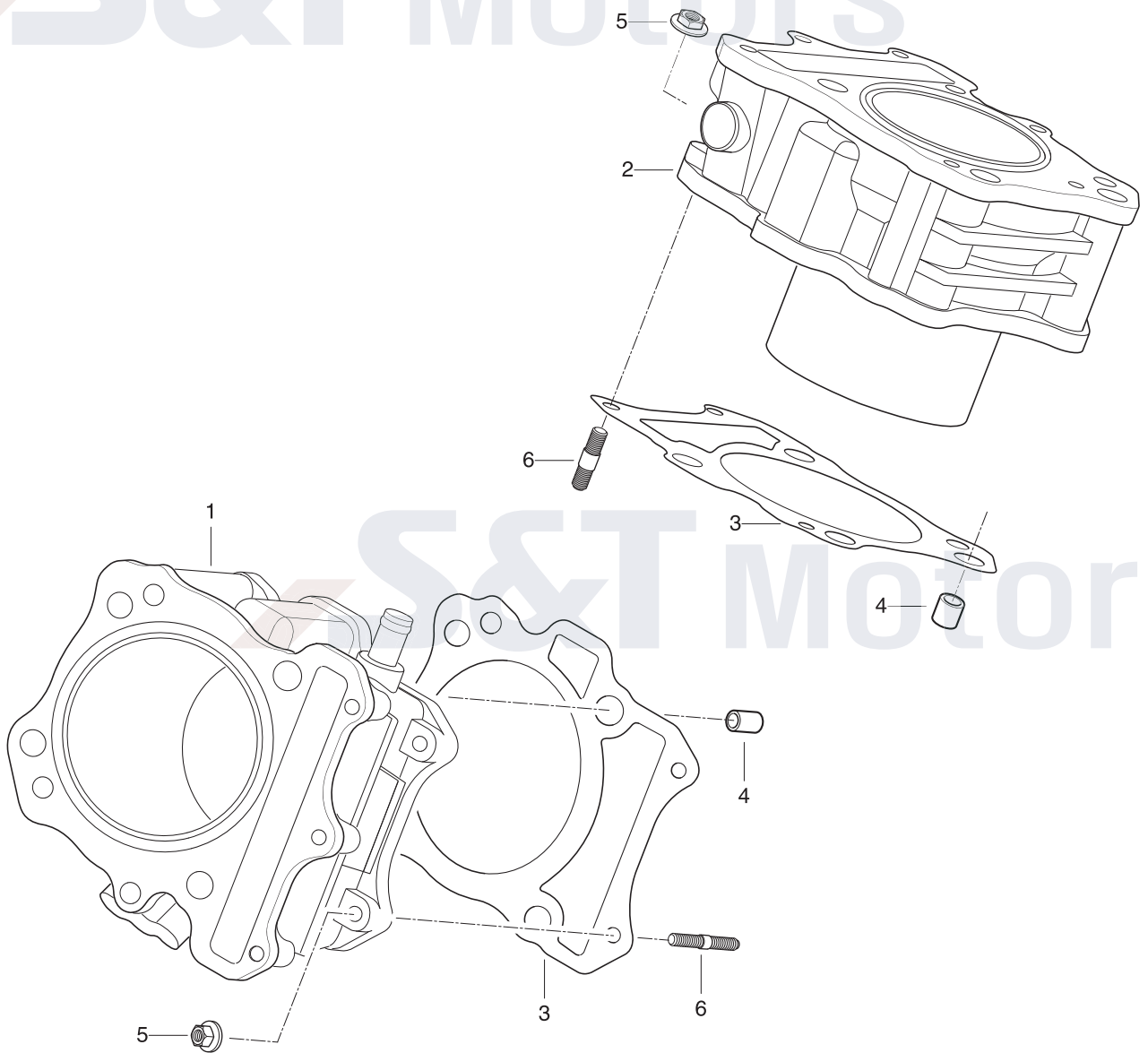


FIG 2



S&T Motors

FIG 3

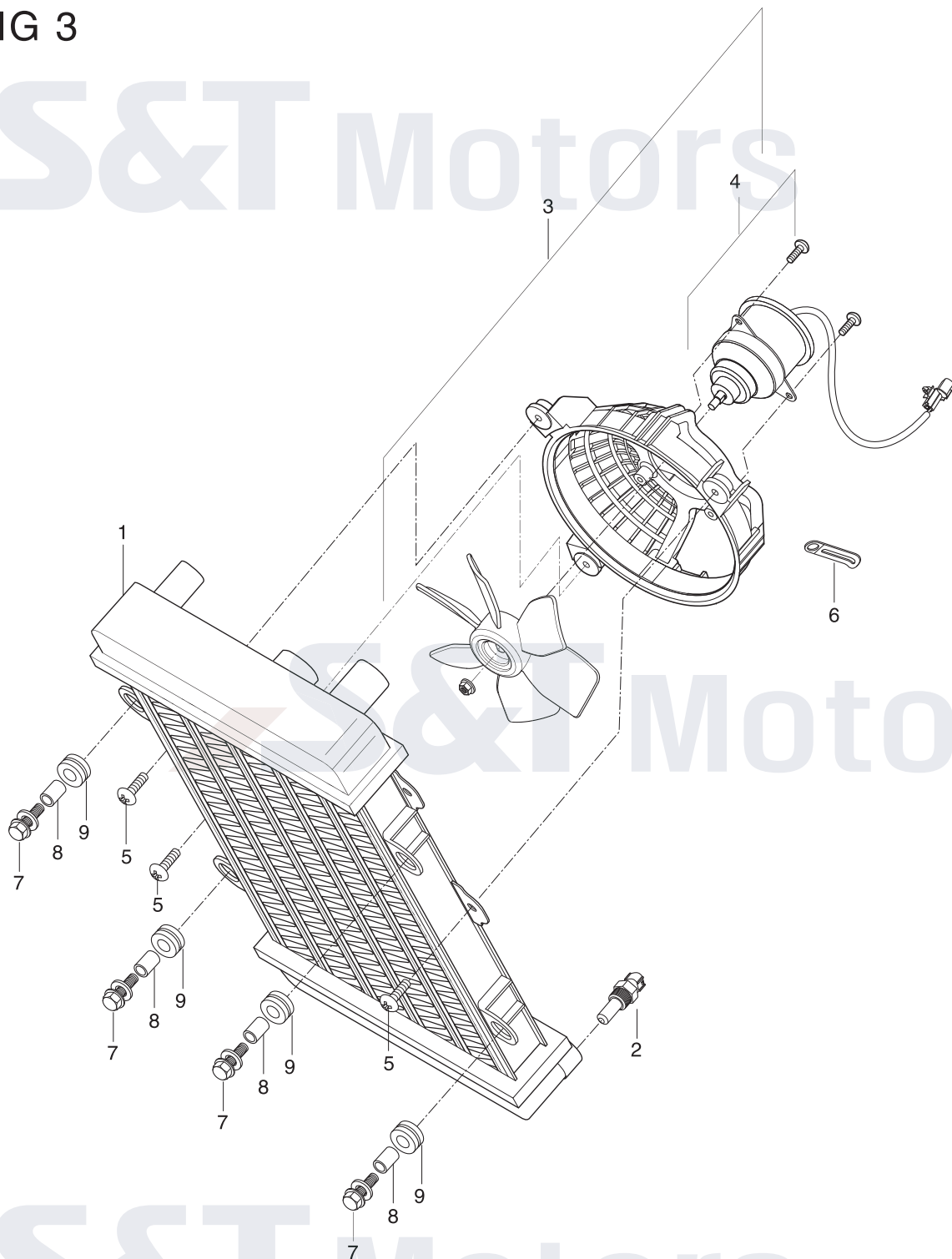
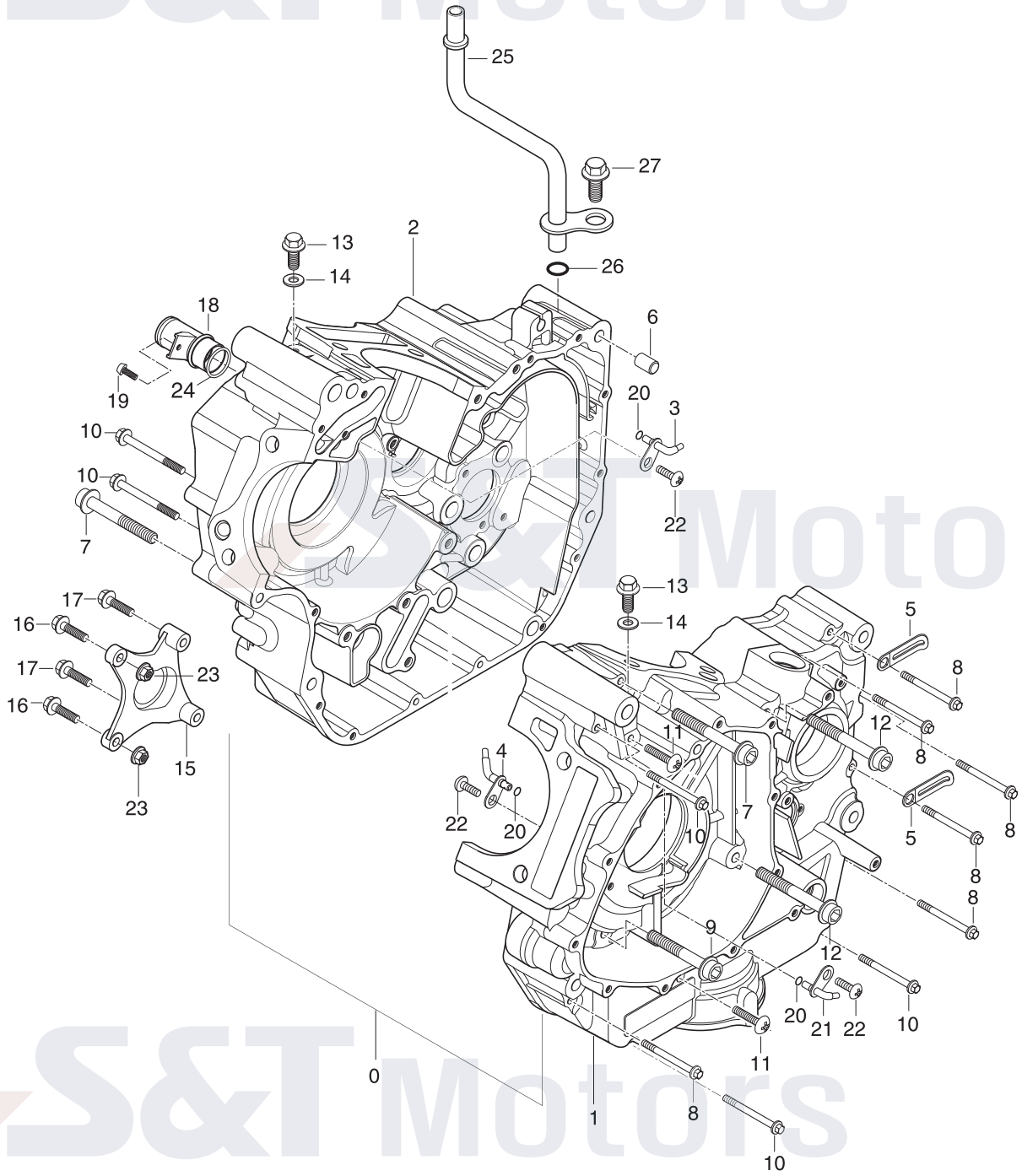


FIG 4

S&T Motors



S&T Motors

FIG 5

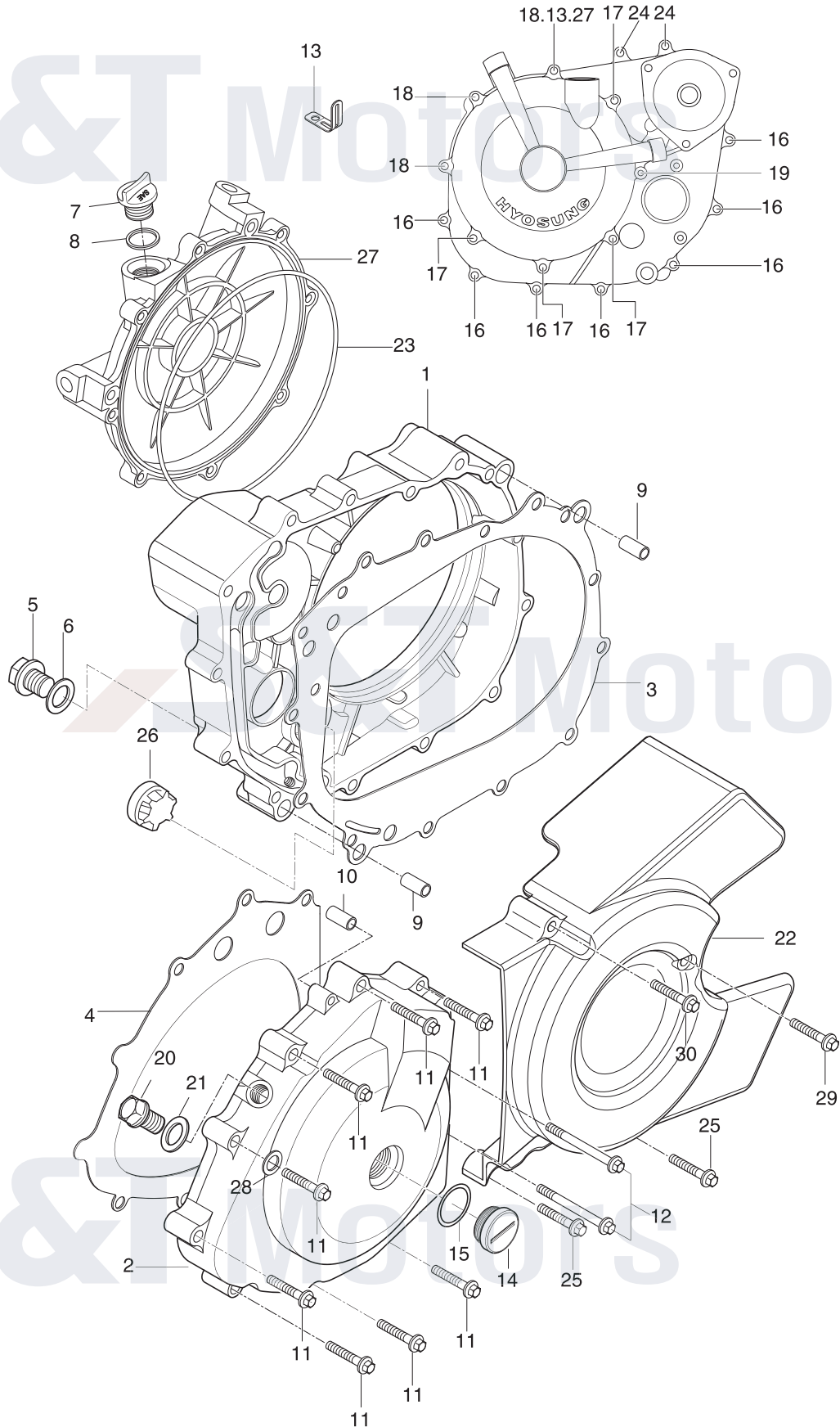


FIG 6

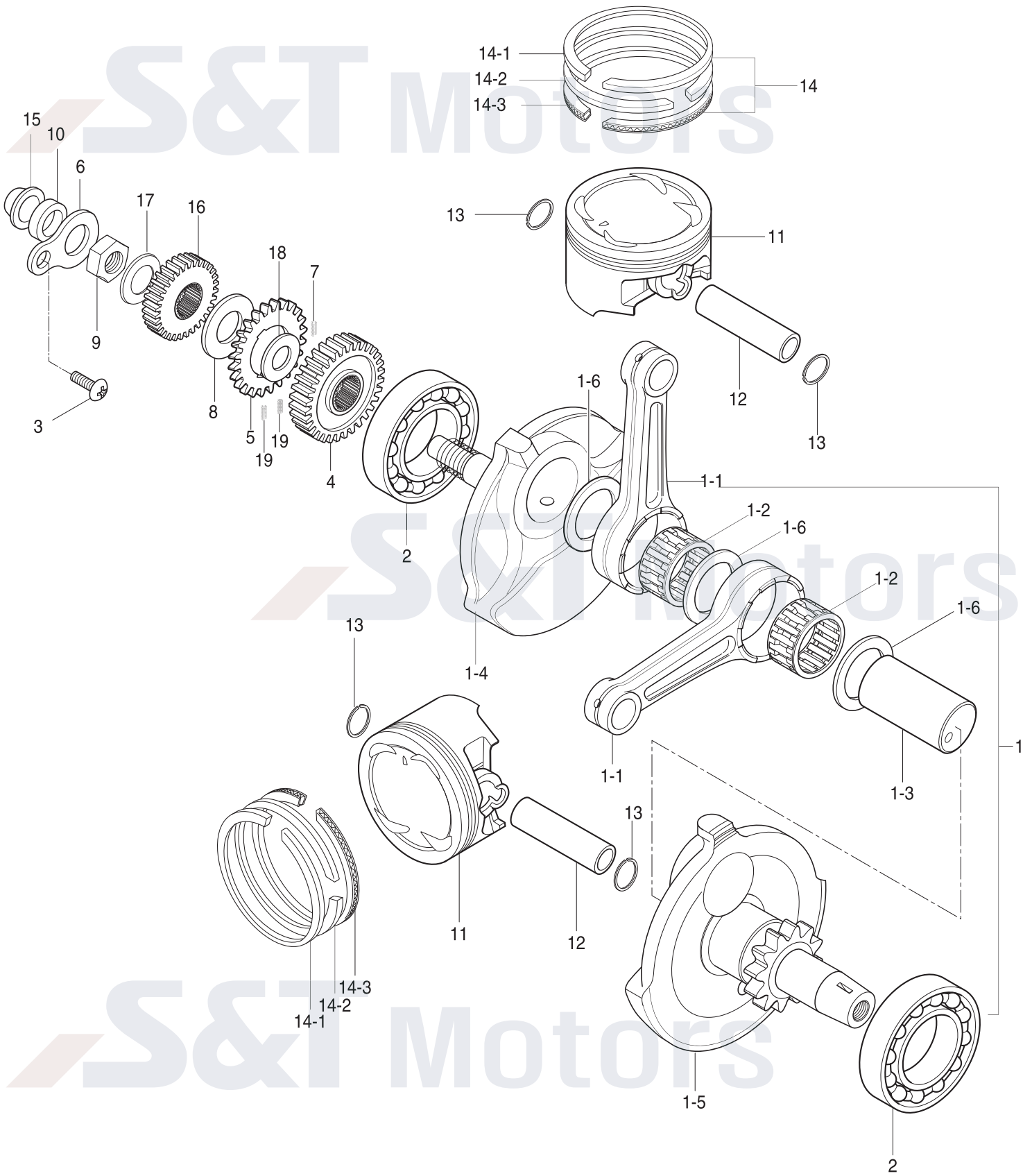
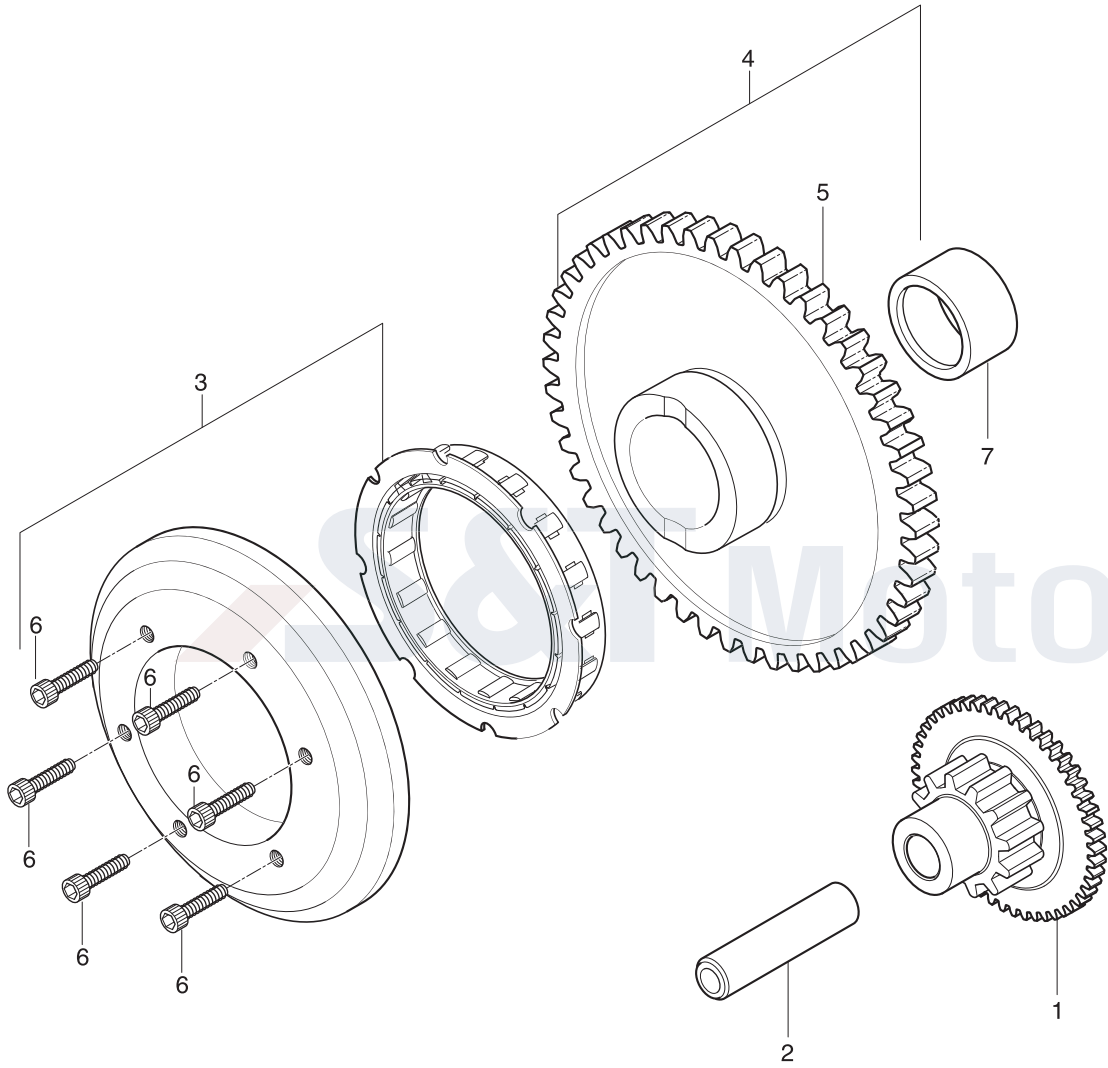


FIG.7

S&T Motors



S&T Motors

FWD

FIG 8

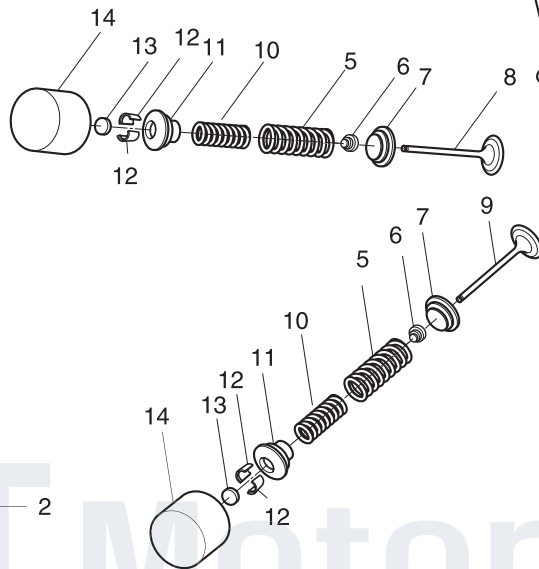
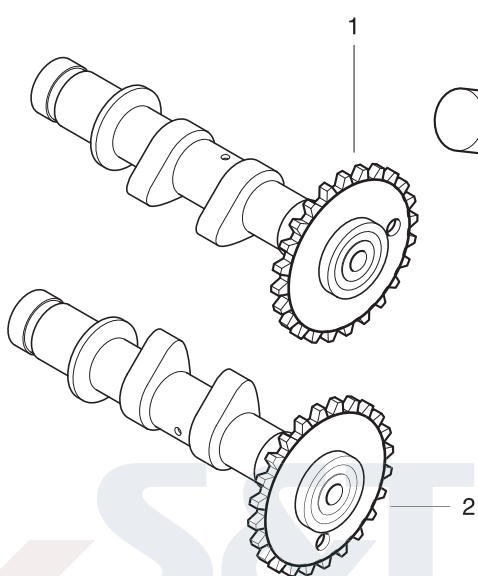
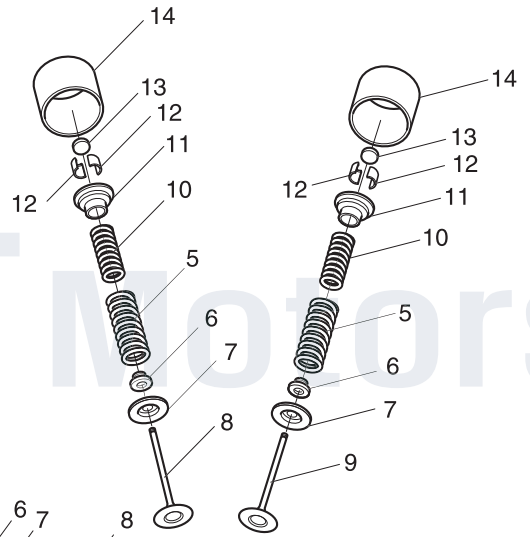
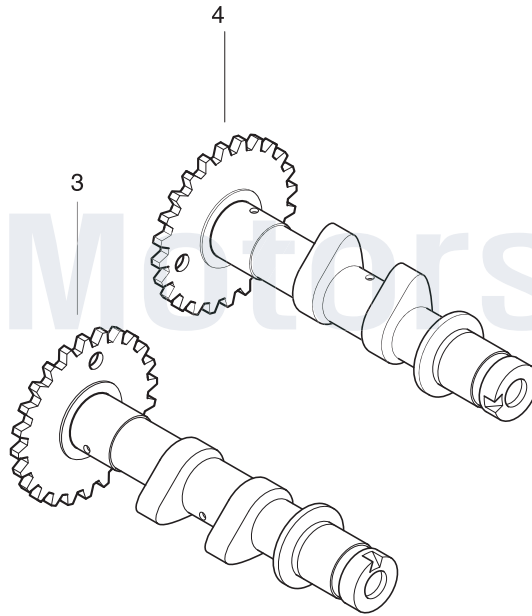


FIG 9

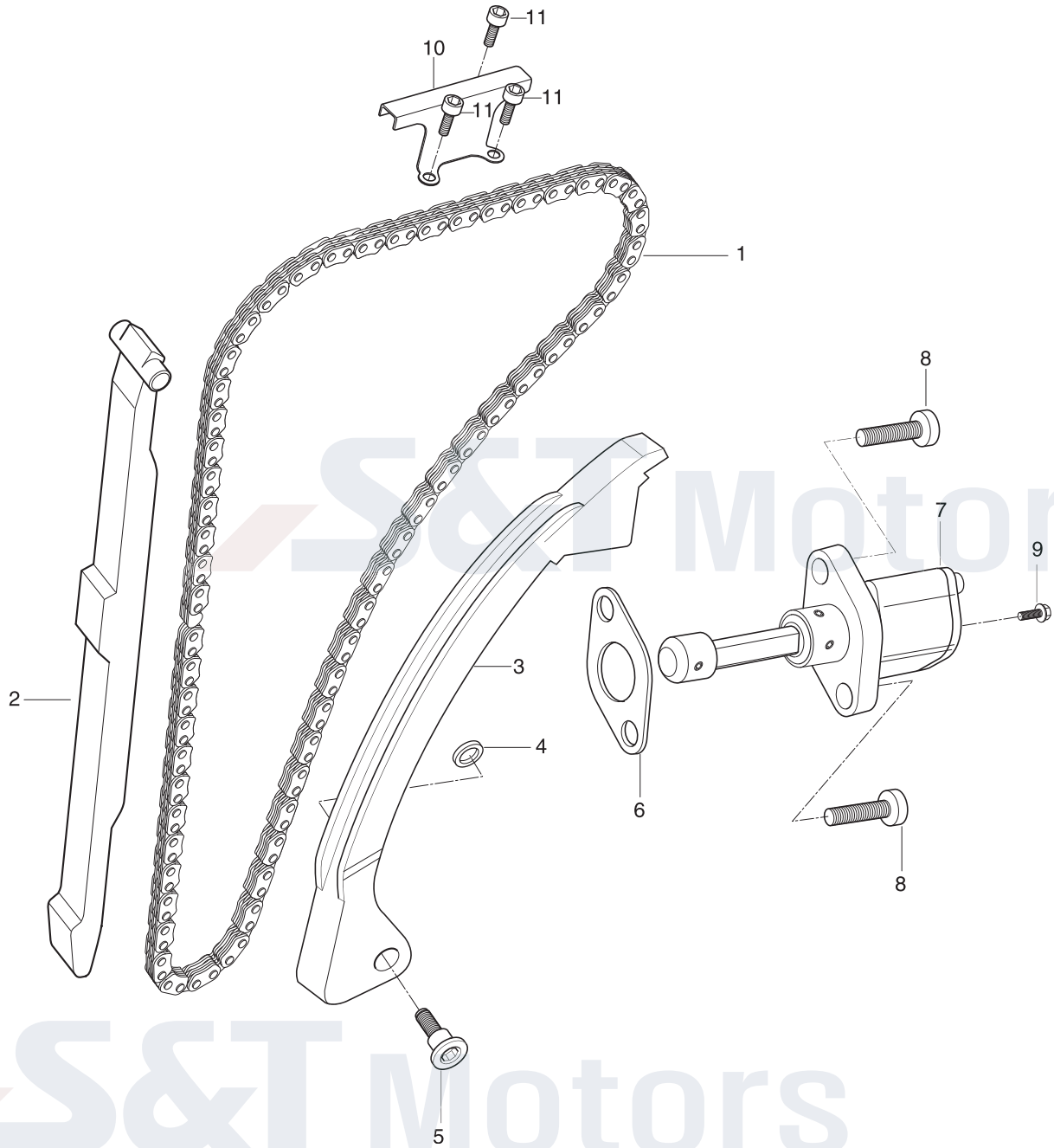
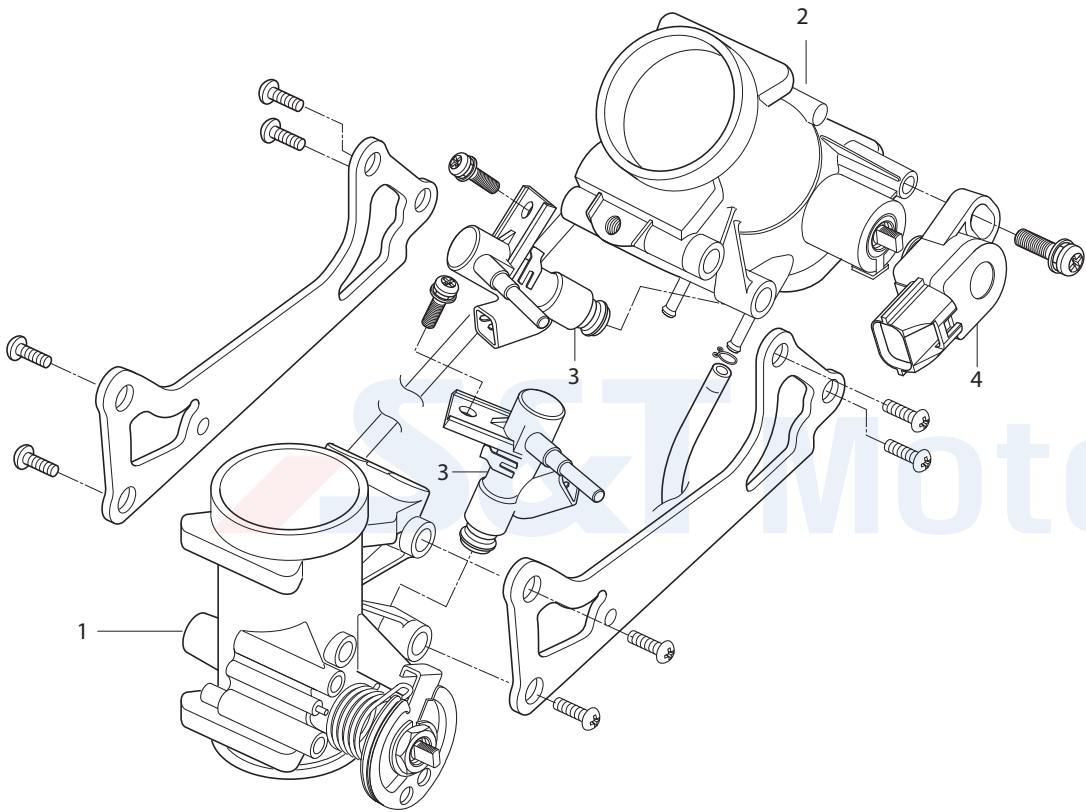


FIG 10

S&T Motors

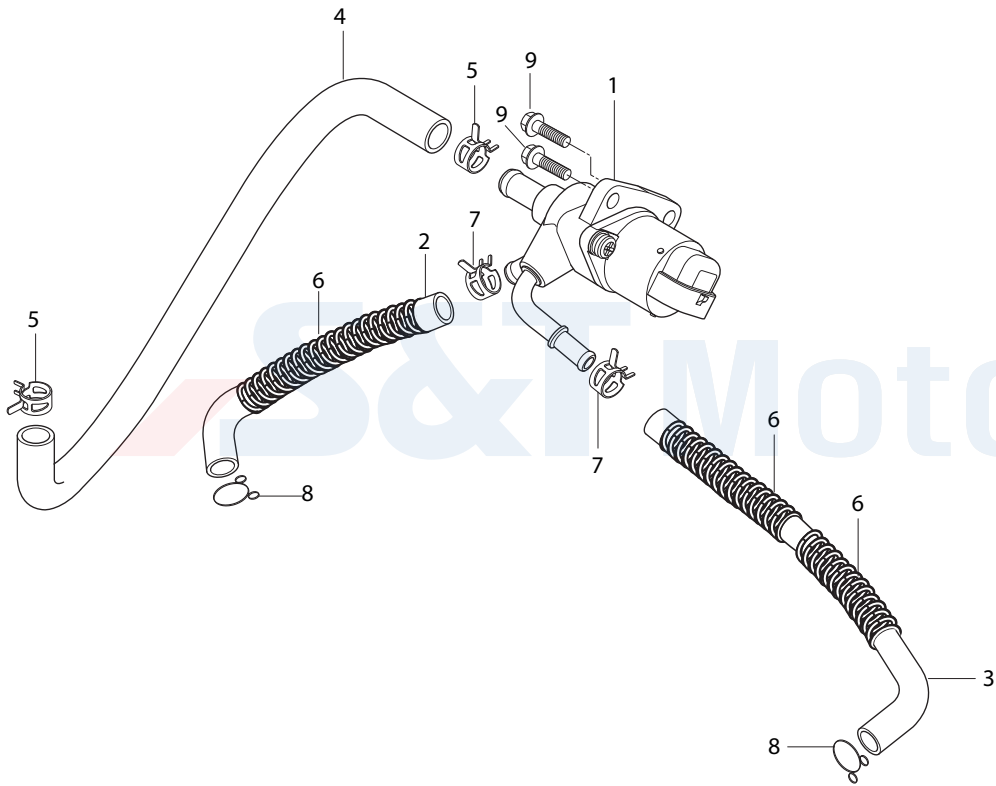


S&T Motors



FIG 11

S&T Motors



S&T Motors



FIG.12

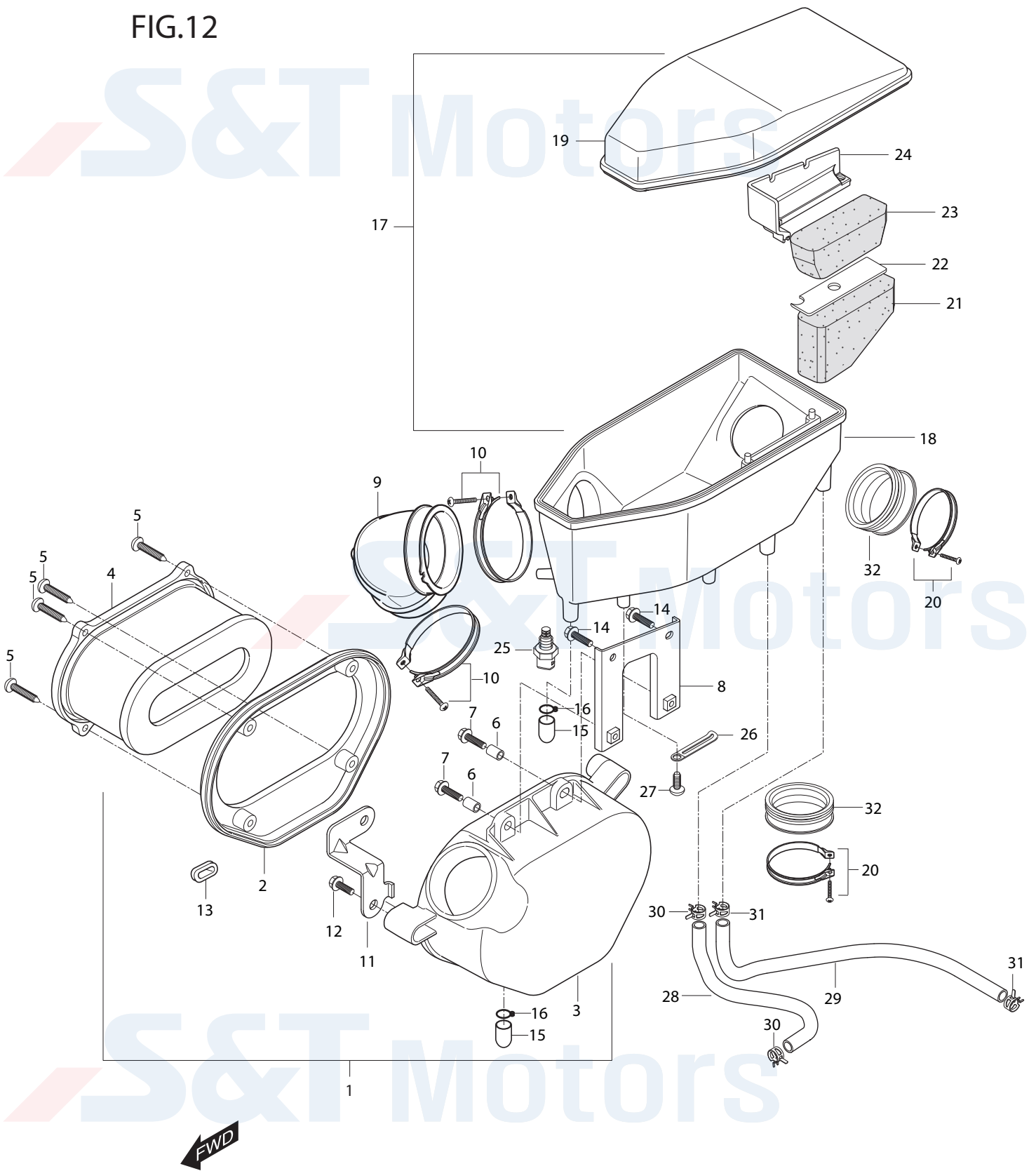


FIG.13

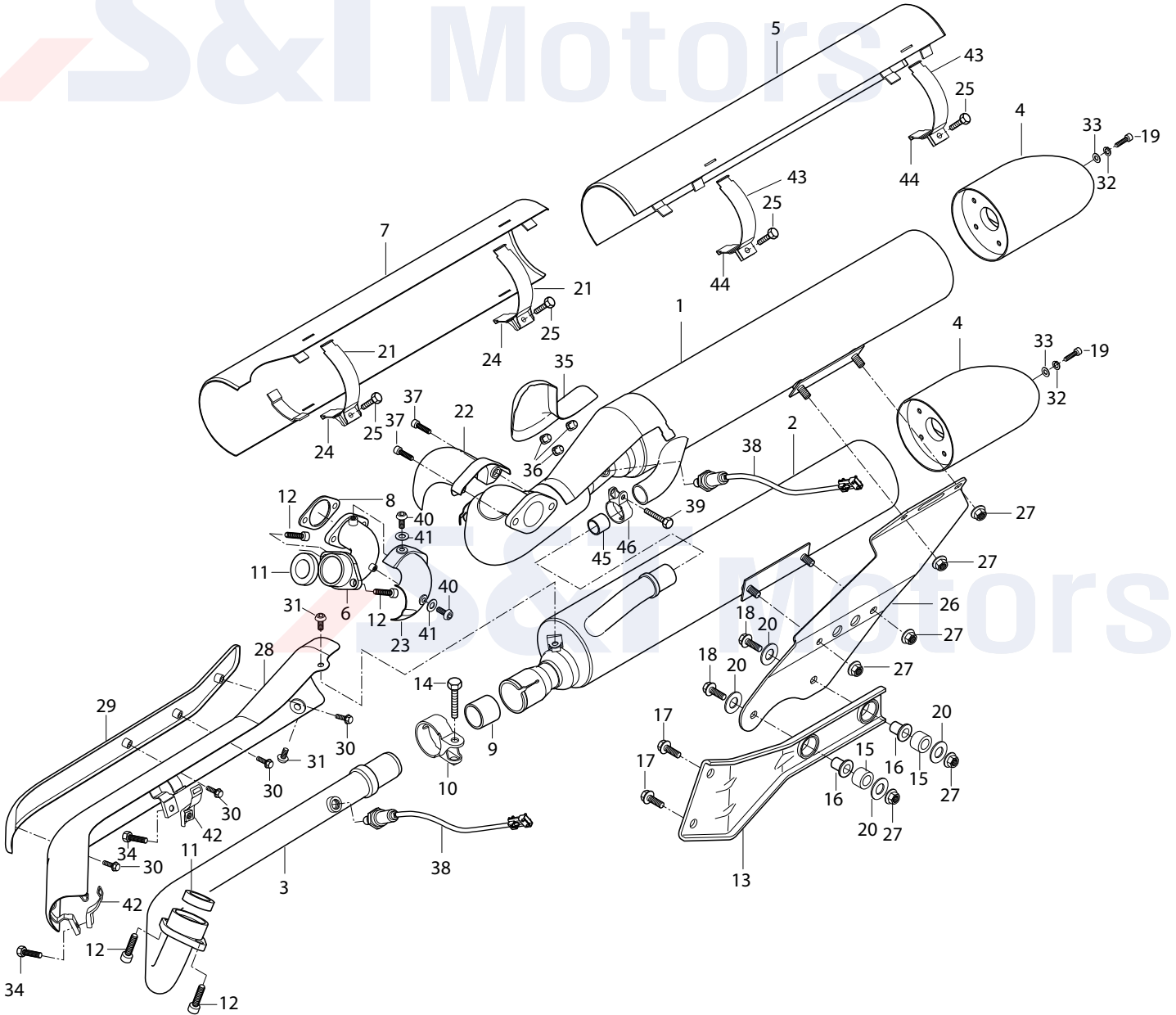


FIG 14

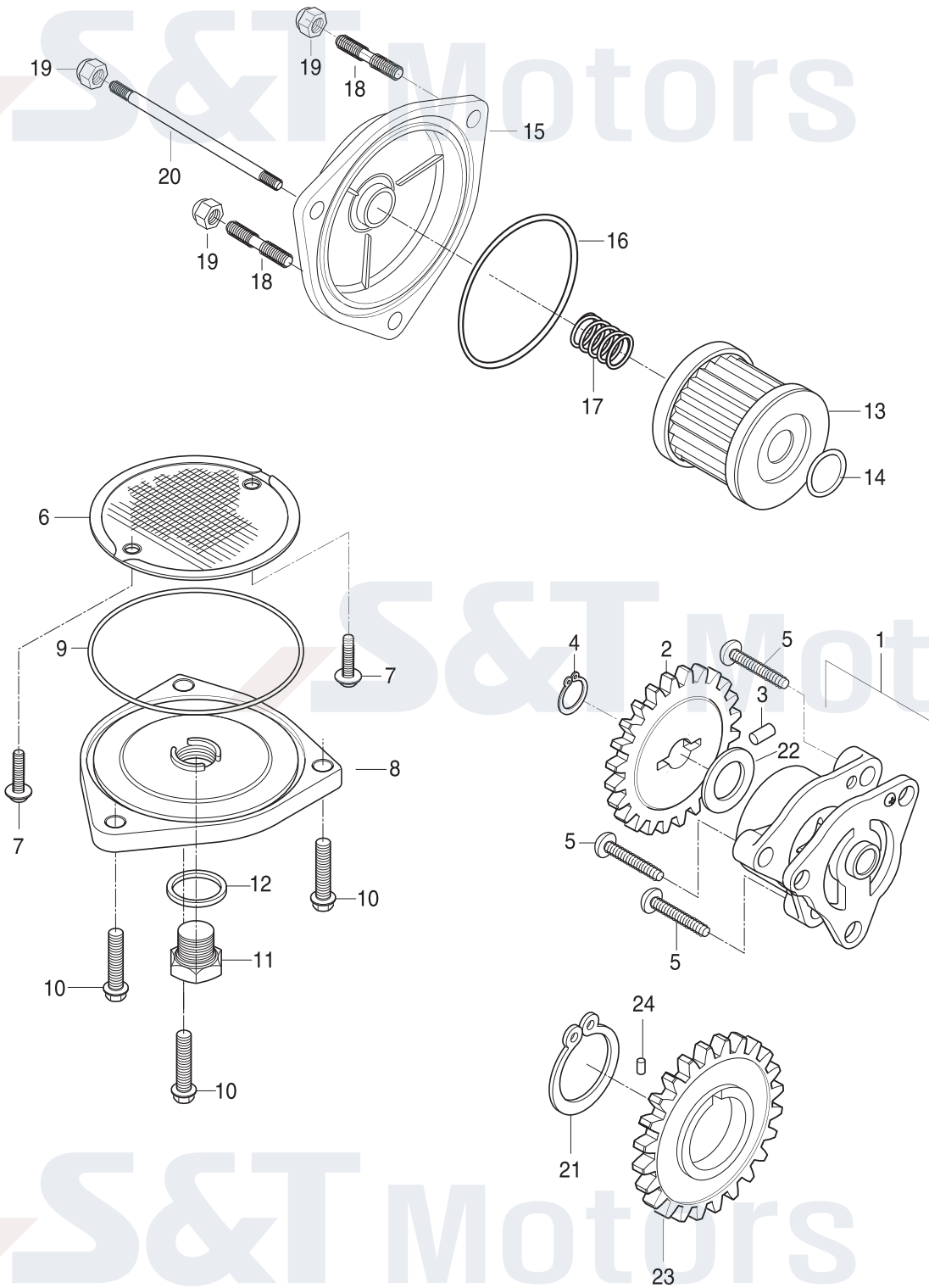
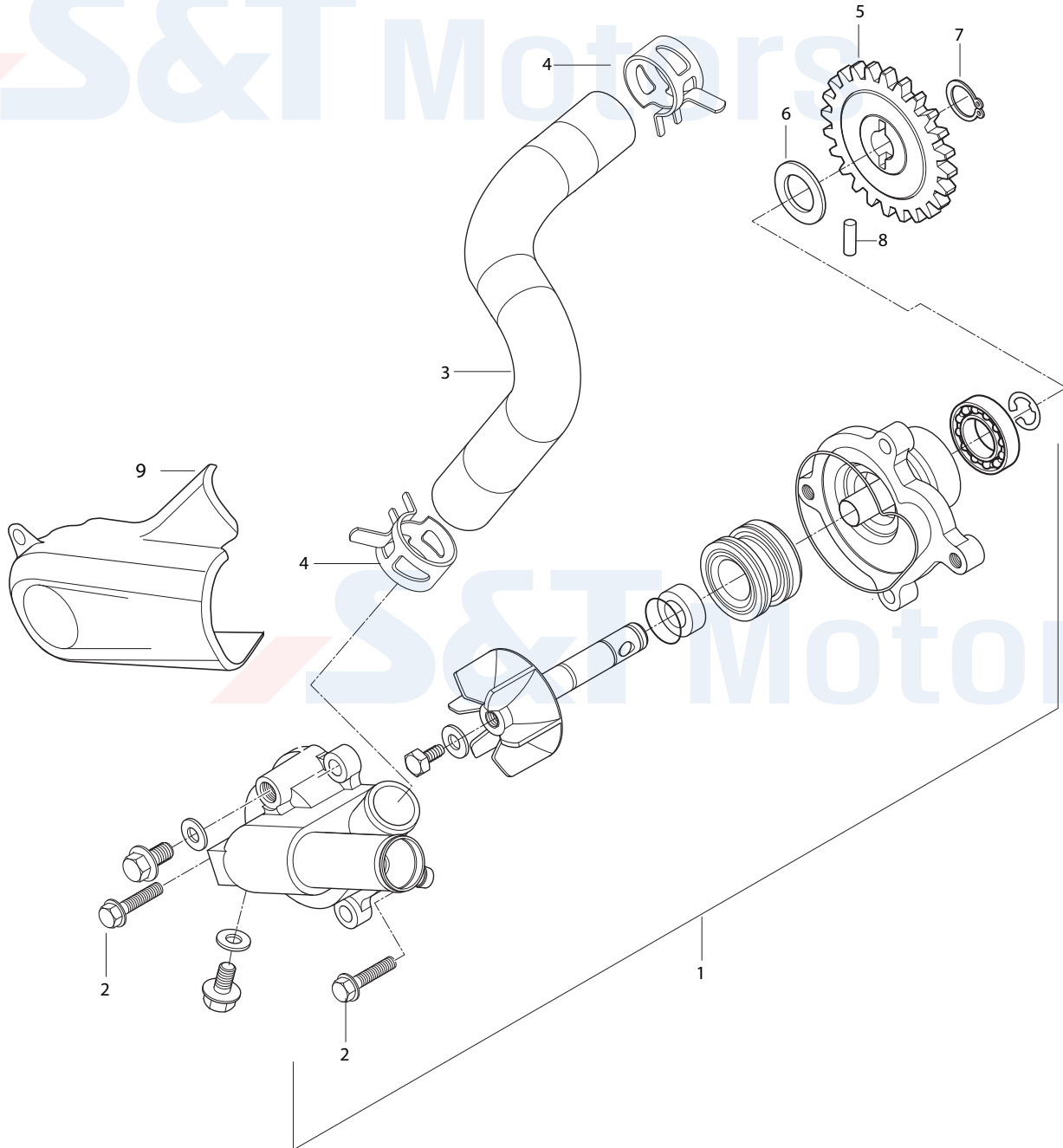


FIG.15



FWD

FIG.16

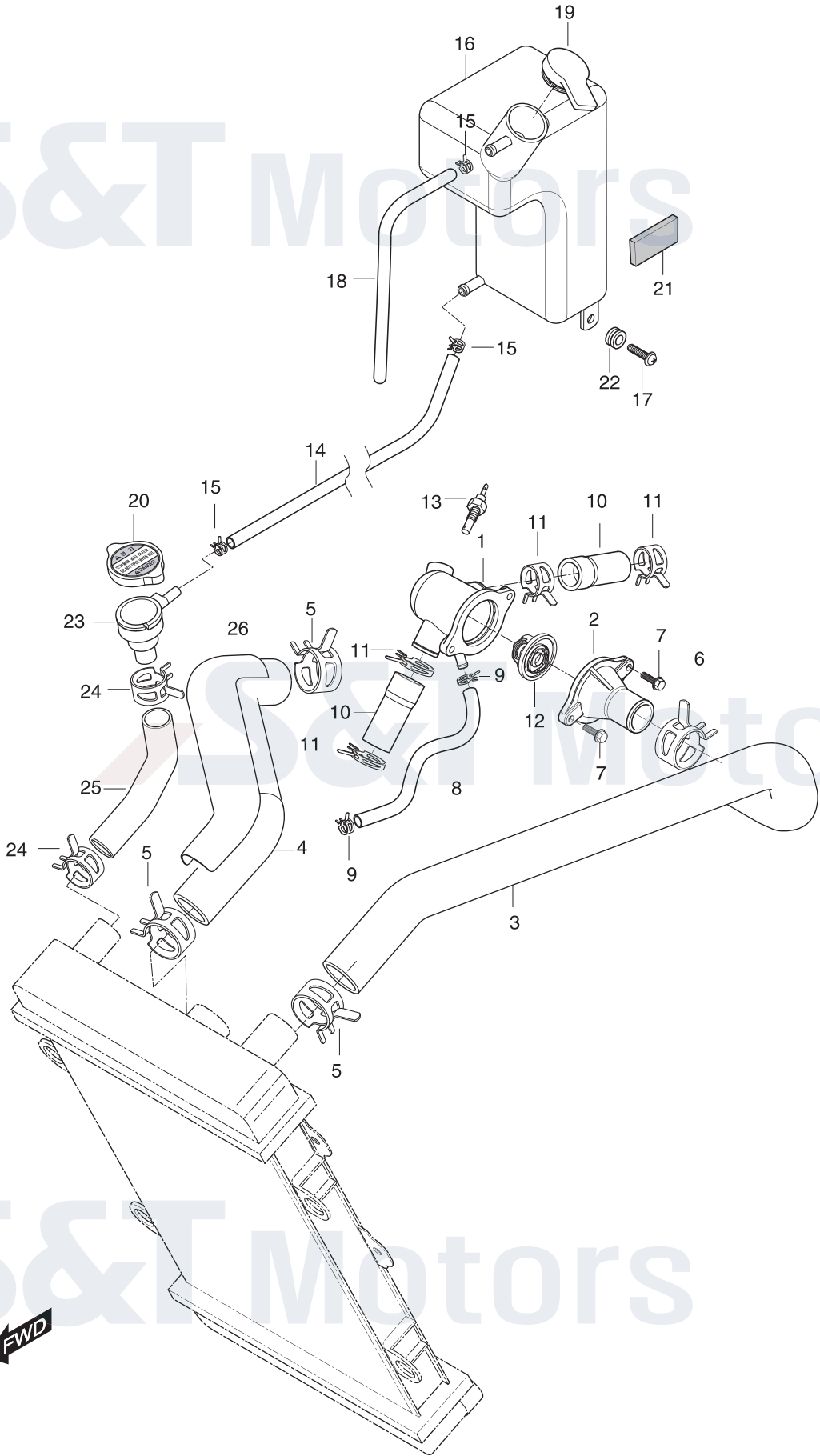
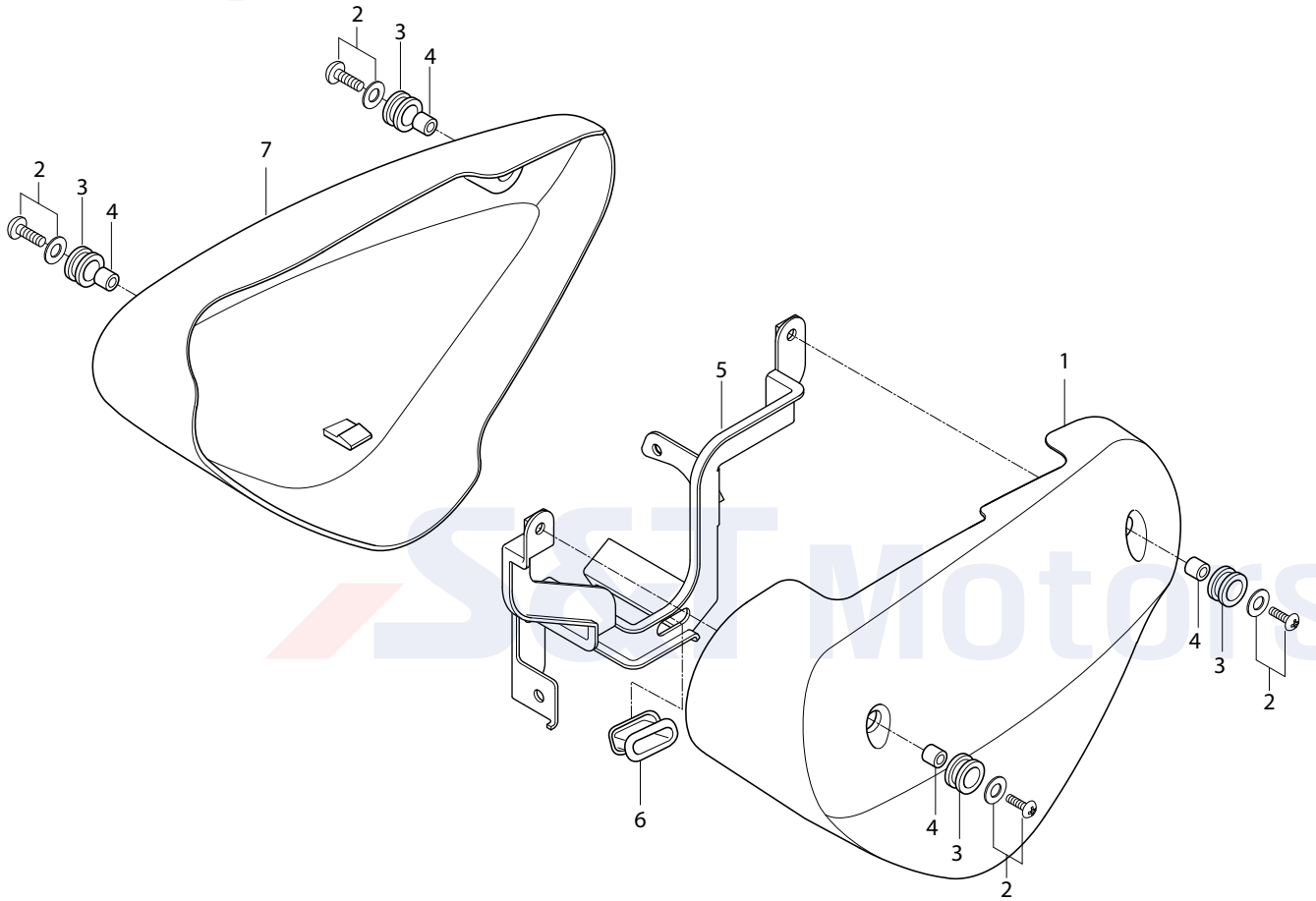


FIG.17

S&T Motors



S&T Motors



FIG 18

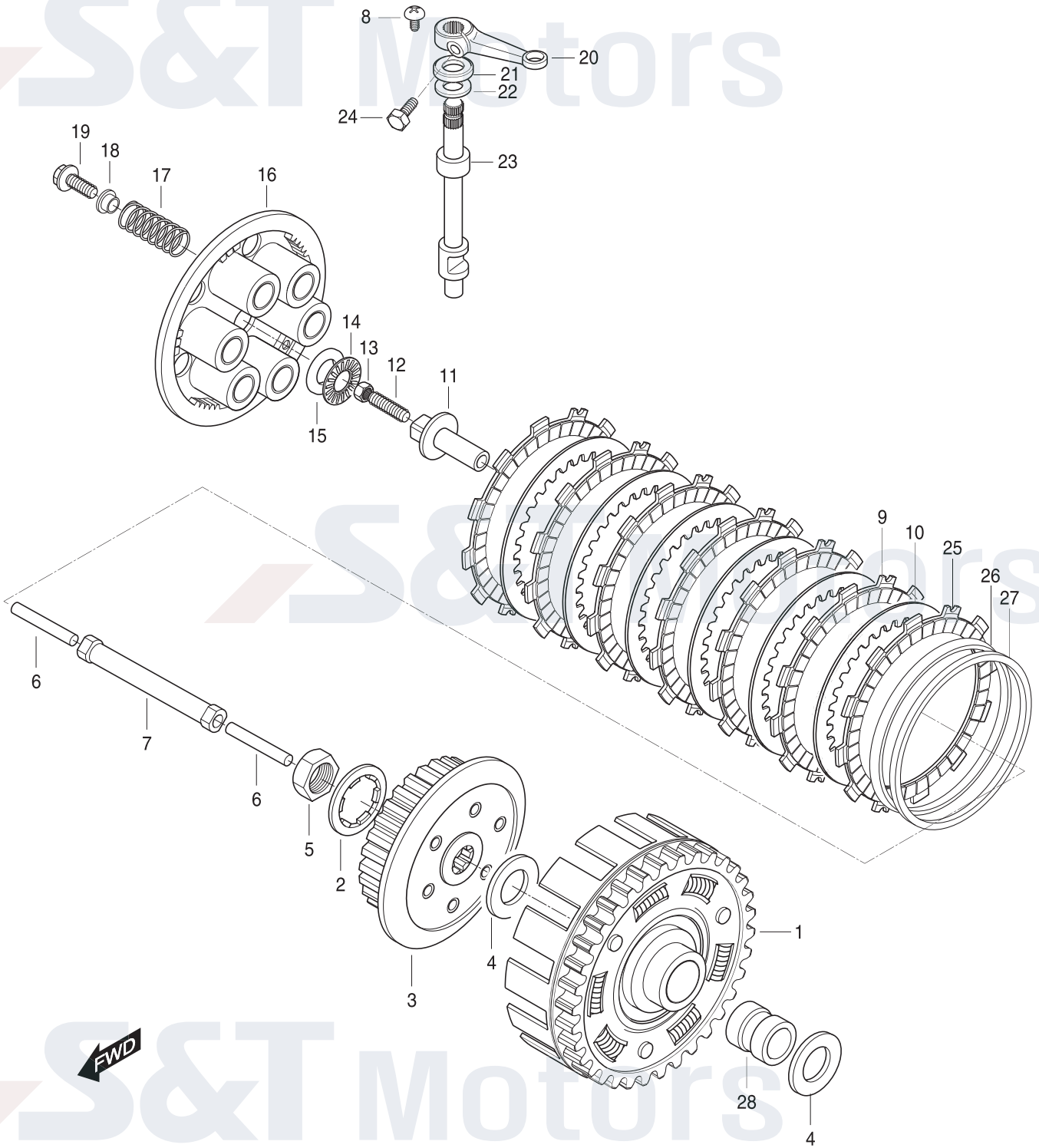


FIG.19

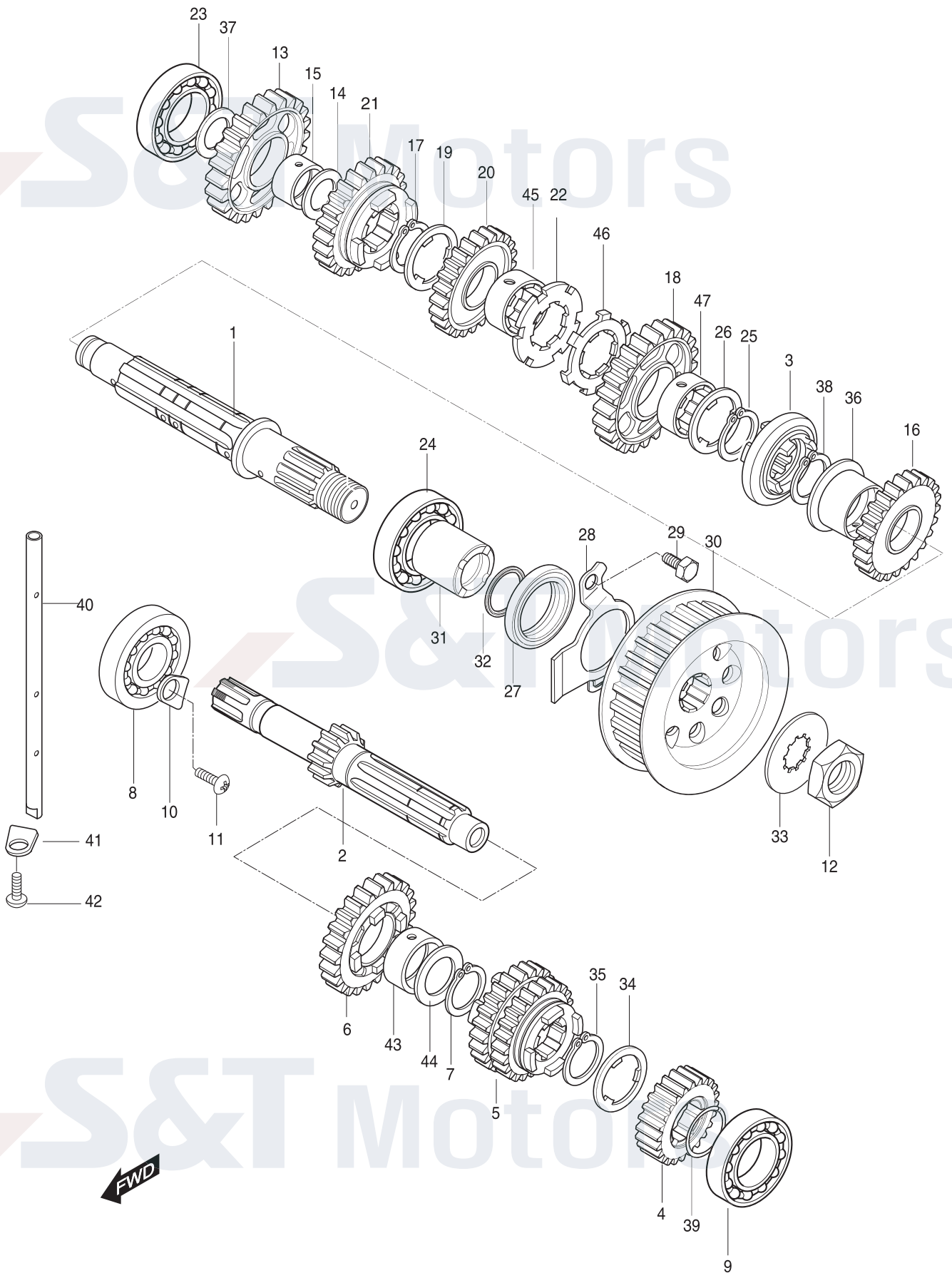


FIG 20

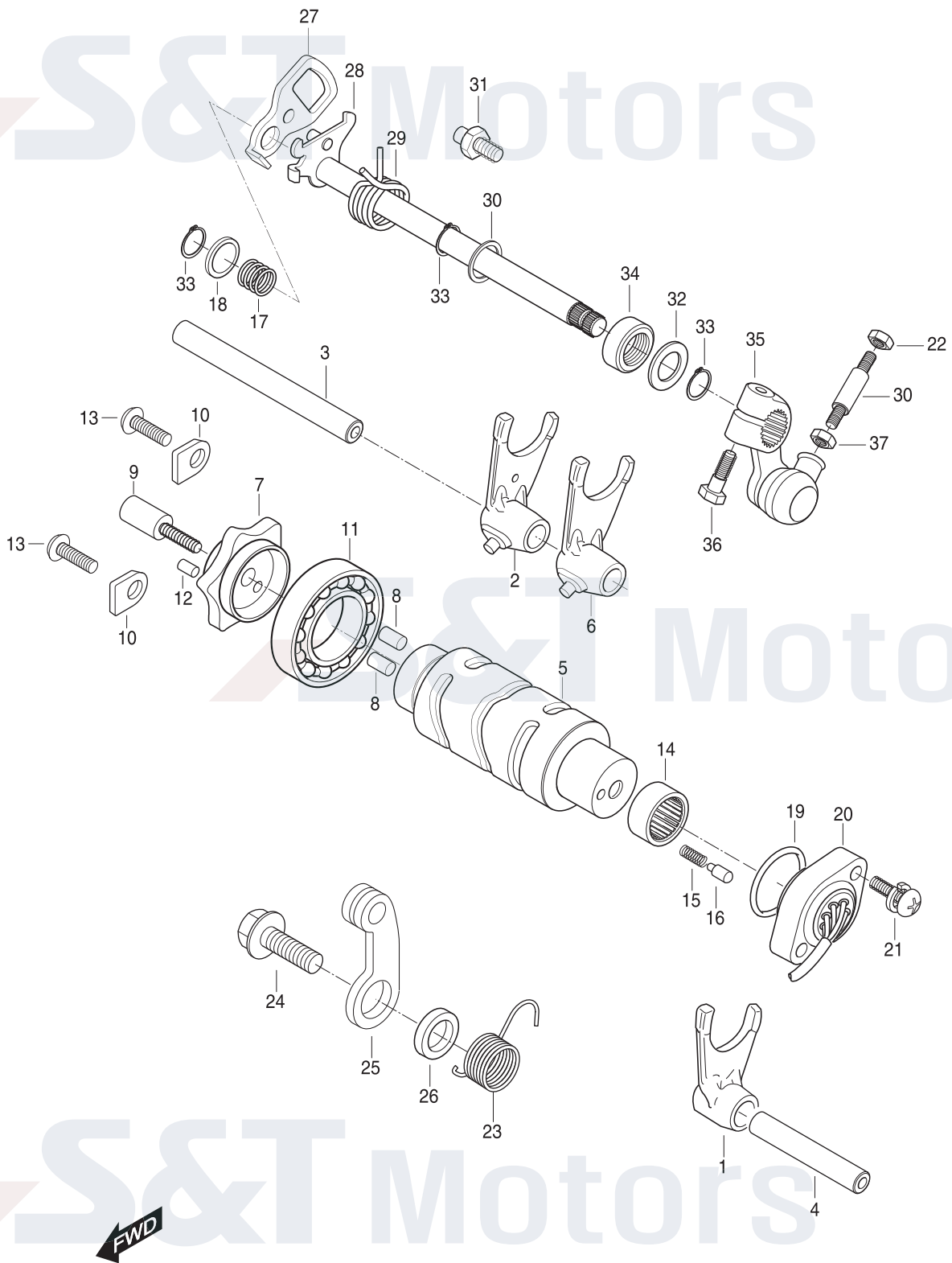


FIG 21

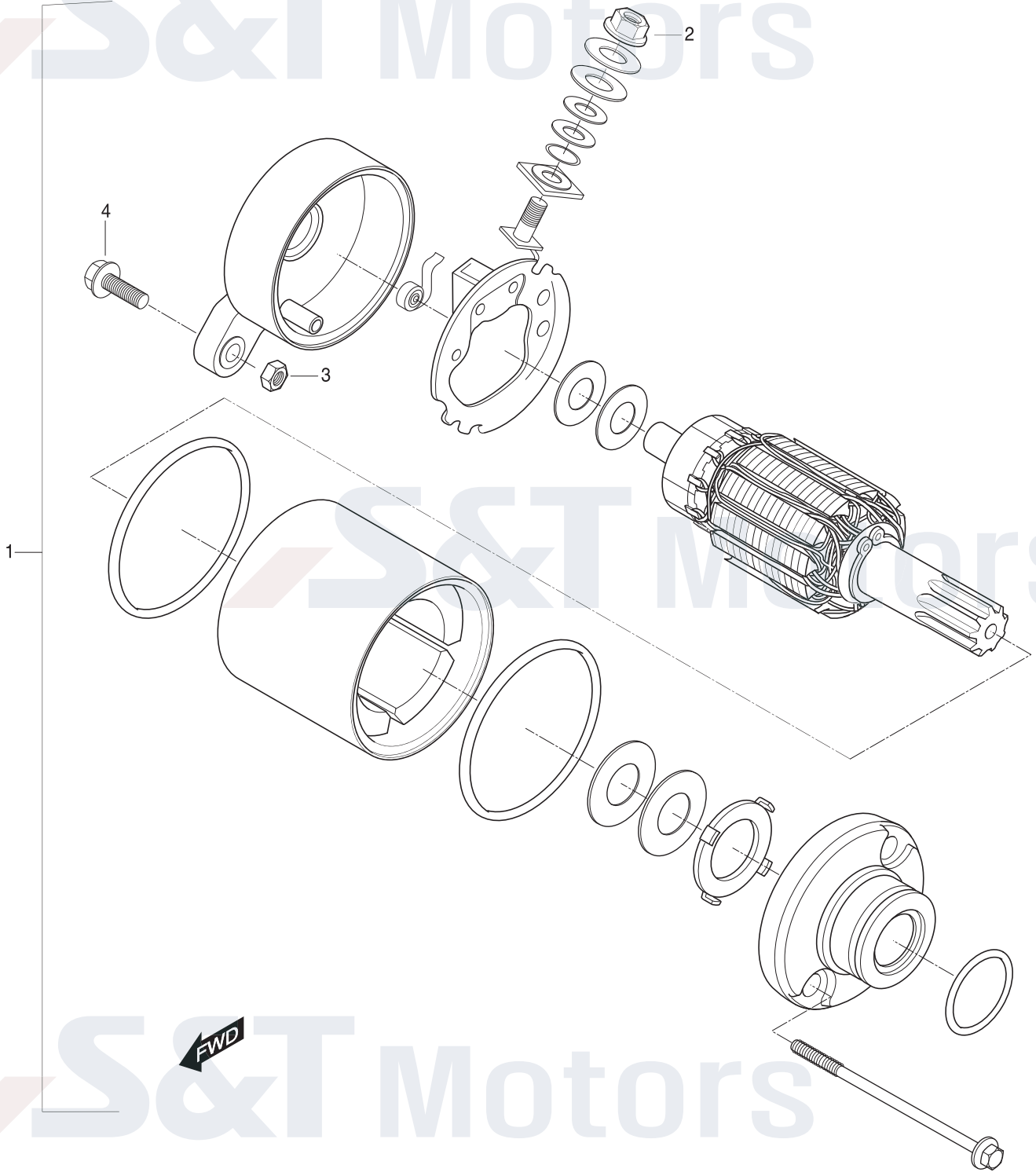
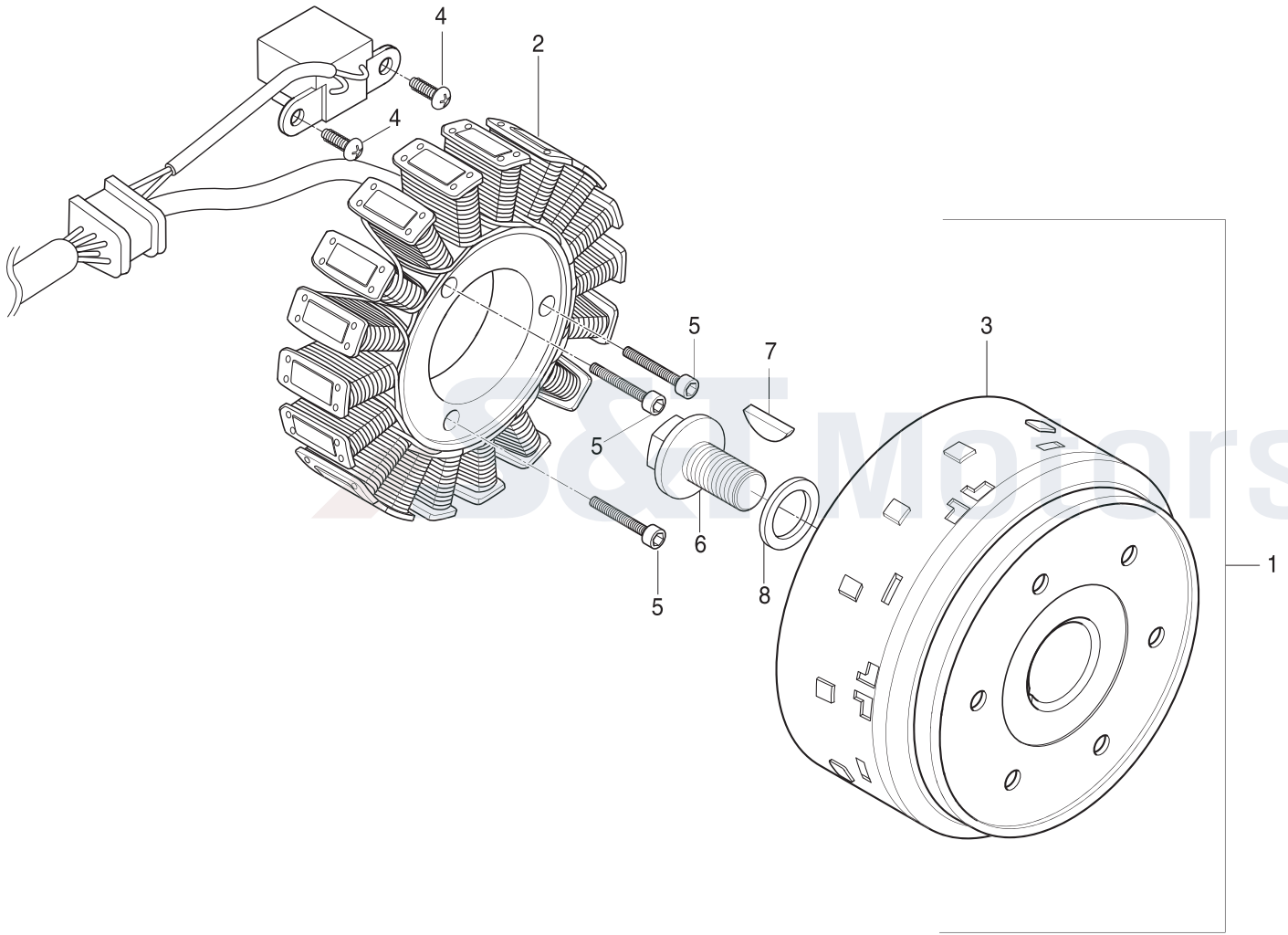


FIG 22

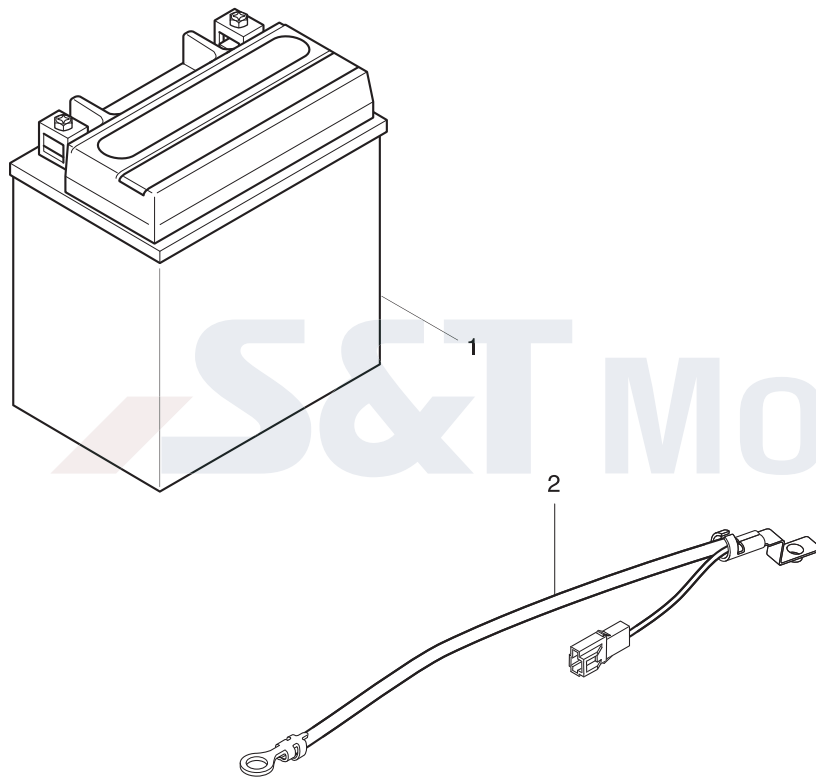
S&T Motors



S&T Motors

FIG 23

S&T Motors



S&T Motors



FIG 24

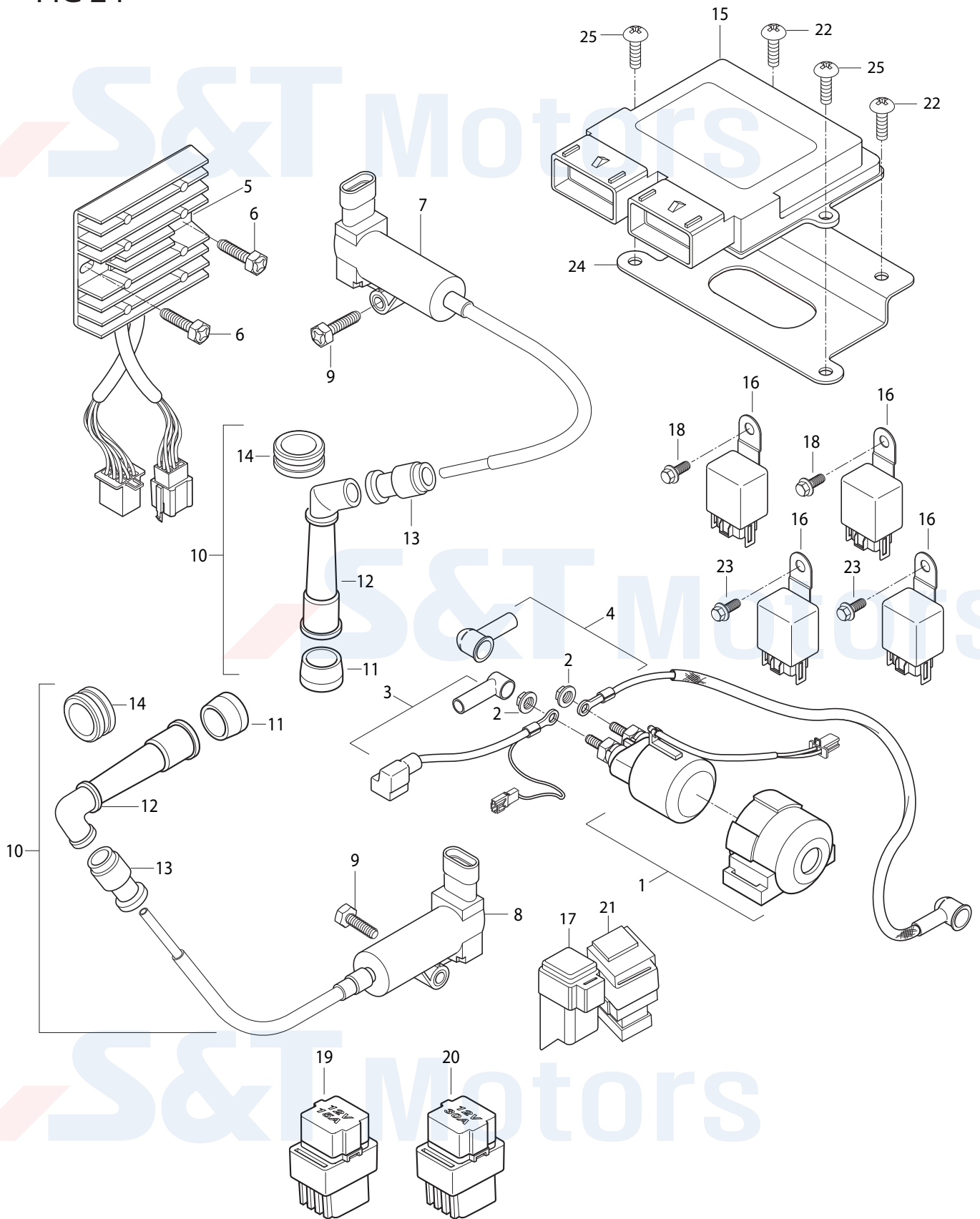


FIG 25

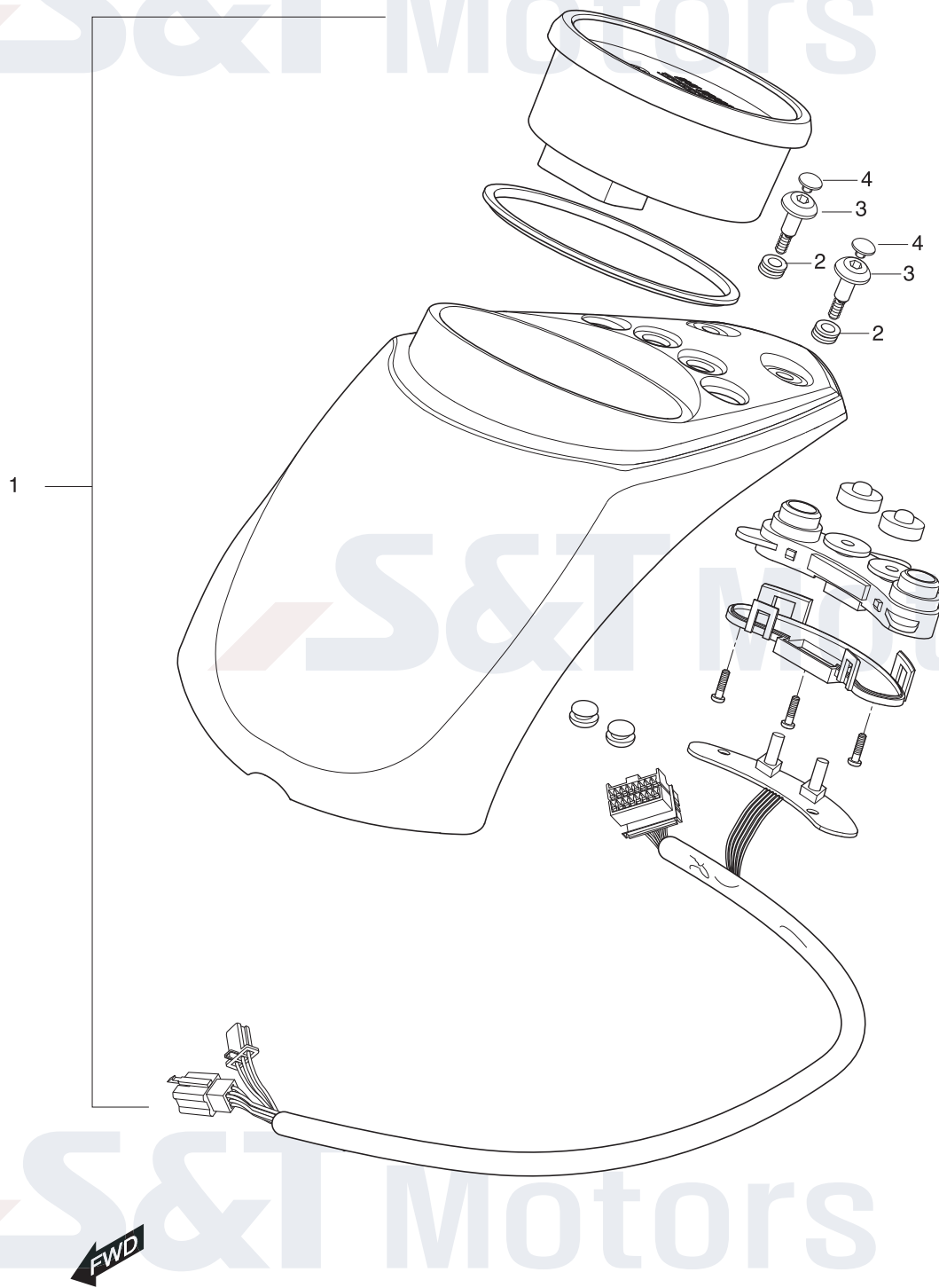
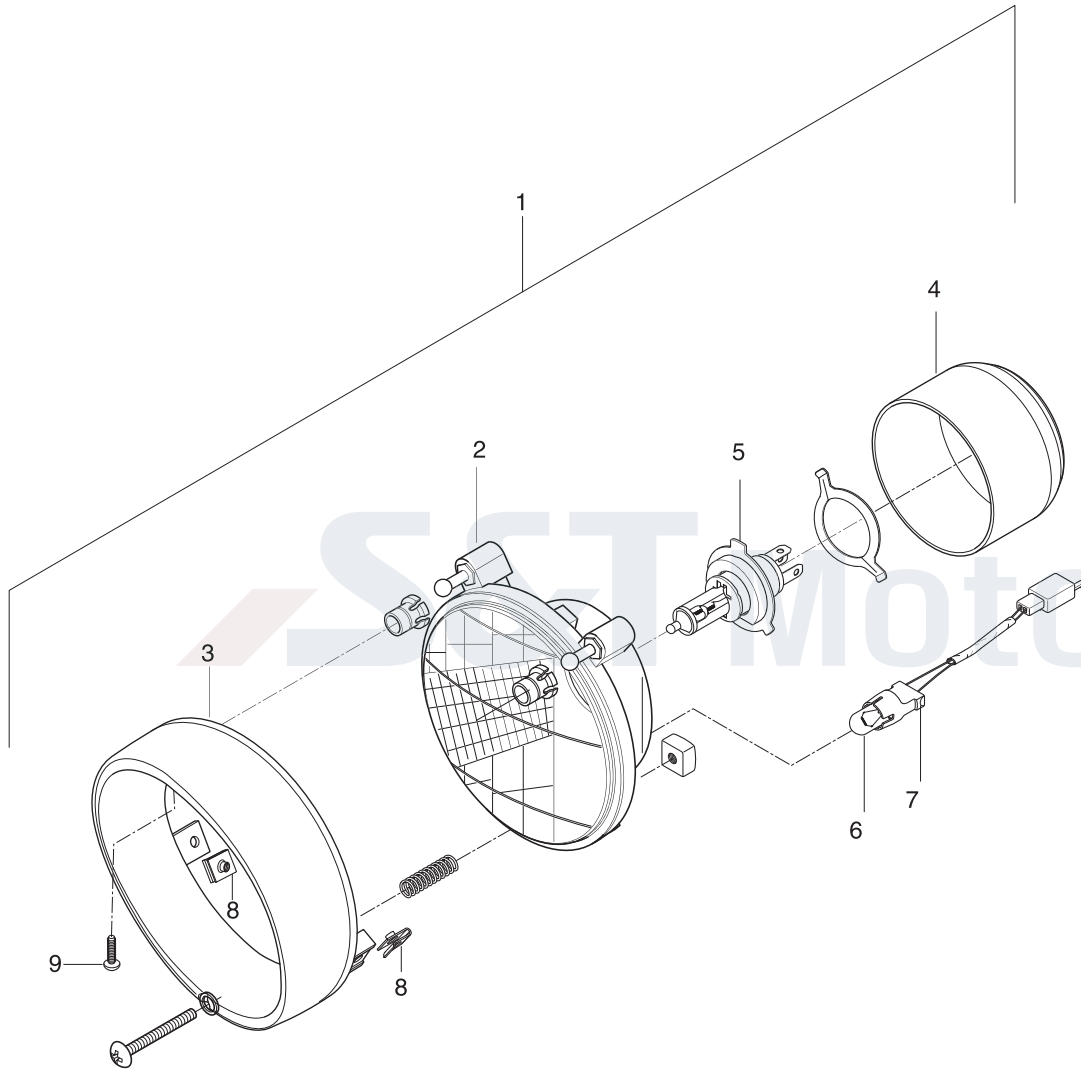


FIG.26

S&T Motors



S&T Motors



FIG.27

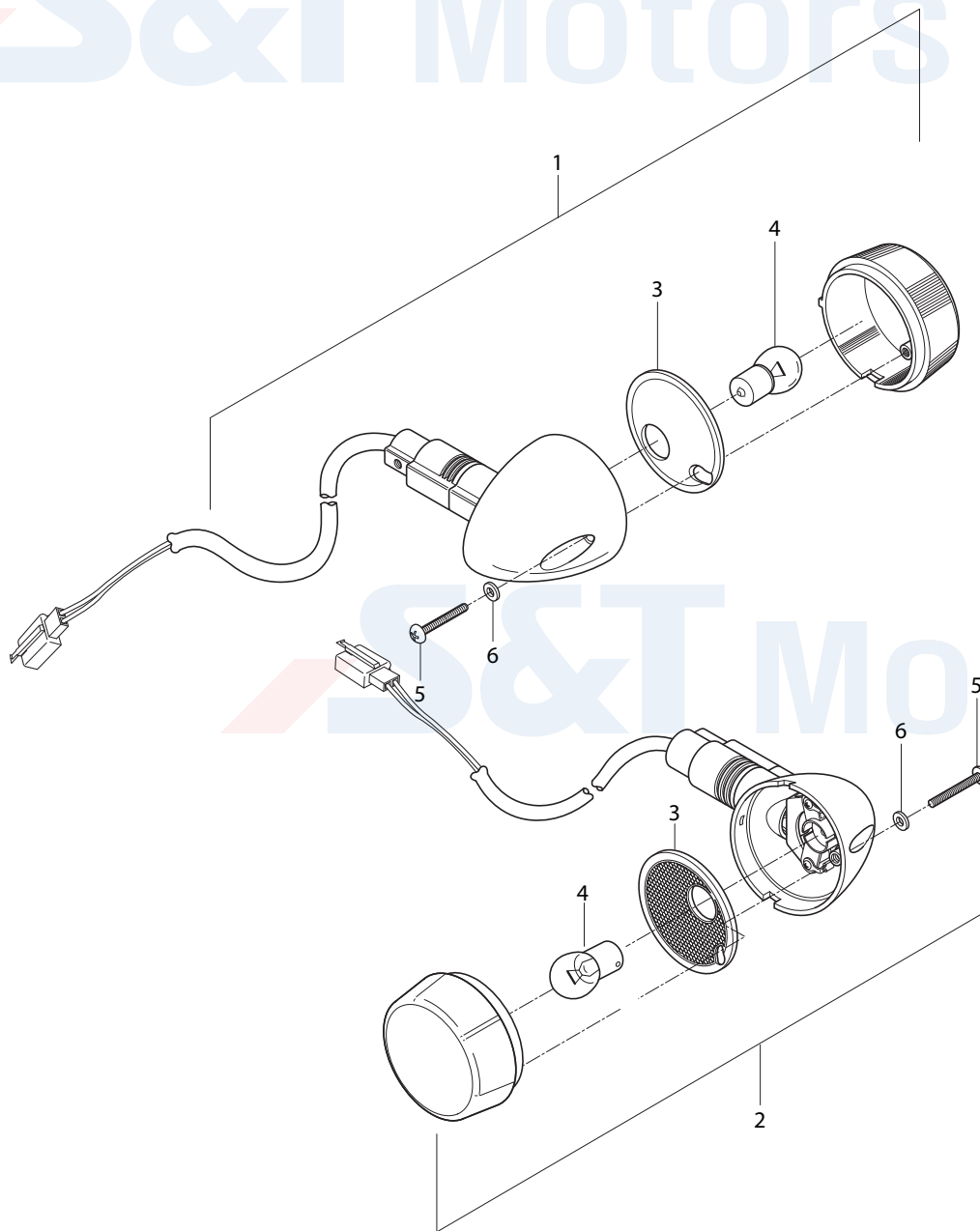
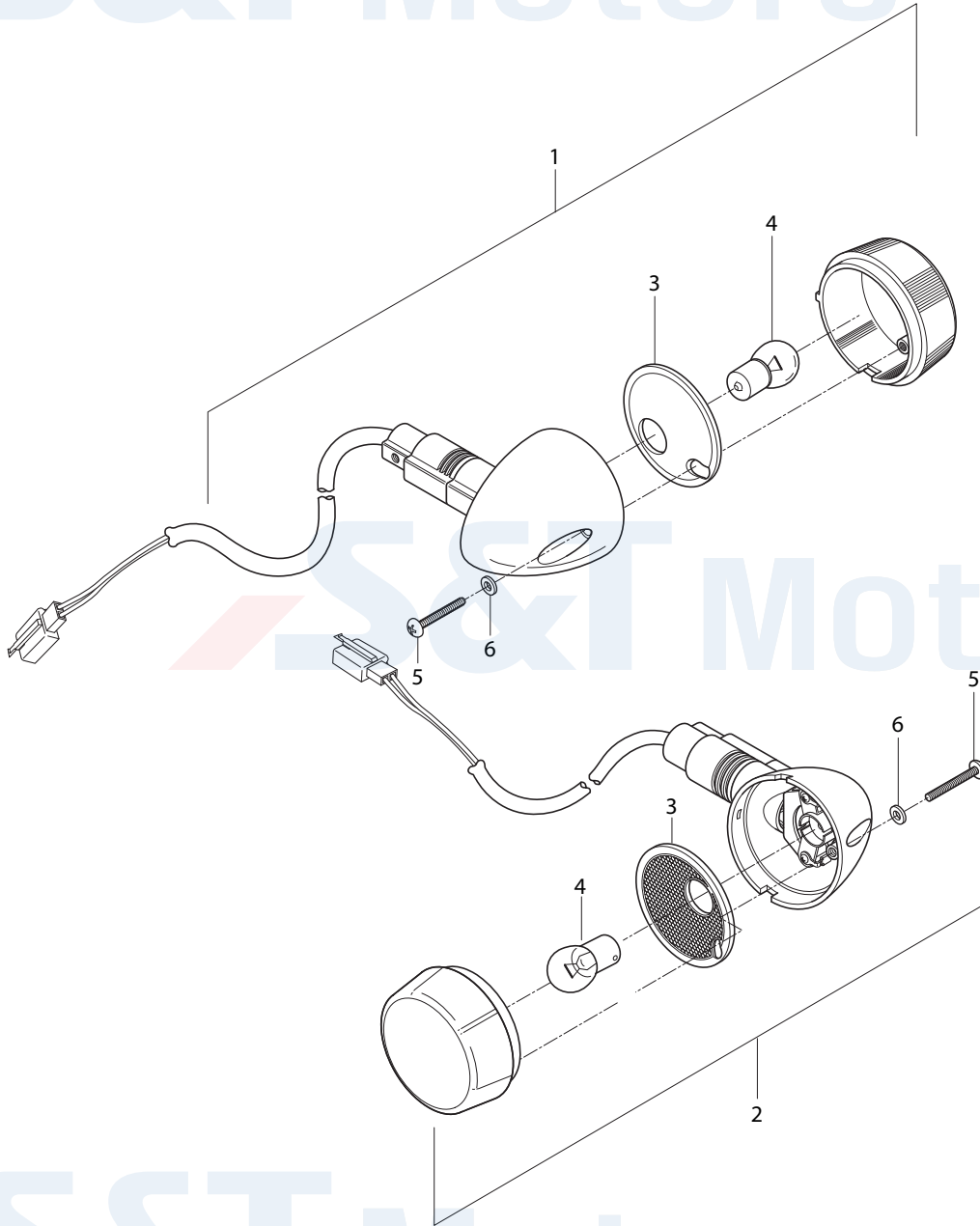


FIG.27-1

S&T Motors



S&T Motors

FIG.28

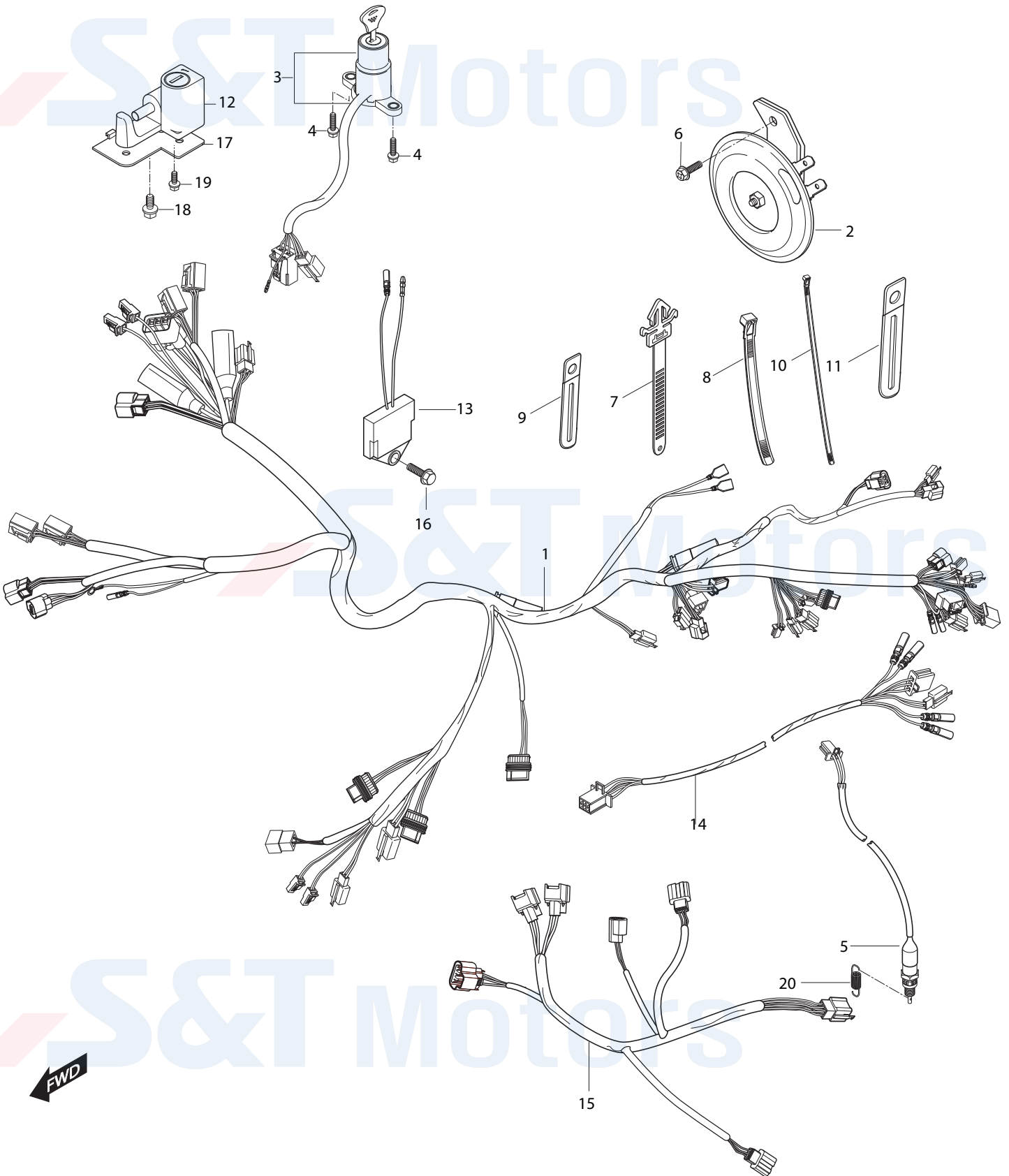
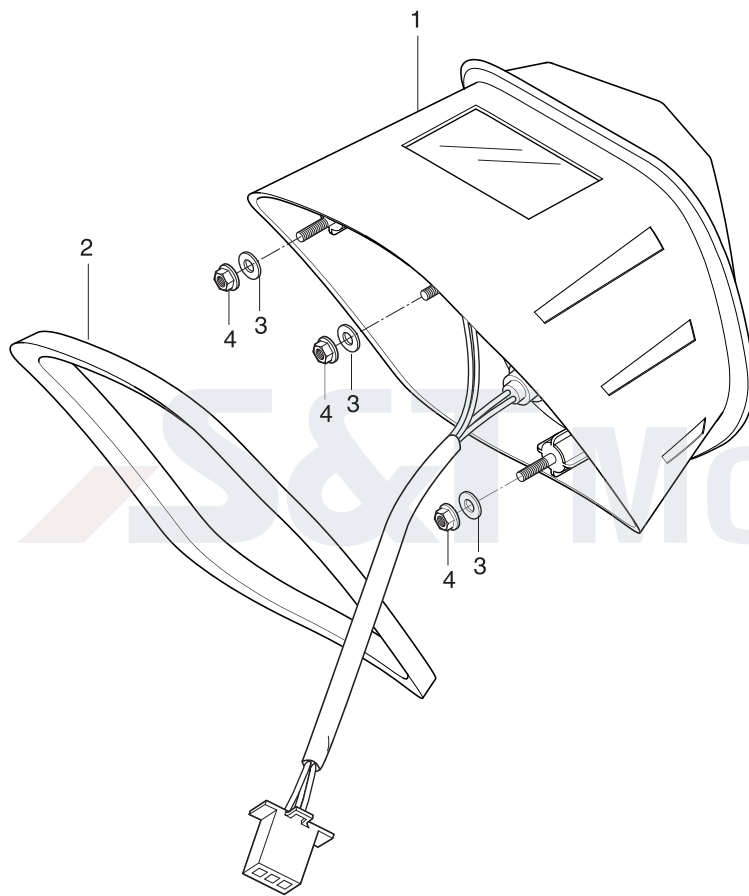


FIG 29

S&T Motors



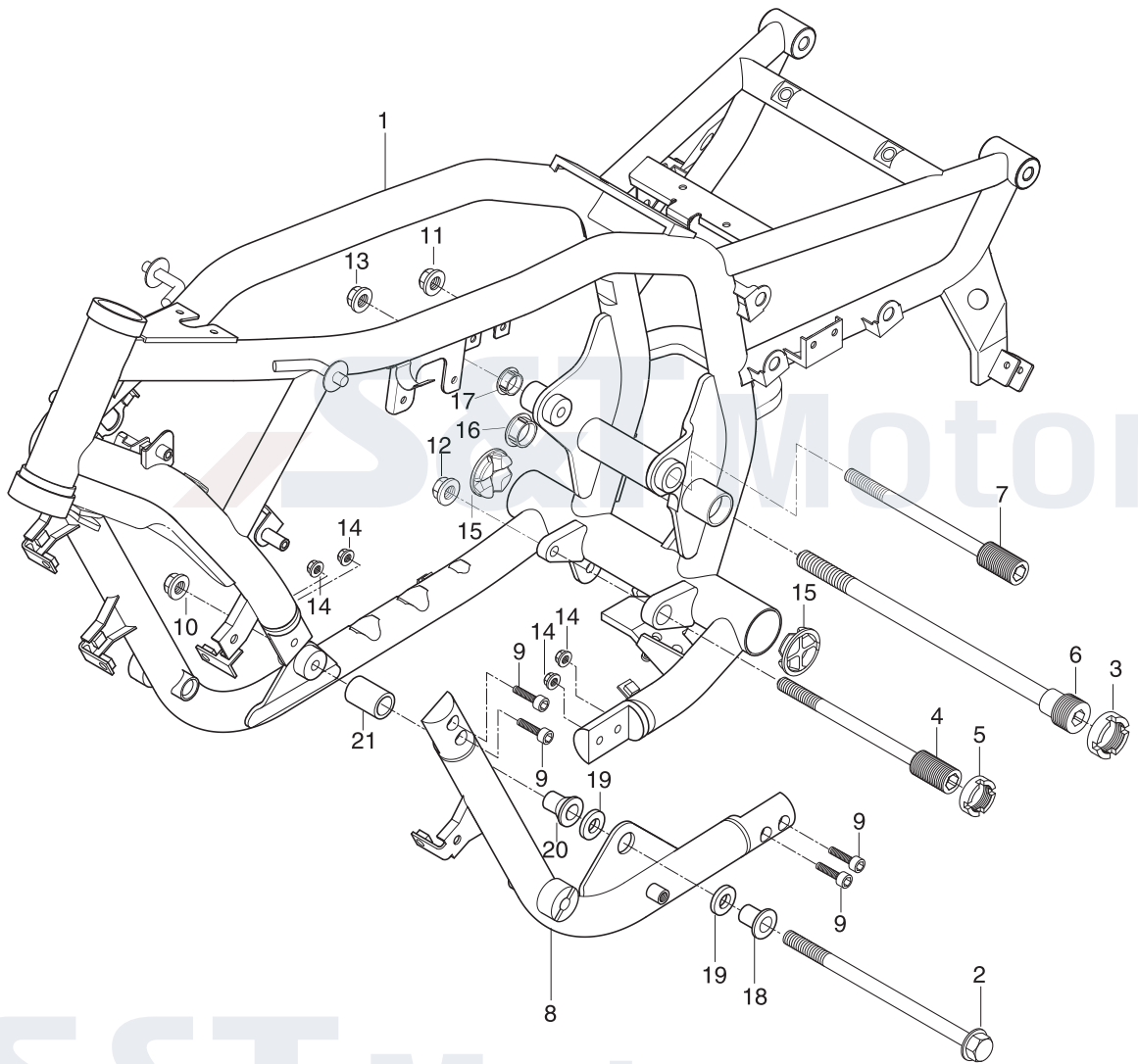
S&T Motors

S&T Motors



FIG 30

S&T Motors

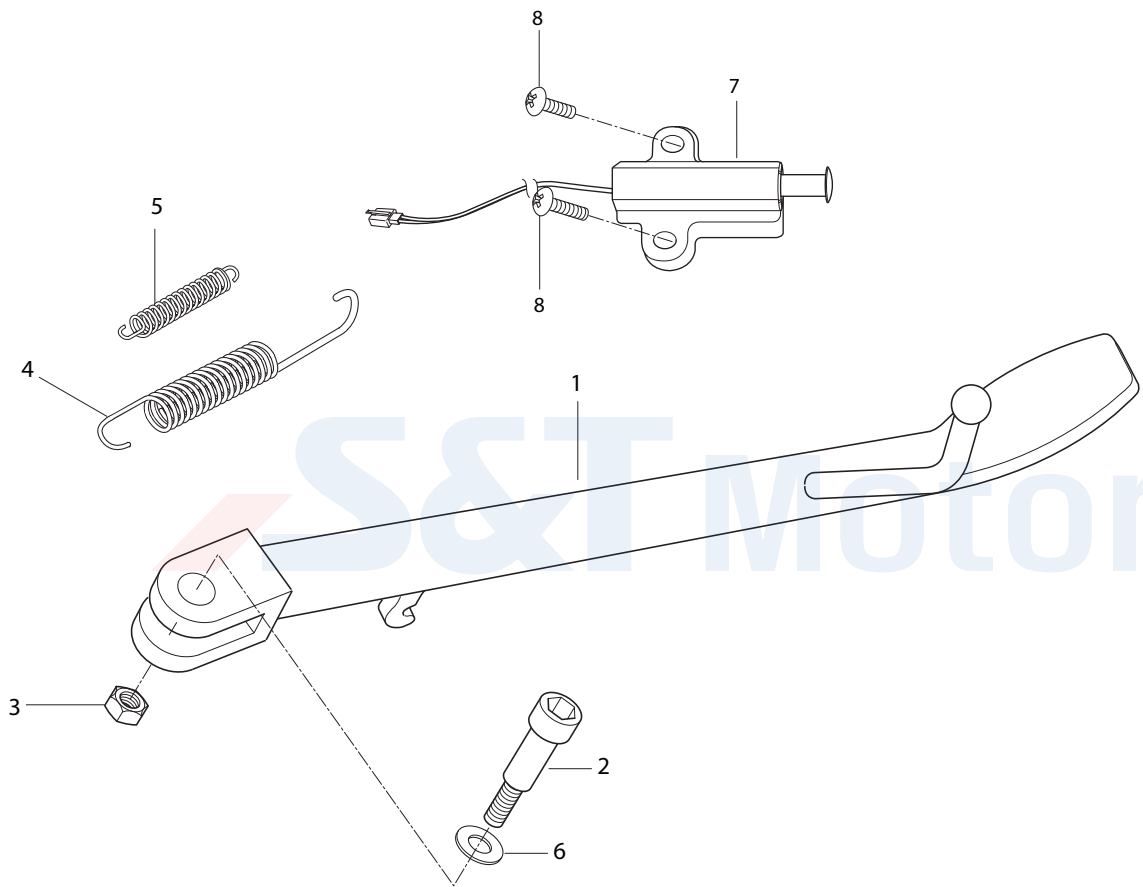


FWD

S&T Motors

FIG 31

S&T Motors

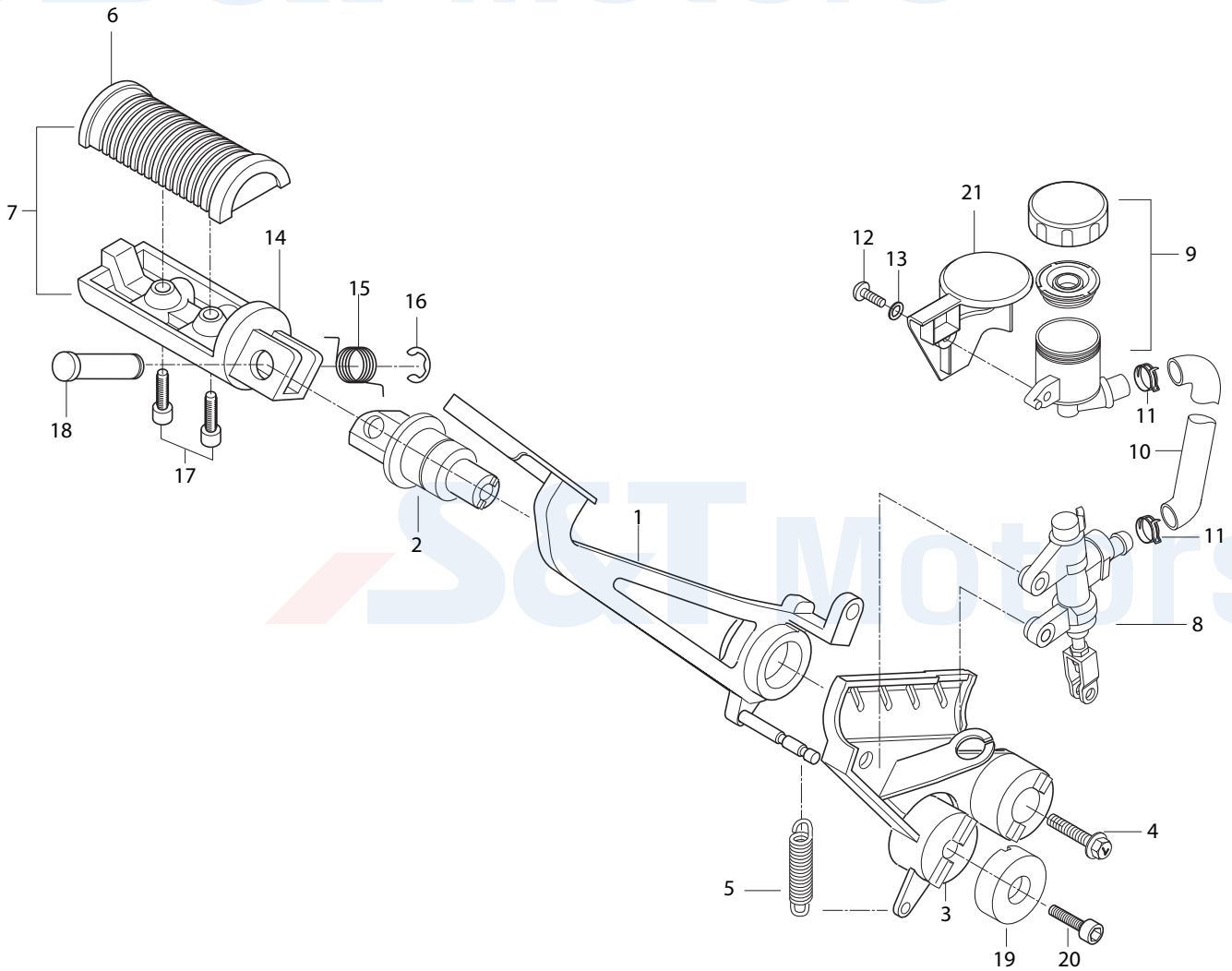


S&T Motors



FIG 32

S&T Motors



S&T Motors

FWD

FIG 33

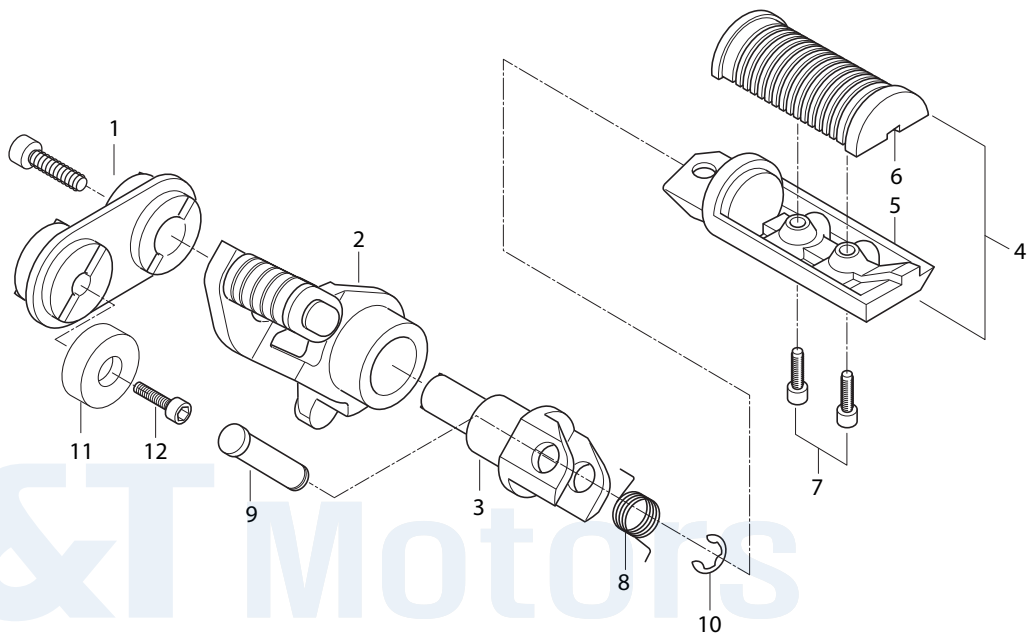
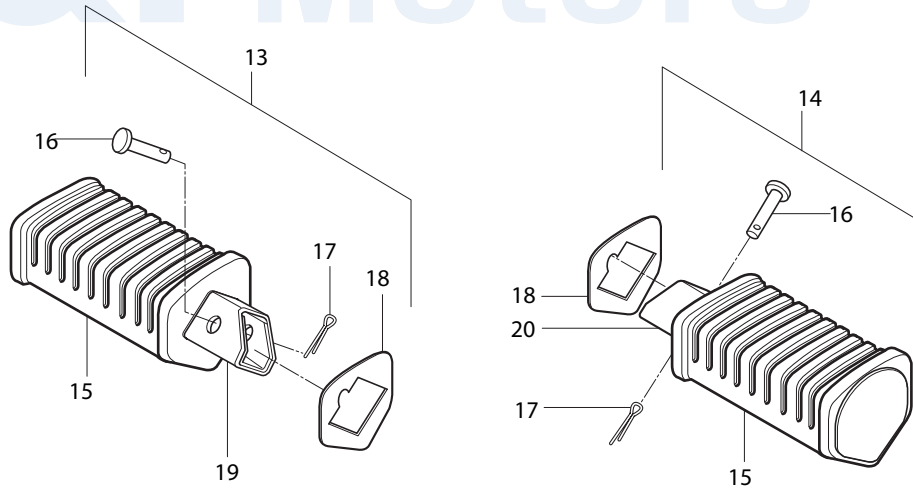
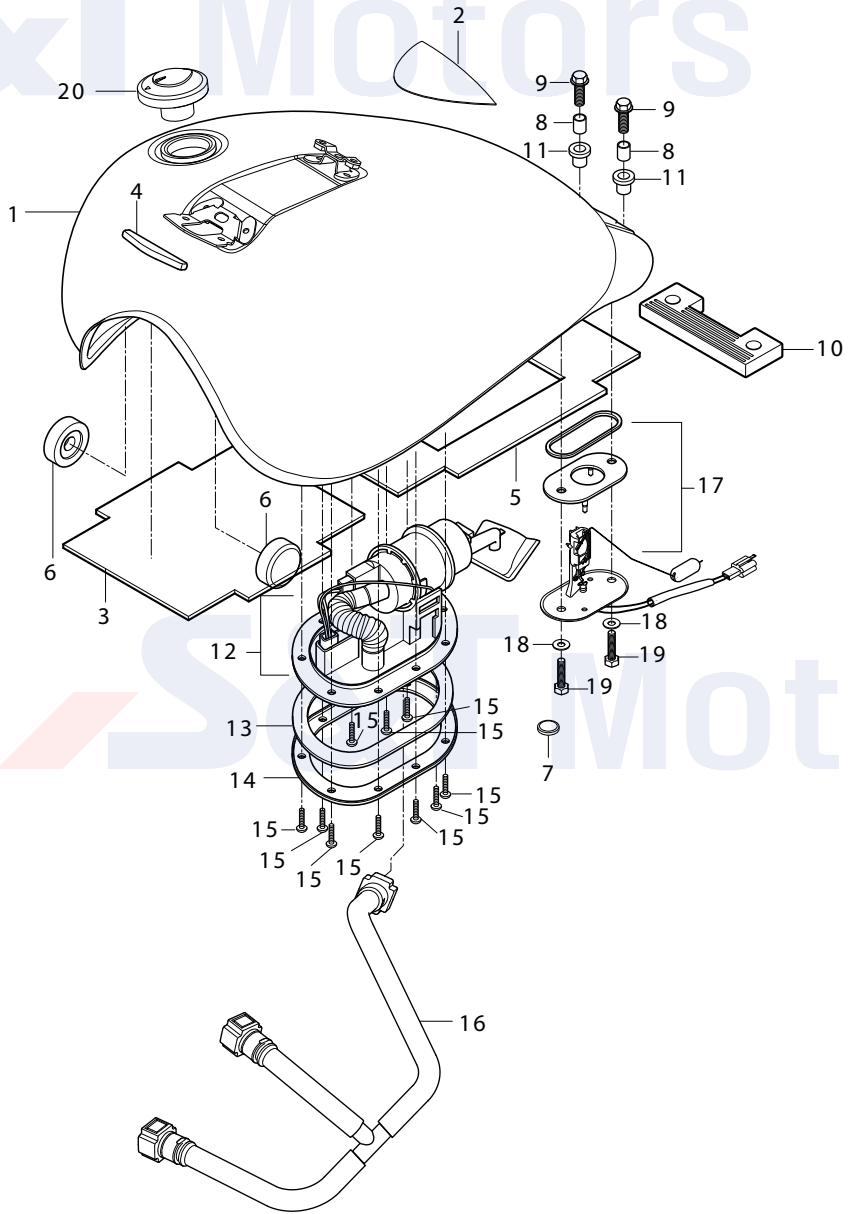


FIG 34



FWD

FIG 35

S&T Motors

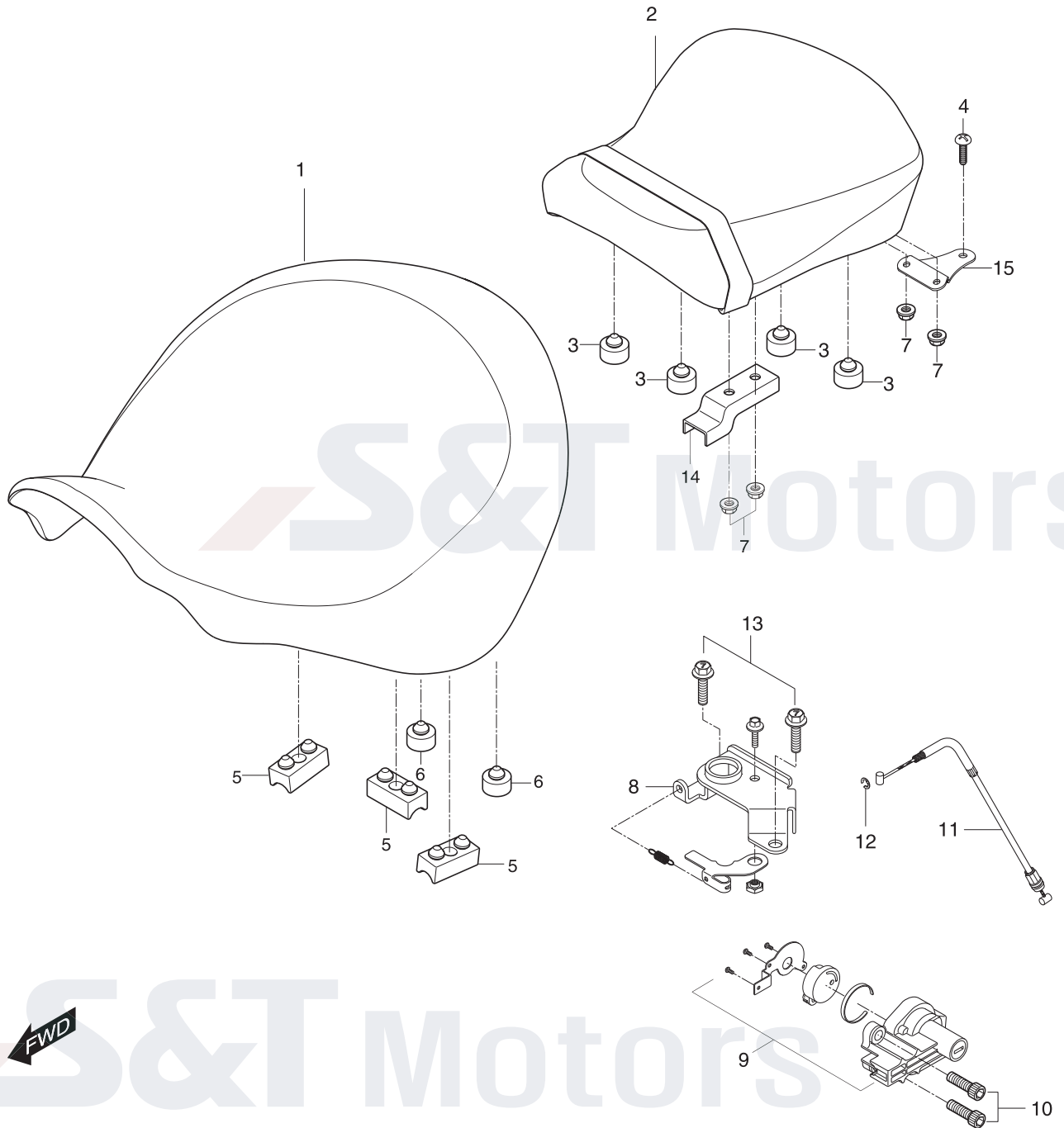
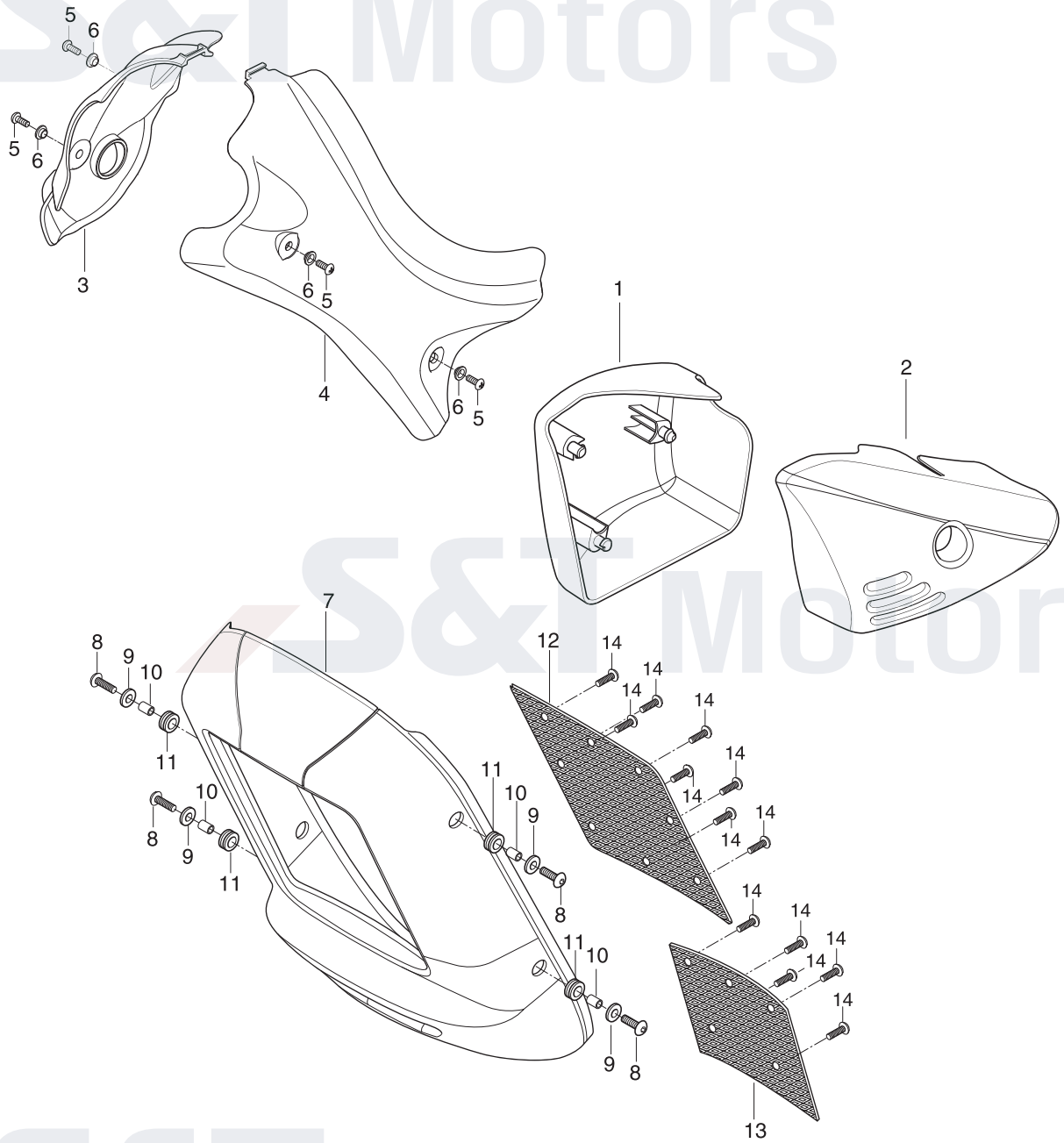


FIG 36



FWD

FIG 37

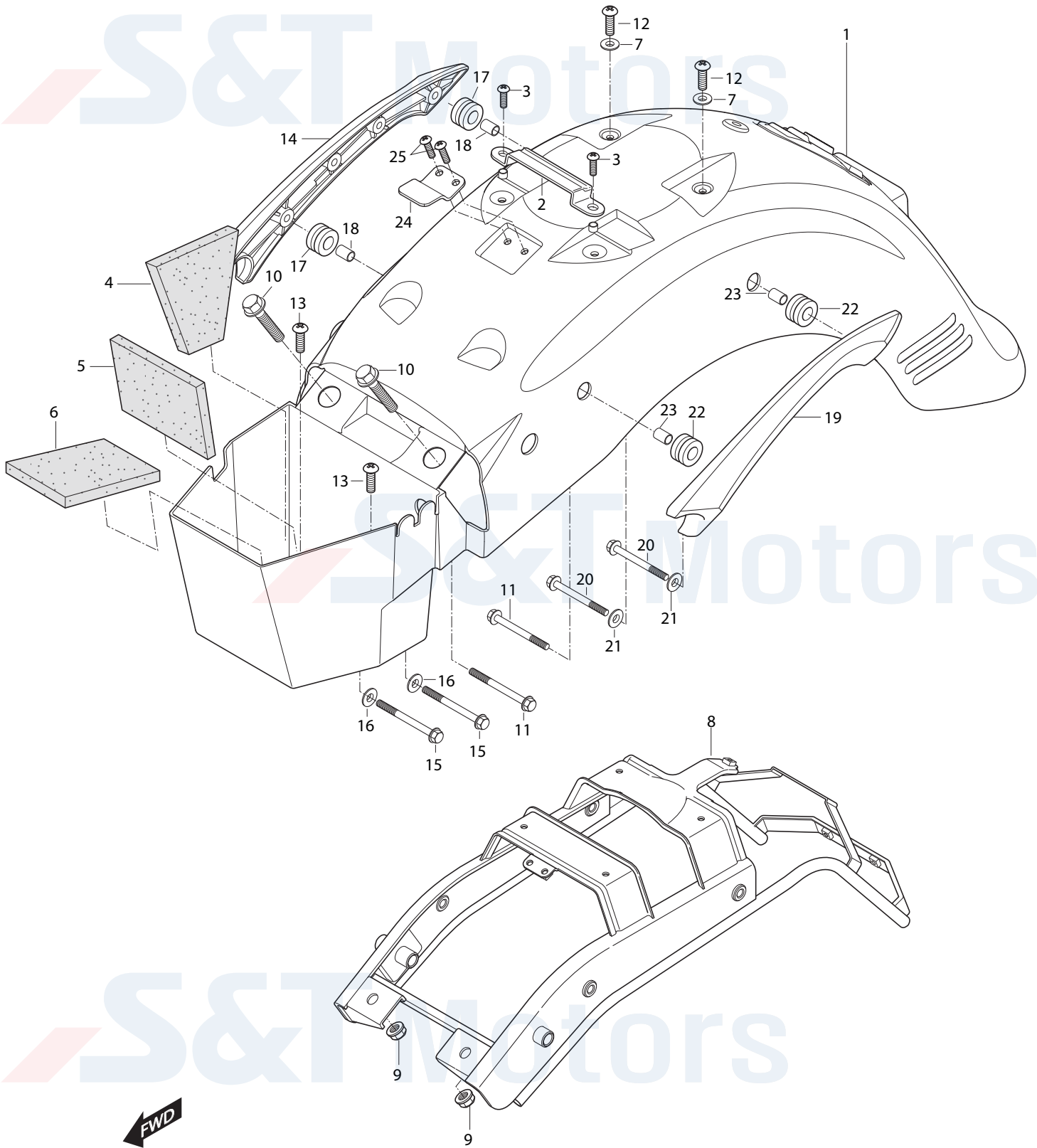


FIG 38

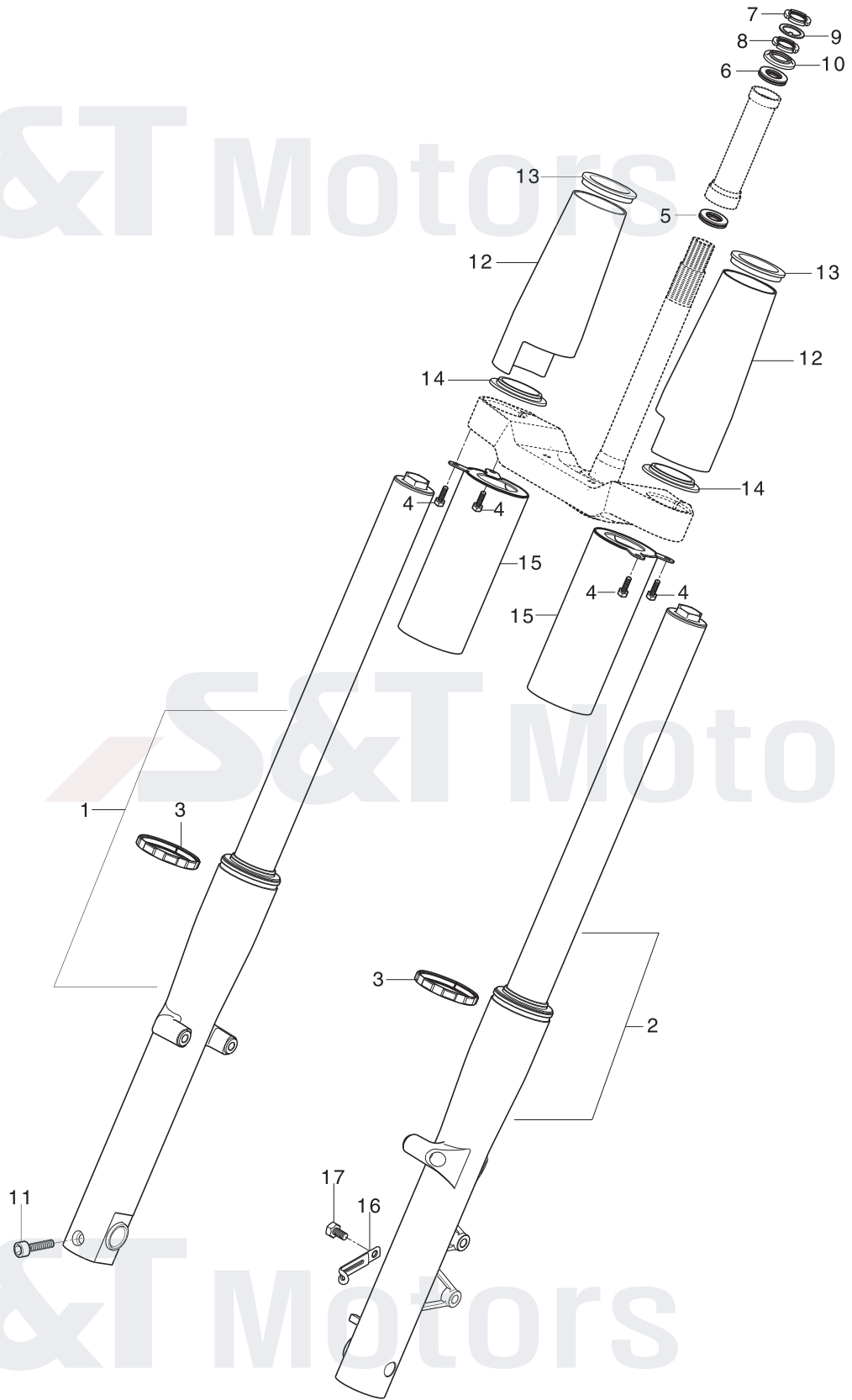


FIG 39

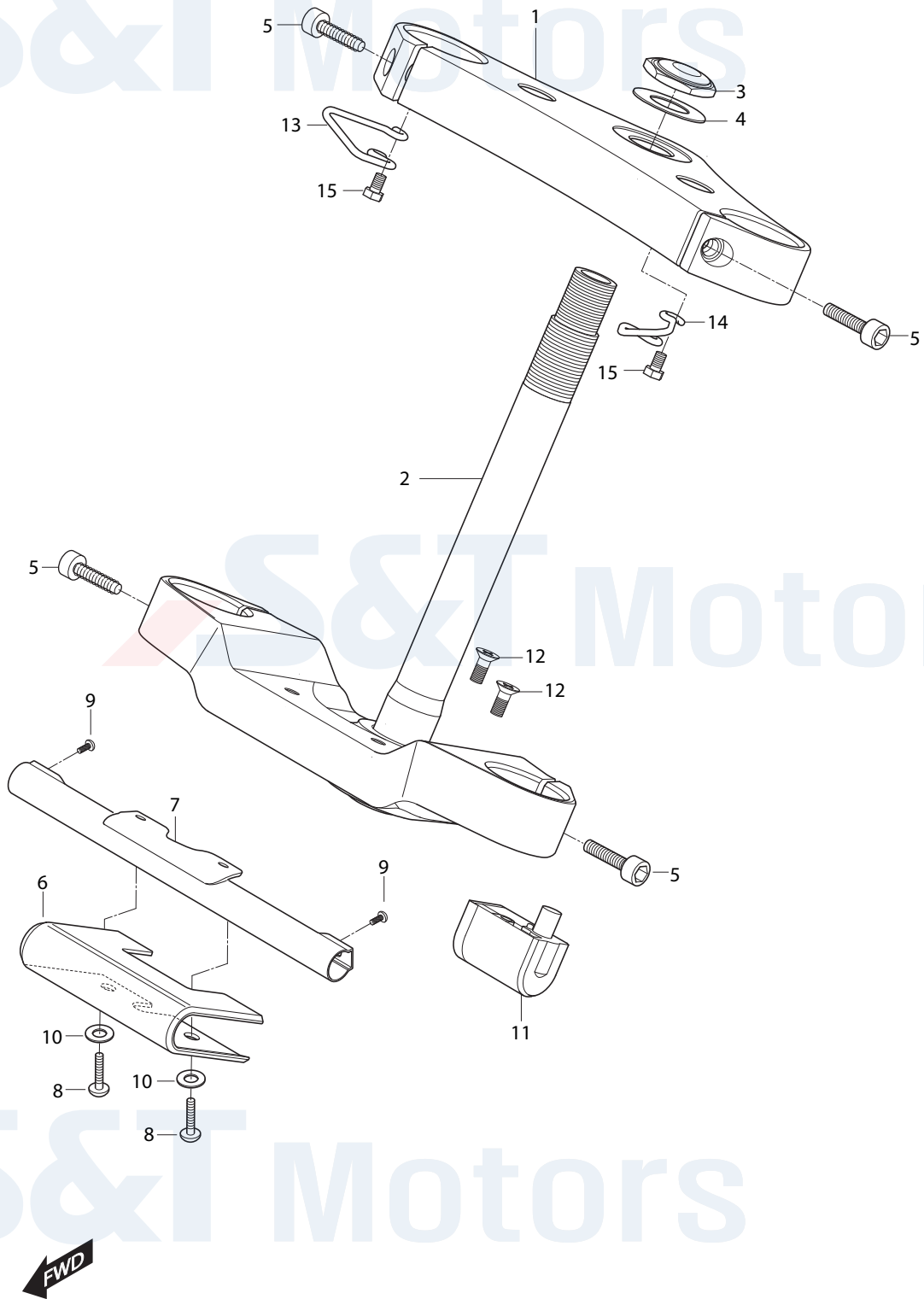


FIG 40

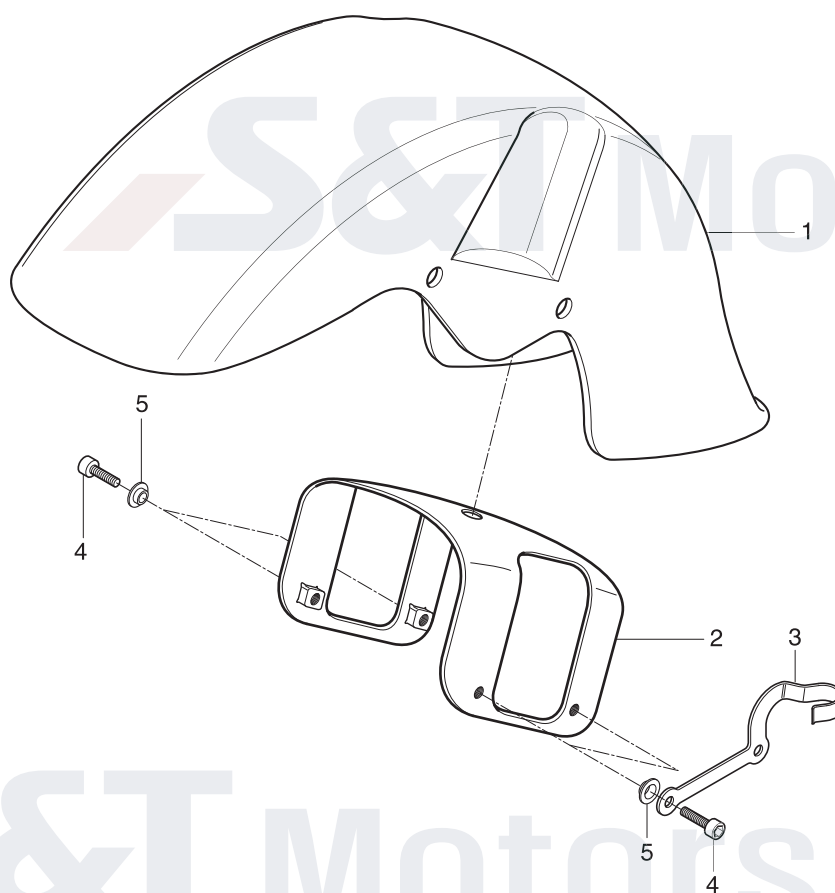
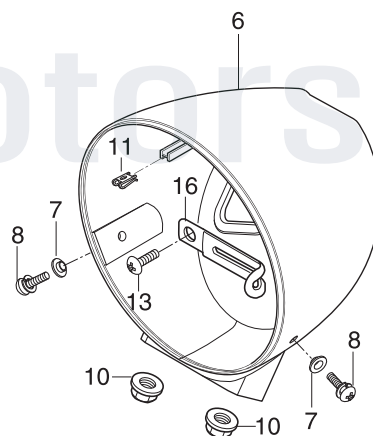
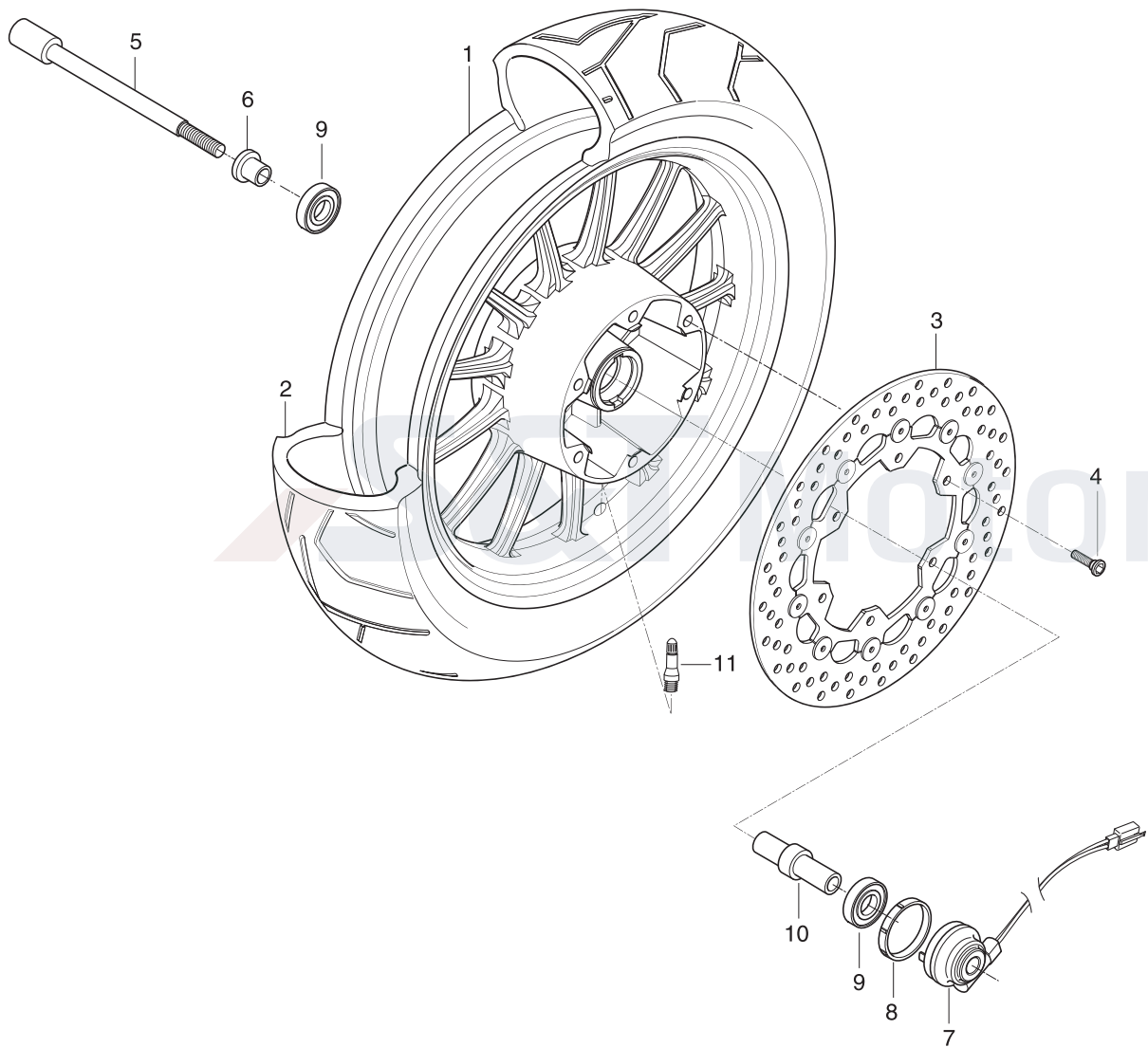


FIG 41

S&T Motors



S&T Motors

FIG 42

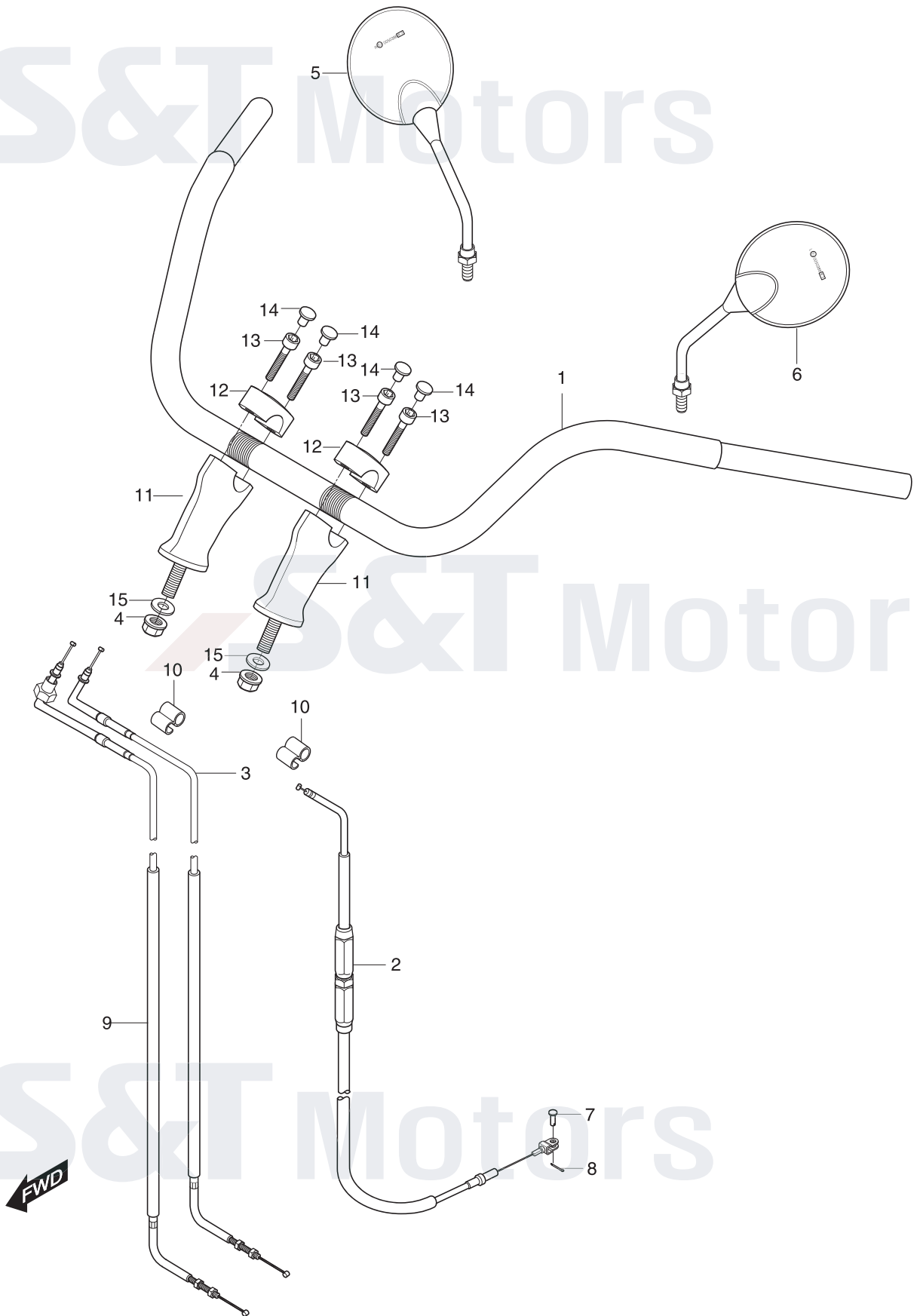


FIG 43

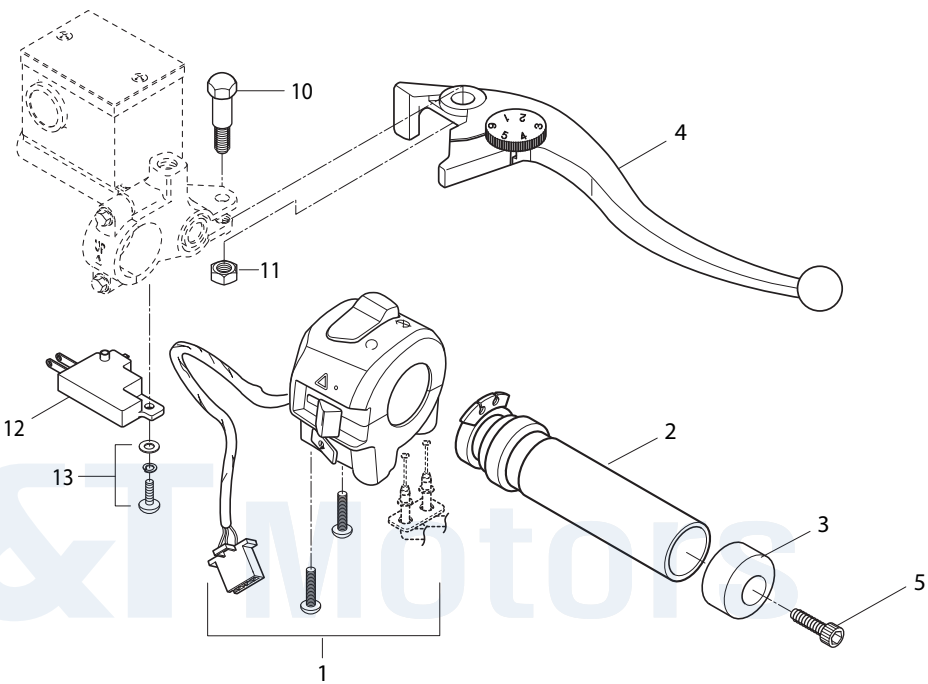
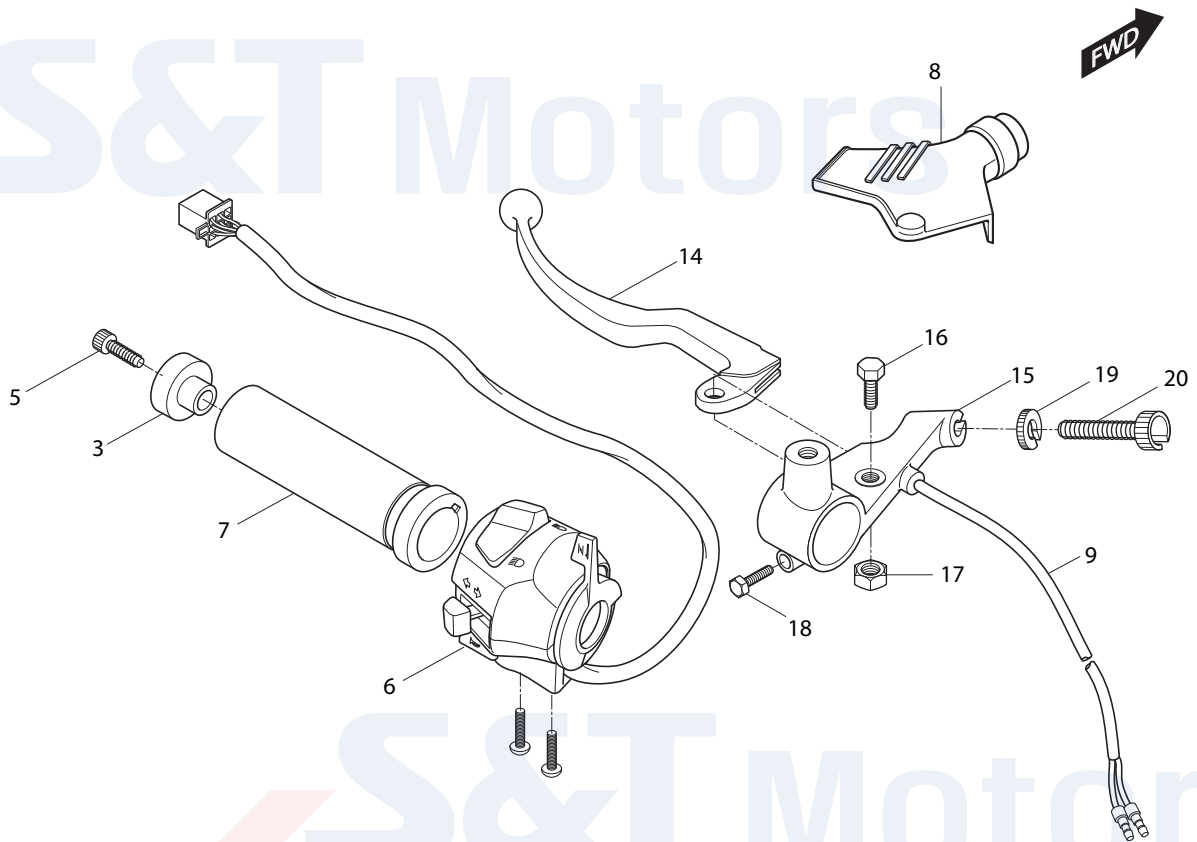
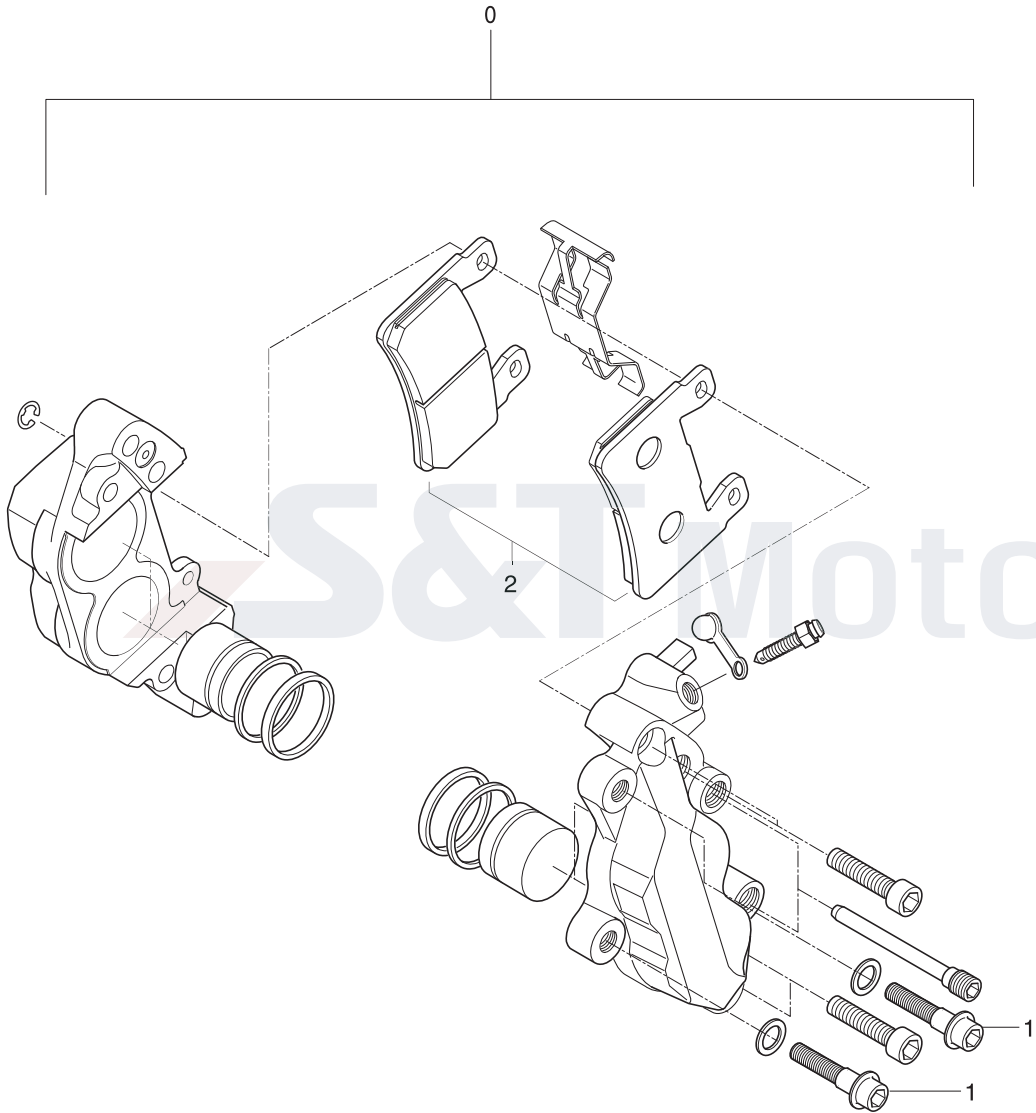


FIG 44

S&T Motors



S&T Motors

FIG.45

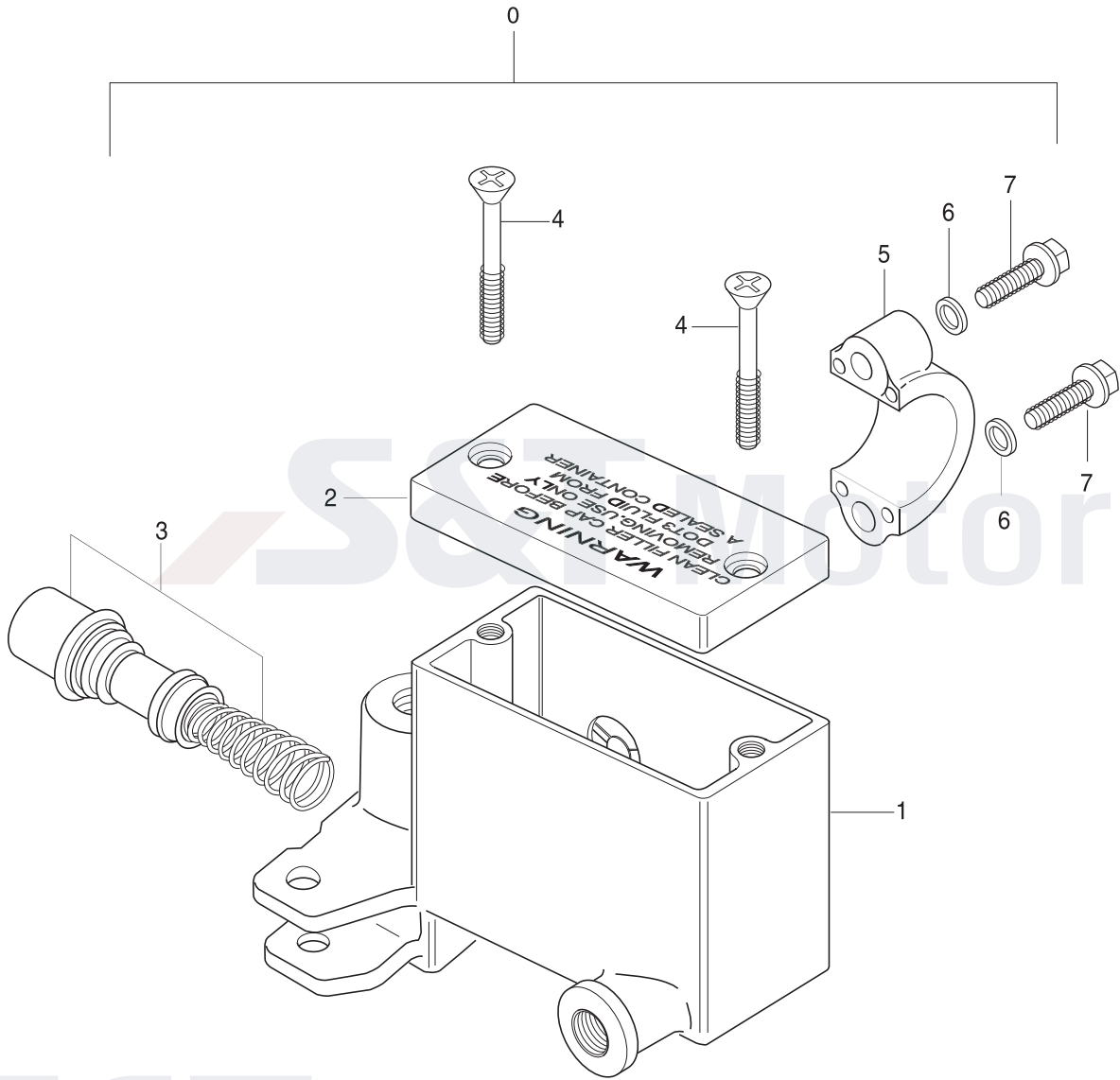


FIG.46

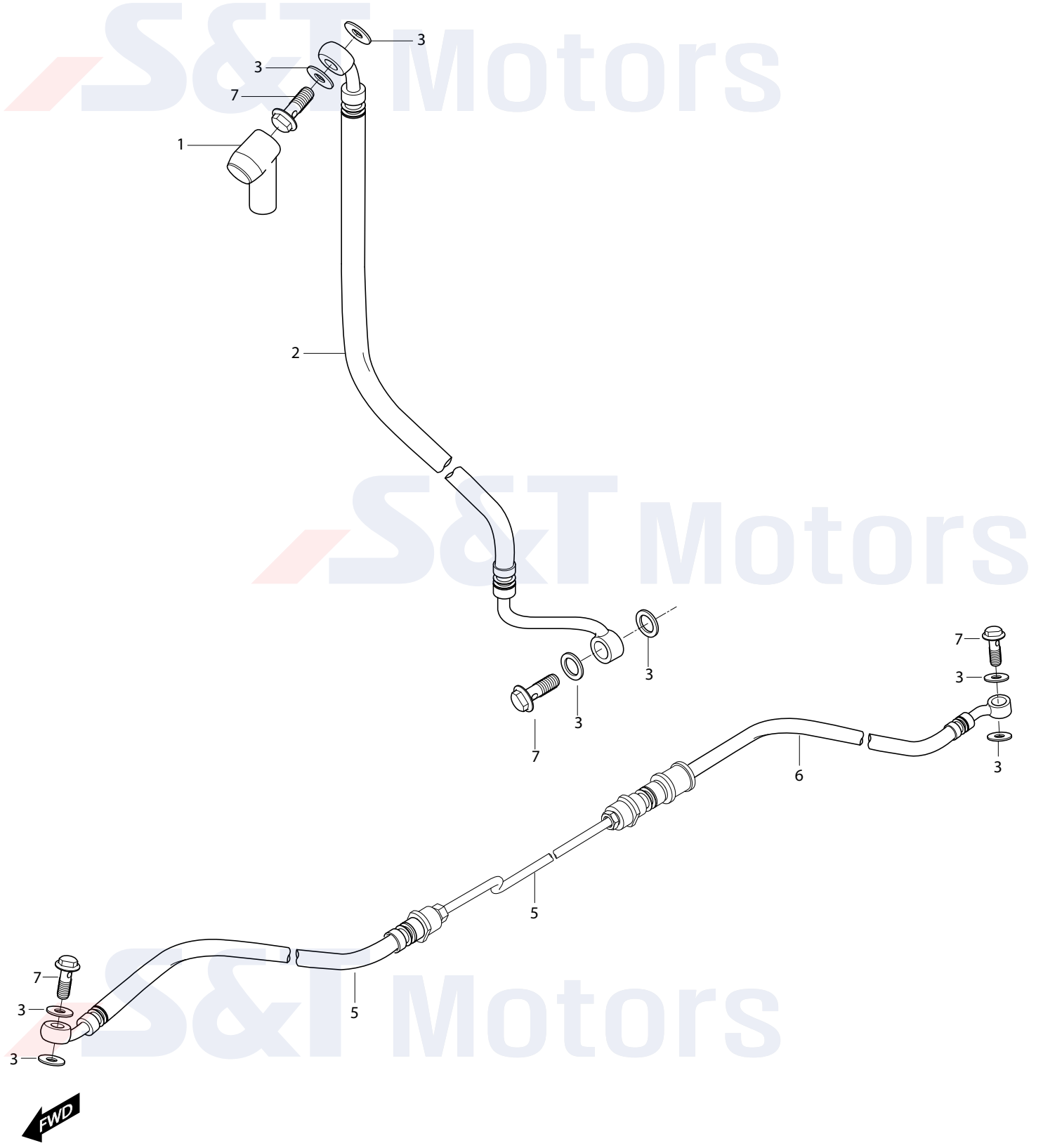


FIG 47

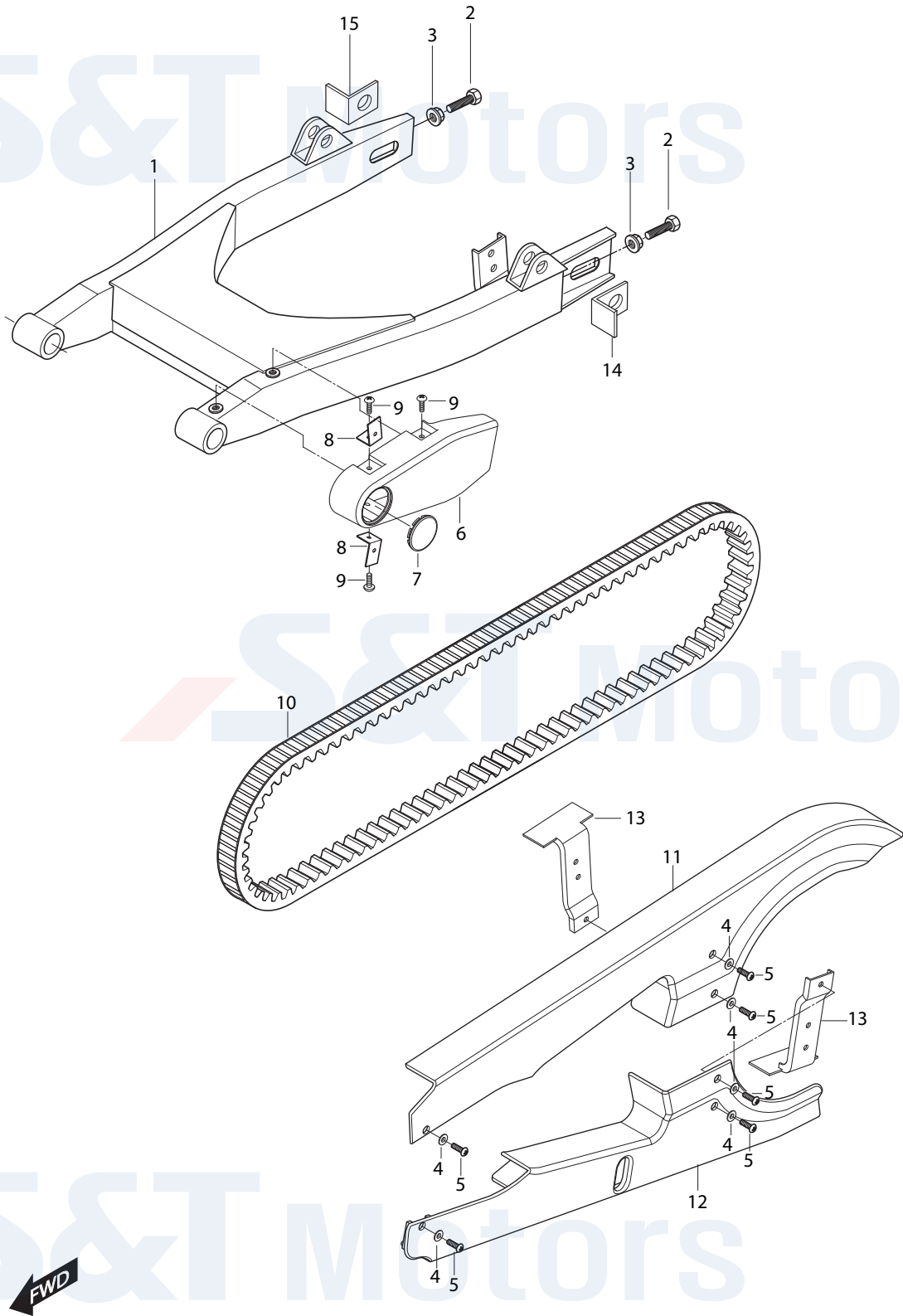
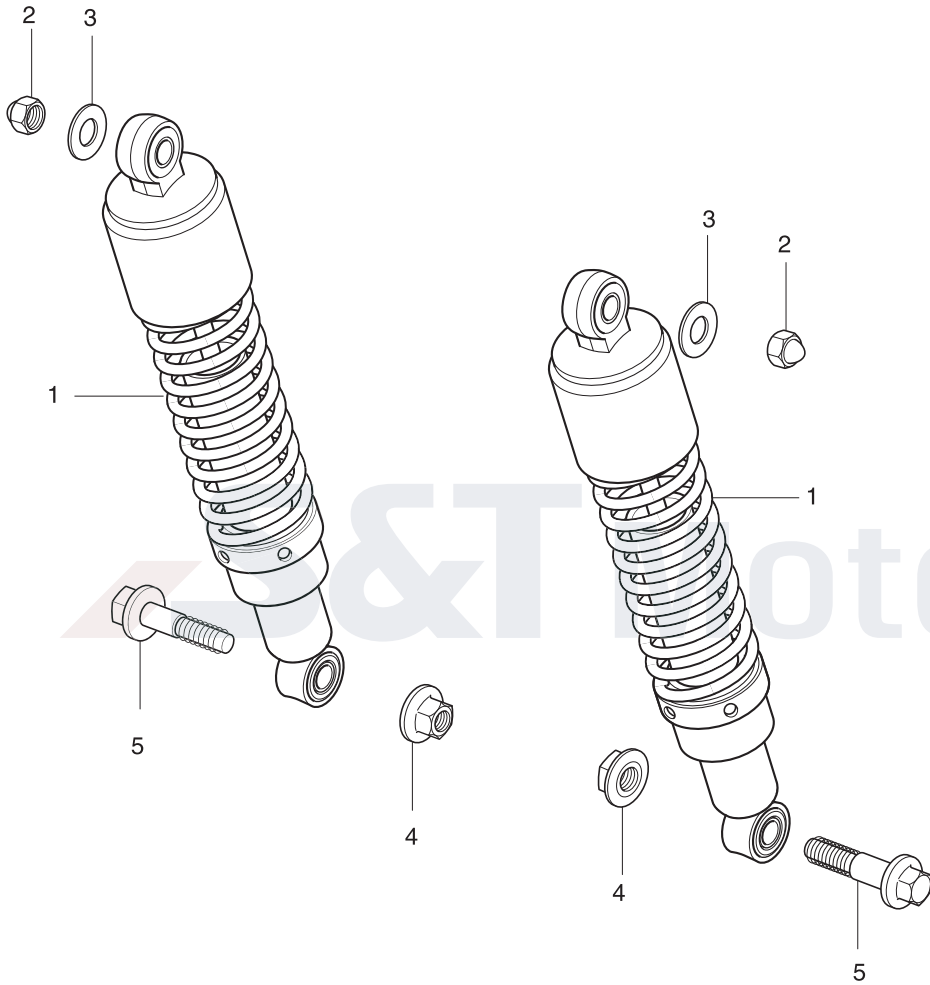


FIG 48

S&T Motors

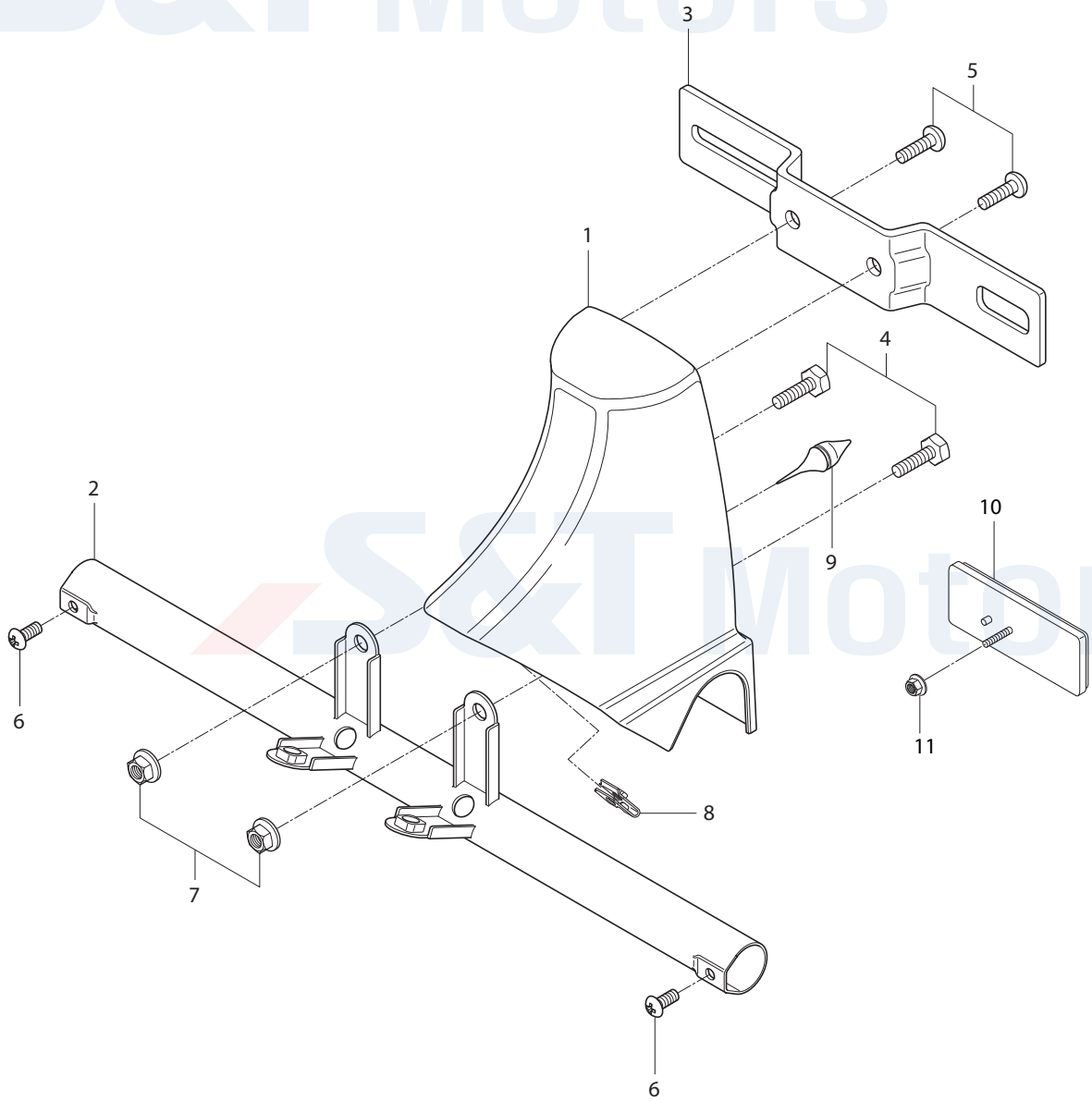


S&T Motors



FIG 49

S&T Motors



S&T Motors



FIG 50

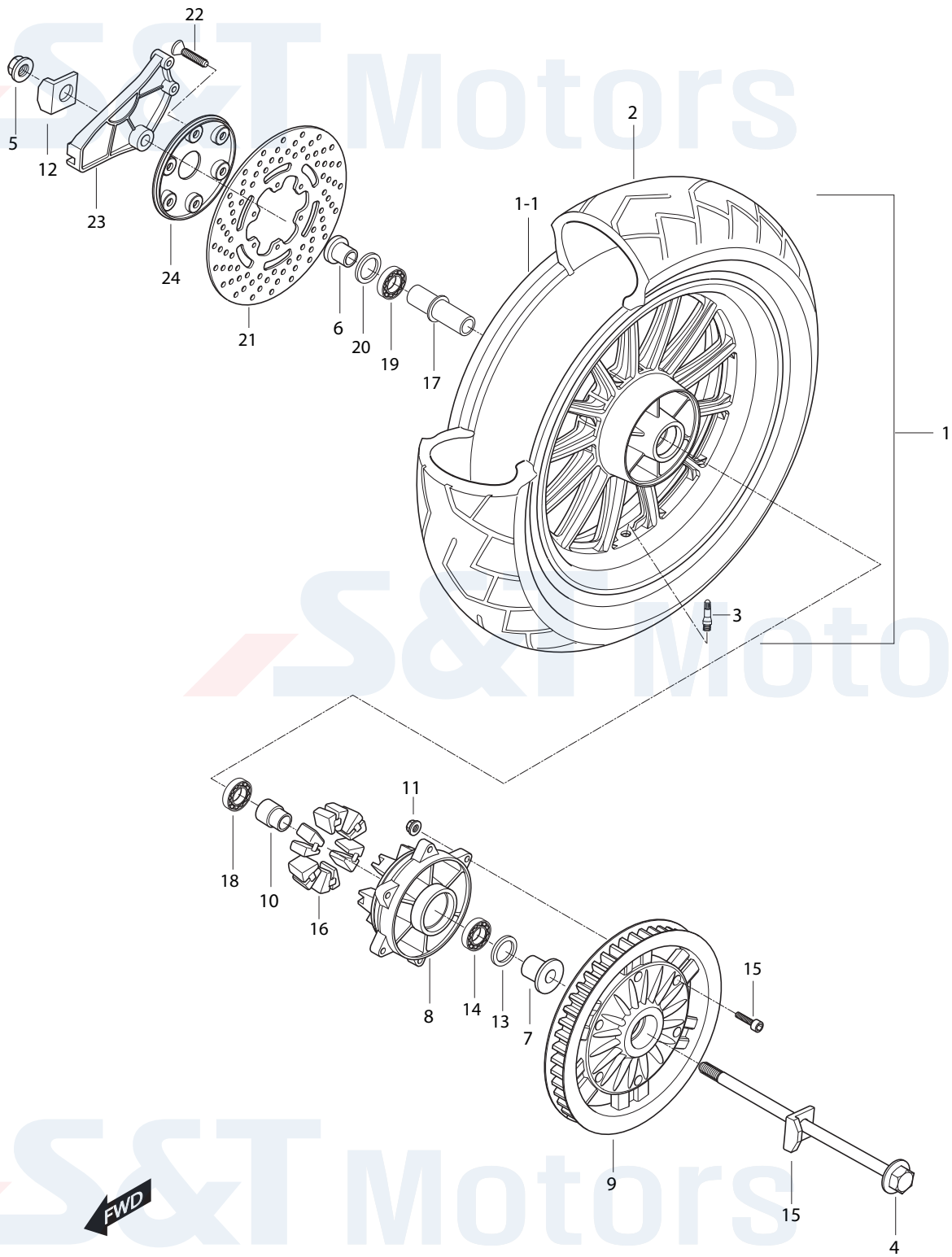


FIG 51

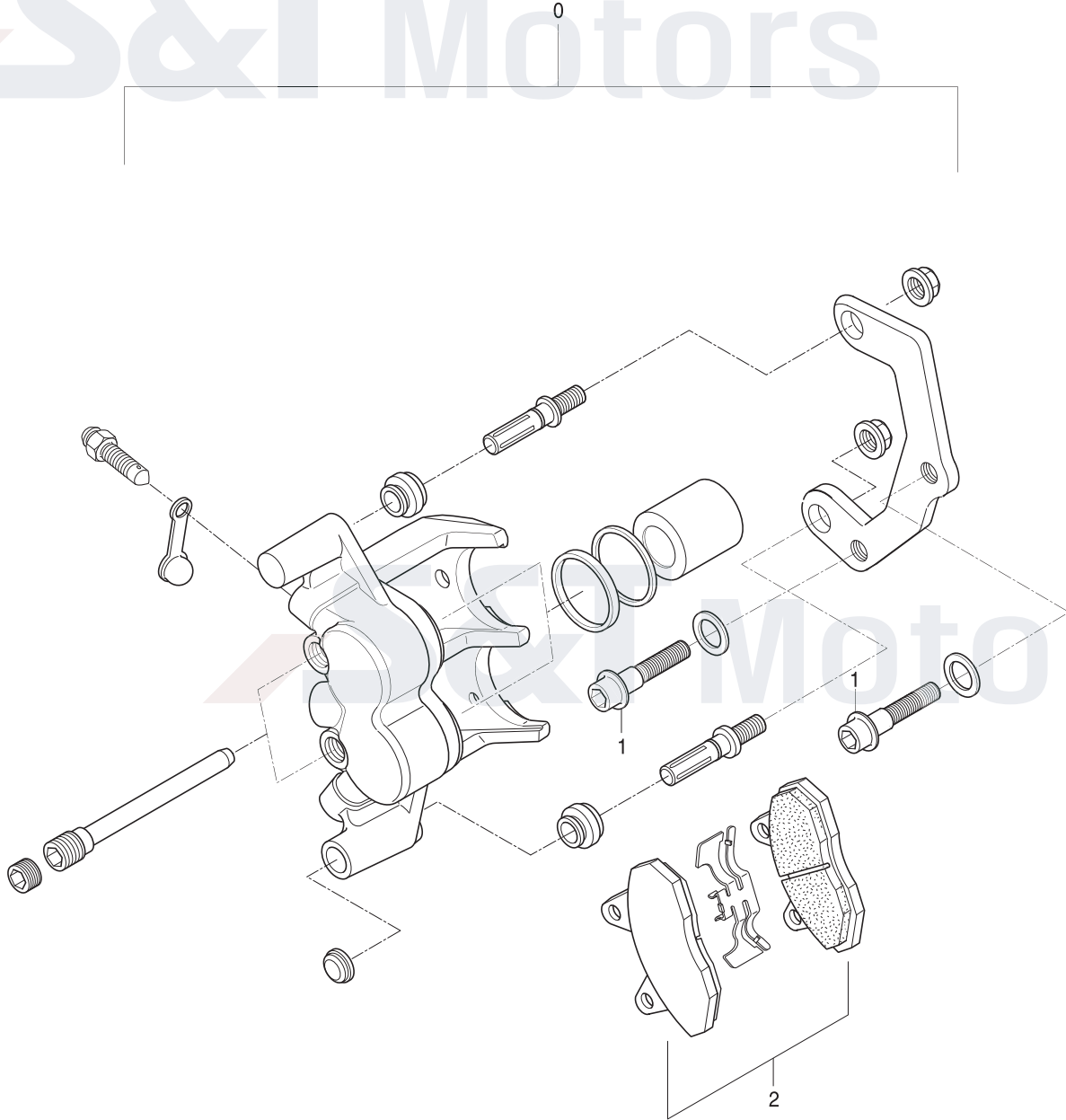


FIG 1-1. CYLINDER HEAD/ (FRONT)

FIG.	REF. NO.	내수	ST-7								PART NAME	Q'TY	
			9EN01	9EU01	9F01	9G01	9S01	9US01	9US02				
1-1	1-1	11110HN9110PCH	11110HN9110PCH	11110HN9110PCH	11110HN9110PCH	11110HN9110PCH	11110HN9110PCH	11110HN9110PCH	11110HN9110PCH	11110HN9110PCH	11110HN9110PCH	HEAD,CYLINDER FT	1
1-1	1-2	11131HN9100888	11131HN9100888	11131HN9100888	11131HN9100888	11131HN9100888	11131HN9100888	11131HN9100888	11131HN9100888	11131HN9100888	11131HN9100888	HOUS'G CAM SHAFT	1
1-1	1-3	11132HN9100888	11132HN9100888	11132HN9100888	11132HN9100888	11132HN9100888	11132HN9100888	11132HN9100888	11132HN9100888	11132HN9100888	11132HN9100888	HOUS CAM SHAFT E	1
1-1	1-4	09103H06002	09103H06002	09103H06002	09103H06002	09103H06002	09103H06002	09103H06002	09103H06002	09103H06002	09103H06002	BOLT,CAM SHAFT H	12
1-1	1-5	09206-08001	09206-08001	09206-08001	09206-08001	09206-08001	09206-08001	09206-08001	09206-08001	09206-08001	09206-08001	PIN MAG COV	4
1-1	2	11171HP9502121	11171HP9502121	11171HP9502121	11171HP9502121	11171HP9502121	11171HP9502121	11171HP9502121	11171HP9502121	11171HP9502121	11171HP9502121	COV,CYL HEAD LOW	1
1-1	3	11172HP9502CR	11172HP9502CR	11172HP9502CR	11172HP9502CR	11172HP9502CR	11172HP9502CR	11172HP9502CR	11172HP9502CR	11172HP9502CR	11172HP9502CR	COV,CYL HEAD UP	1
1-1	4	11141HN9101	11141HN9101	11141HN9101	11141HN9101	11141HN9101	11141HN9101	11141HN9101	11141HN9101	11141HN9101	11141HN9101	GASKET,CYL HEAD	1
1-1	5	13110HP9300	13110HP9300	13110HP9300	13110HP9300	13110HP9300	13110HP9300	13110HP9300	13110HP9300	13110HP9300	13110HP9300	PIP,INTAKE FT(GT)	1
1-1	6	09402-62208	09402-62208	09402-62208	09402-62208	09402-62208	09402-62208	09402-62208	09402-62208	09402-62208	09402-62208	CLAMP,AIR CLE(GD)	1
1-1	7	11173HN9100	11173HN9100	11173HN9100	11173HN9100	11173HN9100	11173HN9100	11173HN9100	11173HN9100	11173HN9100	11173HN9100	GASKET,C/HEAD CO	1
1-1	8	09482-00456HAS	09482-00456HAS	09482-00456HAS	09482-00456HAS	09482-00456HAS	09482-00456HAS	09482-00456HAS	09482-00456HAS	09482-00456HAS	09482-00456HAS	SPARK PLUG CR8E	1
1-1	9	13131HN9100	13131HN9100	13131HN9100	13131HN9100	13131HN9100	13131HN9100	13131HN9100	13131HN9100	13131HN9100	13131HN9100	O-RING,INTAKE PI	1
1-1	10	09106H07018	09106H07018	09106H07018	09106H07018	09106H07018	09106H07018	09106H07018	09106H07018	09106H07018	09106H07018	BOLT,C/HEAD COV	2
1-1	11	09161H11008	09161H11008	09161H11008	09161H11008	09161H11008	09161H11008	09161H11008	09161H11008	09161H11008	09161H11008	WASHER,C/HEAD CO	2
1-1	12	09106H07018	09106H07018	09106H07018	09106H07018	09106H07018	09106H07018	09106H07018	09106H07018	09106H07018	09106H07018	BOLT,C/HEAD COV	2
1-1	13	09103H10001	09103H10001	09103H10001	09103H10001	09103H10001	09103H10001	09103H10001	09103H10001	09103H10001	09103H10001	BOLT,CYL HEAD(GT)	4
1-1	14	09160H10002	09160H10002	09160H10002	09160H10002	09160H10002	09160H10002	09160H10002	09160H10002	09160H10002	09160H10002	WASH,CYL HEAD BO	4
1-1	15	07120-06408	07120-06408	07120-06408	07120-06408	07120-06408	07120-06408	07120-06408	07120-06408	07120-06408	07120-06408	BOLT,GR BOX COV	1
1-1	16	09103H06001	09103H06001	09103H06001	09103H06001	09103H06001	09103H06001	09103H06001	09103H06001	09103H06001	09103H06001	BOLT,CYL HEAD N2	2
1-1	17	04213-13189	04213-13189	04213-13189	04213-13189	04213-13189	04213-13189	04213-13189	04213-13189	04213-13189	04213-13189	PIN,CRANK CASE	2
1-1	18	01514-08128	01514-08128	01514-08128	01514-08128	01514-08128	01514-08128	01514-08128	01514-08128	01514-08128	01514-08128	BLT OIL LEV (GF)	2
1-1	19	09168-08008	09168-08008	09168-08008	09168-08008	09168-08008	09168-08008	09168-08008	09168-08008	09168-08008	09168-08008	GSKT LEV (GA)	2
1-1	20	02122-06208	02122-06208	02122-06208	02122-06208	02122-06208	02122-06208	02122-06208	02122-06208	02122-06208	02122-06208	SCRW CRNK OUT	2
1-1	21	11181HP9500	11181HP9500	11181HP9500	11181HP9500	11181HP9500	11181HP9500	11181HP9500	11181HP9500	11181HP9500	11181HP9500	O-RING,C/HEAD LO	1
1-1	22	11182HP9500	11182HP9500	11182HP9500	11182HP9500	11182HP9500	11182HP9500	11182HP9500	11182HP9500	11182HP9500	11182HP9500	O-RING,C/HEAD LO	1

DER HEAD/(REAR)

FIG.	REF. NO.	내수	ST-7								PART NAME	Q'TY
			9EN01	9EU01	9F01	9G01	9S01	9US01	9US02			
1-2	1-1	11120HP9510PCH	11120HP9510PCH	11120HP9510PCH	11120HP9510PCH	11120HP9510PCH	11120HP9510PCH	11120HP9510PCH	11120HP9510PCH	11120HP9510PCH	C/HEAD RR(27 Φ	1
1-2	1-2	11131HN9100888	11131HN9100888	11131HN9100888	11131HN9100888	11131HN9100888	11131HN9100888	11131HN9100888	11131HN9100888	11131HN9100888	HOUS'G CAM SHAFT	1
1-2	1-3	11132HN9100888	11132HN9100888	11132HN9100888	11132HN9100888	11132HN9100888	11132HN9100888	11132HN9100888	11132HN9100888	11132HN9100888	HOUS CAM SHAFT E	1
1-2	1-4	09103H06002	09103H06002	09103H06002	09103H06002	09103H06002	09103H06002	09103H06002	09103H06002	09103H06002	BOLT,CAM SHAFT H	12
1-2	1-5	09206-08001	09206-08001	09206-08001	09206-08001	09206-08001	09206-08001	09206-08001	09206-08001	09206-08001	PIN MAG COV	4
1-2	2	11171HP9502121	11171HP9502121	11171HP9502121	11171HP9502121	11171HP9502121	11171HP9502121	11171HP9502121	11171HP9502121	11171HP9502121	COV,CYL HEAD LOW	1
1-2	3	11172HP9502CR	11172HP9502CR	11172HP9502CR	11172HP9502CR	11172HP9502CR	11172HP9502CR	11172HP9502CR	11172HP9502CR	11172HP9502CR	COV,CYL HEAD UP	1
1-2	4	11141HN9101	11141HN9101	11141HN9101	11141HN9101	11141HN9101	11141HN9101	11141HN9101	11141HN9101	11141HN9101	GASKET,CYL HEAD	1
1-2	5	13120HP9300	13120HP9300	13120HP9300	13120HP9300	13120HP9300	13120HP9300	13120HP9300	13120HP9300	13120HP9300	PIP,INTAKE RR(GT	1
1-2	6	09402-62208	09402-62208	09402-62208	09402-62208	09402-62208	09402-62208	09402-62208	09402-62208	09402-62208	CLAMP,AIR CLE(GD	1
1-2	7	11173HN9100	11173HN9100	11173HN9100	11173HN9100	11173HN9100	11173HN9100	11173HN9100	11173HN9100	11173HN9100	GASKET,C/HEAD CO	1
1-2	8	09482-00456HAS	09482-00456HAS	09482-00456HAS	09482-00456HAS	09482-00456HAS	09482-00456HAS	09482-00456HAS	09482-00456HAS	09482-00456HAS	SPARK PLUG CR8E	1
1-2	9	13131HN9100	13131HN9100	13131HN9100	13131HN9100	13131HN9100	13131HN9100	13131HN9100	13131HN9100	13131HN9100	O-RING,INTAKE PI	1
1-2	10	09106H07018	09106H07018	09106H07018	09106H07018	09106H07018	09106H07018	09106H07018	09106H07018	09106H07018	BOLT,C/HEAD COV	2
1-2	11	09161H11008	09161H11008	09161H11008	09161H11008	09161H11008	09161H11008	09161H11008	09161H11008	09161H11008	WASHER,C/HEAD CO	2
1-2	12	09106H07018	09106H07018	09106H07018	09106H07018	09106H07018	09106H07018	09106H07018	09106H07018	09106H07018	BOLT,C/HEAD COV	2
1-2	13	09103H10001	09103H10001	09103H10001	09103H10001	09103H10001	09103H10001	09103H10001	09103H10001	09103H10001	BOLT,CYL HEAD(GT	4
1-2	14	09160H10002	09160H10002	09160H10002	09160H10002	09160H10002	09160H10002	09160H10002	09160H10002	09160H10002	WASH,CYL HEAD BO	4
1-2	15	07120-06408	07120-06408	07120-06408	07120-06408	07120-06408	07120-06408	07120-06408	07120-06408	07120-06408	BOLT,GR BOX COV	1
1-2	16	09103H06001	09103H06001	09103H06001	09103H06001	09103H06001	09103H06001	09103H06001	09103H06001	09103H06001	BOLT,CYL HEAD N2	2
1-2	17	04213-13189	04213-13189	04213-13189	04213-13189	04213-13189	04213-13189	04213-13189	04213-13189	04213-13189	PIN,C/CASE	2
1-2	18	01514-08128	01514-08128	01514-08128	01514-08128	01514-08128	01514-08128	01514-08128	01514-08128	01514-08128	BLT OIL LEV (GF)	2
1-2	19	09168-08008	09168-08008	09168-08008	09168-08008	09168-08008	09168-08008	09168-08008	09168-08008	09168-08008	GSKT LEV (GA)	2
1-2	20	02122-06128	02122-06128	02122-06128	02122-06128	02122-06128	02122-06128	02122-06128	02122-06128	02122-06128	SCRW OL GR SH	2
1-2	21	11181HP9500	11181HP9500	11181HP9500	11181HP9500	11181HP9500	11181HP9500	11181HP9500	11181HP9500	11181HP9500	O-RING,C/HEAD LO	1
1-2	22	11182HP9500	11182HP9500	11182HP9500	11182HP9500	11182HP9500	11182HP9500	11182HP9500	11182HP9500	11182HP9500	O-RING,C/HEAD LO	1

ER /FRONT, REAR

FIG.	REF. NO.	ST-7									PART NAME	Q'TY
		내수	9EN01	9EU01	9F01	9G01	9S01	9US01	9US02			
2	1	11210H99D00PCY	11210H99D00PCY	11210H99D00PCY	11210H99D00PCY	11210H99D00PCY	11210H99D00PCY	11210H99D00PCY	11210H99D00PCY	11210H99D00PCY	CYLINDER COMP,FT	1
2	2	11220H99D00PCY	11220H99D00PCY	11220H99D00PCY	11220H99D00PCY	11220H99D00PCY	11220H99D00PCY	11220H99D00PCY	11220H99D00PCY	11220H99D00PCY	CYLINDER COMP,RR	1
2	3	11241HN9101	11241HN9101	11241HN9101	11241HN9101	11241HN9101	11241HN9101	11241HN9101	11241HN9101	11241HN9101	GASKET,CYL(GT650	2
2	4	04213-13189	04213-13189	04213-13189	04213-13189	04213-13189	04213-13189	04213-13189	04213-13189	04213-13189	PIN,C/CASE	4
2	5	08316-16068	08316-16068	08316-16068	08316-16068	08316-16068	08316-16068	08316-16068	08316-16068	08316-16068	NUT (SB)	4
2	6	01421-06258	01421-06258	01421-06258	01421-06258	01421-06258	01421-06258	01421-06258	01421-06258	01421-06258	STUD BLT CYL	4

RADIATOR

FIG.	REF. NO.	ST-7								PART NAME	Q'TY	
		내수	9EN01	9EU01	9F01	9G01	9S01	9US01	9US02			
3	1	17710HP9500	17710HP9500	17710HP9500	17710HP9500	17710HP9500	17710HP9500	17710HP9500	17710HP9500	17710HP9500	RADIATOR,WATER	1
3	2	17860HN9100	17860HN9100	17860HN9100	17860HN9100	17860HN9100	17860HN9100	17860HN9100	17860HN9100	17860HN9100	SW ASSY,THERMO	1
3	3	17800HN9102	17800HN9102	17800HN9102	17800HN9102	17800HN9102	17800HN9102	17800HN9102	17800HN9102	17800HN9102	FAN ASSY,RADIAT	1
3	4	17810HN9100	17810HN9100	17810HN9100	17810HN9100	17810HN9100	17810HN9100	17810HN9100	17810HN9100	17810HN9100	MOTOR ASSY,RADIA	1
3	5	02142-05165	02142-05165	02142-05165	02142-05165	02142-05165	02142-05165	02142-05165	02142-05165	02142-05165	SCRW HD COV N1	3
3	6	09404-06401	09404-06401	09404-06401	09404-06401	09404-06401	09404-06401	09404-06401	09404-06401	09404-06401	CLMP OIL HOSE	1
3	7	09116-06143	09116-06143	09116-06143	09116-06143	09116-06143	09116-06143	09116-06143	09116-06143	09116-06143	BOLT OIL COOL	4
3	8	09180-06011	09180-06011	09180-06011	09180-06011	09180-06011	09180-06011	09180-06011	09180-06011	09180-06011	SPACER	4
3	9	09320H10006	09320H10006	09320H10006	09320H10006	09320H10006	09320H10006	09320H10006	09320H10006	09320H10006	CUSHION,RADIATOR	4

RANK CASE

FIG.	REF. NO.	내수	ST-7								PART NAME	Q'TY
			9EN01	9EU01	9F01	9G01	9S01	9US01	9US02			
4	1	11320HP9108PCC	11320HP9108PCC	11320HP9108PCC	11320HP9108PCC	11320HP9108PCC	11320HP9108PCC	11320HP9108PCC	11320HP9108PCC	11320HP9108PCC	PIN,C/CASE (GAF)	1
4	2	11310HP9510PCC	11310HP9510PCC	11310HP9510PCC	11310HP9510PCC	11310HP9510PCC	11310HP9510PCC	11310HP9510PCC	11310HP9510PCC	11310HP9510PCC	CRANK CASE R(GV)	1
4	3	11430HN9100	11430HN9100	11430HN9100	11430HN9100	11430HN9100	11430HN9100	11430HN9100	11430HN9100	11430HN9100	JET,PISTON RR OI	1
4	4	11420HN9100	11420HN9100	11420HN9100	11420HN9100	11420HN9100	11420HN9100	11420HN9100	11420HN9100	11420HN9100	JET,PISTON FT OI	1
4	5	09403H09304	09403H09304	09403H09304	09403H09304	09403H09304	09403H09304	09403H09304	09403H09304	09403H09304	CLMP CL/CABLE(GA)	2
4	6	04213-13189	04213-13189	04213-13189	04213-13189	04213-13189	04213-13189	04213-13189	04213-13189	04213-13189	PIN	2
4	7	07120-08608	07120-08608	07120-08608	07120-08608	07120-08608	07120-08608	07120-08608	07120-08608	07120-08608	BOLT,C/CASE(GT65)	2
4	8	01547-06608	01547-06608	01547-06608	01547-06608	01547-06608	01547-06608	01547-06608	01547-06608	01547-06608	BLT CAM SHAFT HO	8
4	9	07120-08708	07120-08708	07120-08708	07120-08708	07120-08708	07120-08708	07120-08708	07120-08708	07120-08708	BOLT,C/CASE(GT65)	2
4	10	01547-06808	01547-06808	01547-06808	01547-06808	01547-06808	01547-06808	01547-06808	01547-06808	01547-06808	BOLT CRANKCASE	5
4	11	02112-06958	02112-06958	02112-06958	02112-06958	02112-06958	02112-06958	02112-06958	02112-06958	02112-06958	SCREW,CLUTCH COV	2
4	12	09103H08001	09103H08001	09103H08001	09103H08001	09103H08001	09103H08001	09103H08001	09103H08001	09103H08001	BOLT,C/CASE(GT65)	2
4	13	01514-08128	01514-08128	01514-08128	01514-08128	01514-08128	01514-08128	01514-08128	01514-08128	01514-08128	BLT OIL LEV (GF)	2
4	14	09168-08008	09168-08008	09168-08008	09168-08008	09168-08008	09168-08008	09168-08008	09168-08008	09168-08008	GSKT LEV (GA)	2
4	16	01547-06308	01547-06308	01547-06308	01547-06308	01547-06308	01547-06308	01547-06308	01547-06308	01547-06308	BOLT MAG&CL COV	2
4	17	01547-06358	01547-06358	01547-06358	01547-06358	01547-06358	01547-06358	01547-06358	01547-06358	01547-06358	BLT MAG&SPRO COV	2
4	18	17481HN9100	17481HN9100	17481HN9100	17481HN9100	17481HN9100	17481HN9100	17481HN9100	17481HN9100	17481HN9100	UNION,WATER PUMP	1
4	19	07110-06128	07110-06128	07110-06128	07110-06128	07110-06128	07110-06128	07110-06128	07110-06128	07110-06128	BOLT	1
4	20	09280H04001	09280H04001	09280H04001	09280H04001	09280H04001	09280H04001	09280H04001	09280H04001	09280H04001	O-RING,OIL JET	3
4	21	11440HN9100	11440HN9100	11440HN9100	11440HN9100	11440HN9100	11440HN9100	11440HN9100	11440HN9100	11440HN9100	JET,START CLU OI	1
4	22	02112-06108	02112-06108	02112-06108	02112-06108	02112-06108	02112-06108	02112-06108	02112-06108	02112-06108	SCRW	3
4	23	08319-21068	08319-21068	08319-21068	08319-21068	08319-21068	08319-21068	08319-21068	08319-21068	08319-21068	NUT BK LEV	2
4	24	09280H21001	09280H21001	09280H21001	09280H21001	09280H21001	09280H21001	09280H21001	09280H21001	09280H21001	O-RING,WATER PUM	1
4	25	13870HP9501	13870HP9501	13870HP9501	13870HP9501	13870HP9501	13870HP9501	13870HP9501	13870HP9501	13870HP9501	PIPE,BREATHING HO	1
4	26	09280H12005	09280H12005	09280H12005	09280H12005	09280H12005	09280H12005	09280H12005	09280H12005	09280H12005	O-RING (KR110)	1
4	27	09128-06054	09128-06054	09128-06054	09128-06054	09128-06054	09128-06054	09128-06054	09128-06054	09128-06054	BLT C/HEAD	1

IK CASE COVER

FIG.	REF. NO.	내수	ST-7								PART NAME	Q'TY
			9EN01	9EU01	9F01	9G01	9S01	9US01	9US02			
5	2	11351HN91200BF	11351HN91200BF	11351HN91200BF	11351HN91200BF	11351HN91200BF	11351HN91200BF	11351HN91200BF	11351HN91200BF	11351HN91200BF	COVER,MAGNETO(GV)	1
5	3	11481HN9101	11481HN9101	11481HN9101	11481HN9101	11481HN9101	11481HN9101	11481HN9101	11481HN9101	11481HN9101	GASKET,CLUT COV	1
5	4	11483HN9101	11483HN9101	11483HN9101	11483HN9101	11483HN9101	11483HN9101	11483HN9101	11483HN9101	11483HN9101	GASKET,M/COV(GT6	1
5	5	09247-14026	09247-14026	09247-14026	09247-14026	09247-14026	09247-14026	09247-14026	09247-14026	09247-14026	PLUG BLT	1
5	6	09168H14003	09168H14003	09168H14003	09168H14003	09168H14003	09168H14003	09168H14003	09168H14003	09168H14003	GASKET,O/CHECK P	1
5	7	09259H26009	09259H26009	09259H26009	09259H26009	09259H26009	09259H26009	09259H26009	09259H26009	09259H26009	PLUG	1
5	8	09280-22008	09280-22008	09280-22008	09280-22008	09280-22008	09280-22008	09280-22008	09280-22008	09280-22008	O/RING C/SHAFT H	1
5	9	04213-13189	04213-13189	04213-13189	04213-13189	04213-13189	04213-13189	04213-13189	04213-13189	04213-13189	PIN	2
5	10	04213-09129	04213-09129	04213-09129	04213-09129	04213-09129	04213-09129	04213-09129	04213-09129	04213-09129	PIN,MAGNET COV	1
5	11	01547-06358	01547-06358	01547-06358	01547-06358	01547-06358	01547-06358	01547-06358	01547-06358	01547-06358	BLT MAG&SPRO COV	8
5	12	01547-06558	01547-06558	01547-06558	01547-06558	01547-06558	01547-06558	01547-06558	01547-06558	01547-06558	BLT C/CASE	2
5	13	09403H09304	09403H09304	09403H09304	09403H09304	09403H09304	09403H09304	09403H09304	09403H09304	09403H09304	CLMP CL/CABLE(GA	1
5	14	09259H26009	09259H26009	09259H26009	09259H26009	09259H26009	09259H26009	09259H26009	09259H26009	09259H26009	PLUG	1
5	15	09280-22008	09280-22008	09280-22008	09280-22008	09280-22008	09280-22008	09280-22008	09280-22008	09280-22008	O/RING C/SHAFT H	1
5	16	01547-06358	01547-06358	01547-06358	01547-06358	01547-06358	01547-06358	01547-06358	01547-06358	01547-06358	BLT MAG&SPRO COV	8
5	17	01547-06558	01547-06558	01547-06558	01547-06558	01547-06558	01547-06558	01547-06558	01547-06558	01547-06558	BLT C/CASE	4
5	18	01547-06708	01547-06708	01547-06708	01547-06708	01547-06708	01547-06708	01547-06708	01547-06708	01547-06708	BOLT,MAGNETO COV	3
5	19	01547-06508	01547-06508	01547-06508	01547-06508	01547-06508	01547-06508	01547-06508	01547-06508	01547-06508	BOLT,MAGNETO COV	1
5	20	09247H12102	09247H12102	09247H12102	09247H12102	09247H12102	09247H12102	09247H12102	09247H12102	09247H12102	PLUG TDC	1
5	21	09168H12003	09168H12003	09168H12003	09168H12003	09168H12003	09168H12003	09168H12003	09168H12003	09168H12003	GASKET,TDC PLUG	1
5	22	11361HP9503	11361HP9503	11361HP9503	11361HP9503	11361HP9503	11361HP9503	11361HP9503	11361HP9503	11361HP9503	COV,EG SPRO(GV70	1
5	23	11482HN9100	11482HN9100	11482HN9100	11482HN9100	11482HN9100	11482HN9100	11482HN9100	11482HN9100	11482HN9100	O-RING,C/COV(GT6	1
5	24	01547-06408	01547-06408	01547-06408	01547-06408	01547-06408	01547-06408	01547-06408	01547-06408	01547-06408	BLT MAG COV(GPS)	2
5	25	01547-06258	01547-06258	01547-06258	01547-06258	01547-06258	01547-06258	01547-06258	01547-06258	01547-06258	BLT INTK HEAD(EZ	4
5	26	11332HN9100	11332HN9100	11332HN9100	11332HN9100	11332HN9100	11332HN9100	11332HN9100	11332HN9100	11332HN9100	LENS,OIL LEV CHE	1
5	27	11341HN91100BF	11341HN91100BF	11341HN91100BF	11341HN91100BF	11341HN91100BF	11341HN91100BF	11341HN91100BF	11341HN91100BF	11341HN91100BF	COV,CLUTCH OUTER	1
5	28	09168H06019	09168H06019	09168H06019	09168H06019	09168H06019	09168H06019	09168H06019	09168H06019	09168H06019	GASKET,OIL GALLE	1
5	29	01547-06658	01547-06658	01547-06658	01547-06658	01547-06658	01547-06658	01547-06658	01547-06658	01547-06658	BLT,EG PULLEY(GV	1
5	30	01547-06408	01547-06408	01547-06408	01547-06408	01547-06408	01547-06408	01547-06408	01547-06408	01547-06408	BLT MAG COV(GPS)	1

CRANK SHAFT

FIG.	REF. NO.	내수	ST-7								PART NAME	Q'TY	
			9EN01	9EU01	9F01	9G01	9S01	9US01	9US02				
6	1	12200H99D00HPA	12200H99D00HPA	12200H99D00HPA	12200H99D00HPA	12200H99D00HPA	12200H99D00HPA	12200H99D00HPA	12200H99D00HPA	12200H99D00HPA	12200H99D00HPA	CRANK SHAFT ASS'Y	1
6	1-1	12161H99D00	12161H99D00	12161H99D00	12161H99D00	12161H99D00	12161H99D00	12161H99D00	12161H99D00	12161H99D00	12161H99D00	ROD,CONNECTING	2
6	1-2	09263H37001	09263H37001	09263H37001	09263H37001	09263H37001	09263H37001	09263H37001	09263H37001	09263H37001	09263H37001	BG,CRANK PIN(GT6	2
6	1-3	12210H99D00	12210H99D00	12210H99D00	12210H99D00	12210H99D00	12210H99D00	12210H99D00	12210H99D00	12210H99D00	12210H99D00	PIN COMP,CRANK	1
6	1-4	12221H99D00CSA	12221H99D00CSA	12221H99D00CSA	12221H99D00CSA	12221H99D00CSA	12221H99D00CSA	12221H99D00CSA	12221H99D00CSA	12221H99D00CSA	12221H99D00CSA	CR/SHAFT R(GV700	1
6	1-5	12261H99D00CSA	12261H99D00CSA	12261H99D00CSA	12261H99D00CSA	12261H99D00CSA	12261H99D00CSA	12261H99D00CSA	12261H99D00CSA	12261H99D00CSA	12261H99D00CSA	CR/SHAFT L(GV700	1
6	1-6	09160H37001	09160H37001	09160H37001	09160H37001	09160H37001	09160H37001	09160H37001	09160H37001	09160H37001	09160H37001	WASH,CONNROD(GT6	3
6	2	09262H35001	09262H35001	09262H35001	09262H35001	09262H35001	09262H35001	09262H35001	09262H35001	09262H35001	09262H35001	BG,C/SHAFT(GV,GT	2
6	3	02112-06128	02112-06128	02112-06128	02112-06128	02112-06128	02112-06128	02112-06128	02112-06128	02112-06128	02112-06128	SCRW CNT SHAFT	1
6	4	21111HN9100	21111HN9100	21111HN9100	21111HN9100	21111HN9100	21111HN9100	21111HN9100	21111HN9100	21111HN9100	21111HN9100	GEAR,PRIMARY DRV	1
6	5	21112HN9100	21112HN9100	21112HN9100	21112HN9100	21112HN9100	21112HN9100	21112HN9100	21112HN9100	21112HN9100	21112HN9100	GR,PRIMARY DRV 2	1
6	6	12281HN9100	12281HN9100	12281HN9100	12281HN9100	12281HN9100	12281HN9100	12281HN9100	12281HN9100	12281HN9100	12281HN9100	RETAINER,C/SHAFT	1
6	7	09440H15015	09440H15015	09440H15015	09440H15015	09440H15015	09440H15015	09440H15015	09440H15015	09440H15015	09440H15015	SPR'G,PRIM DRVN	1
6	8	09164H46001	09164H46001	09164H46001	09164H46001	09164H46001	09164H46001	09164H46001	09164H46001	09164H46001	09164H46001	WASH,PRIM DRVN G	1
6	9	09140H18001	09140H18001	09140H18001	09140H18001	09140H18001	09140H18001	09140H18001	09140H18001	09140H18001	09140H18001	NUT,WATER PUMP	1
6	10	09282-12001	09282-12001	09282-12001	09282-12001	09282-12001	09282-12001	09282-12001	09282-12001	09282-12001	09282-12001	O/SEAL C/SHAFT R	1
6	11	12111HN9101	12111HN9101	12111HN9101	12111HN9101	12111HN9101	12111HN9101	12111HN9101	12111HN9101	12111HN9101	12111HN9101	PISTON COMP(GT65	2
6	12	12151HN9101	12151HN9101	12151HN9101	12151HN9101	12151HN9101	12151HN9101	12151HN9101	12151HN9101	12151HN9101	12151HN9101	PIN,PISTON(GT650	2
6	13	09381H20001	09381H20001	09381H20001	09381H20001	09381H20001	09381H20001	09381H20001	09381H20001	09381H20001	09381H20001	CIRCLIP,PISTON P	4
6	14	12140HN9100	12140HN9100	12140HN9100	12140HN9100	12140HN9100	12140HN9100	12140HN9100	12140HN9100	12140HN9100	12140HN9100	RING SET	2
6	14-1	12141HN9100	12141HN9100	12141HN9100	12141HN9100	12141HN9100	12141HN9100	12141HN9100	12141HN9100	12141HN9100	12141HN9100	PISTON RING,1ST	2
6	14-2	12142HN9100	12142HN9100	12142HN9100	12142HN9100	12142HN9100	12142HN9100	12142HN9100	12142HN9100	12142HN9100	12142HN9100	PISTON RING,2ND	2
6	14-3	12144HN9100	12144HN9100	12144HN9100	12144HN9100	12144HN9100	12144HN9100	12144HN9100	12144HN9100	12144HN9100	12144HN9100	PISTON RING,OIL	2
6	15	12291HN9100	12291HN9100	12291HN9100	12291HN9100	12291HN9100	12291HN9100	12291HN9100	12291HN9100	12291HN9100	12291HN9100	JET,CR/SHAFT R	1
6	16	17511HN9103	17511HN9103	17511HN9103	17511HN9103	17511HN9103	17511HN9103	17511HN9103	17511HN9103	17511HN9103	17511HN9103	GR,WATER PUMP DR	1
6	17	09164H18001	09164H18001	09164H18001	09164H18001	09164H18001	09164H18001	09164H18001	09164H18001	09164H18001	09164H18001	WASH,WATER PUMP	1
6	18	09180H06125	09180H06125	09180H06125	09180H06125	09180H06125	09180H06125	09180H06125	09180H06125	09180H06125	09180H06125	SPCR,W/PUMP COV	1
6	19	09440H15014	09440H15014	09440H15014	09440H15014	09440H15014	09440H15014	09440H15014	09440H15014	09440H15014	09440H15014	SPRING,PRIMARY DRIVEN NO2	2

STARTER CLUTCH

FIG.	REF. NO.	ST-7								PART NAME	Q'TY	
		내수	9EN01	9EU01	9F01	9G01	9S01	9US01	9US02			
7	1	12611HN9100	12611HN9100	12611HN9100	12611HN9100	12611HN9100	12611HN9100	12611HN9100	12611HN9100	12611HN9100	GR,STARTER IDLE	1
7	2	09206-13003	09206-13003	09206-13003	09206-13003	09206-13003	09206-13003	09206-13003	09206-13003	09206-13003	PIN ST IDL GR	1
7	3	12614H99D00	12614H99D00	12614H99D00	12614H99D00	12614H99D00	12614H99D00	12614H99D00	12614H99D00	12614H99D00	CLUT,START ONE W	1
7	4	12620HN9102	12620HN9102	12620HN9102	12620HN9102	12620HN9102	12620HN9102	12620HN9102	12620HN9102	12620HN9102	GEAR,STARTER CLU	1
7	6	07110-08168	07110-08168	07110-08168	07110-08168	07110-08168	07110-08168	07110-08168	07110-08168	07110-08168	BOLT ST/CLUT(GD)	6
7	7	09304H27001	09304H27001	09304H27001	09304H27001	09304H27001	09304H27001	09304H27001	09304H27001	09304H27001	BUSH,START CLU G	1

CAM CHAIN

FIG.	REF. NO.	ST-7								PART NAME	Q'TY
		내수	9EN01	9EU01	9F01	9G01	9S01	9US01	9US02		
9	1	12760HN9100	12760HN9100	12760HN9100	12760HN9100	12760HN9100	12760HN9100	12760HN9100	12760HN9100	CHAIN,CAM SHAFT	2
9	2	12771HN9100	12771HN9100	12771HN9100	12771HN9100	12771HN9100	12771HN9100	12771HN9100	12771HN9100	GUIDE,CAM CHAIN1	2
9	3	12811HN9101	12811HN9101	12811HN9101	12811HN9101	12811HN9101	12811HN9101	12811HN9101	12811HN9101	TENSIONER,CAM CH	2
9	4	08211-06181	08211-06181	08211-06181	08211-06181	08211-06181	08211-06181	08211-06181	08211-06181	WASHER CAM LINK	2
9	5	12812HN9101	12812HN9101	12812HN9101	12812HN9101	12812HN9101	12812HN9101	12812HN9101	12812HN9101	BOLT,CAM CH/TENS	2
9	6	12837HP8900	12837HP8900	12837HP8900	12837HP8900	12837HP8900	12837HP8900	12837HP8900	12837HP8900	GASKET,TEN/ADJUS	2
9	7	12830HN9120	12830HN9120	12830HN9120	12830HN9120	12830HN9120	12830HN9120	12830HN9120	12830HN9120	ADJUSTER,TENSION	2
9	8	07110-06208	07110-06208	07110-06208	07110-06208	07110-06208	07110-06208	07110-06208	07110-06208	BOLT FT FEN L	4
9	9	12839HN9120	12839HN9120	12839HN9120	12839HN9120	12839HN9120	12839HN9120	12839HN9120	12839HN9120	SCREW,TENSIONER ADJUSTER	2
9	10	12782HN9100	12782HN9100	12782HN9100	12782HN9100	12782HN9100	12782HN9100	12782HN9100	12782HN9100	GUIDE,CAM CHAIN2	2
9	11	07110-06108	07110-06108	07110-06108	07110-06108	07110-06108	07110-06108	07110-06108	07110-06108	BOLT,TAIL COV(MS	6

TTLE BODY ASS'Y

FIG.	REF. NO.	ST-7								PART NAME	Q'TY
		내수	9EN01	9EU01	9F01	9G01	9S01	9US01	9US02		
10	1	13400H99D00	13400H99D00	13400H99D00	13400H99D00	13400H99D00	13400H99D00	13400H99DB0	13400H99D00	BODY,THROTTLE	1
10	4	15710HP9310	15710HP9310	15710HP9310	15710HP9310	15710HP9310	15710HP9310	15710HP9310	15710HP9310	INJECTOR(GT650N)	2
10	5	13580HP9310	13580HP9310	13580HP9310	13580HP9310	13580HP9310	13580HP9310	13580HP9310	13580HP9310	SENSOR,THROTT(GT	1

11. ISC

FIG.	REF. NO.	ST-7								PART NAME	Q'TY
		내수	9EN01	9EU01	9F01	9G01	9S01	9US01	9US02		
11	1	37940HR8410	37940HR8410	37940HR8410	37940HR8410	37940HR8410	37940HR8410	37940HR8410	37940HR8410	SOLENOID ISC(GV)	1
11	2	18731H89800	18731H89800	18731H89800	18731H89800	18731H89800	18731H89800	18731H89800	18731H89800	HOSE,ISC NO.1(GV)	1
11	3	18741H89800	18741H89800	18741H89800	18741H89800	18741H89800	18741H89800	18741H89800	18741H89800	HOSE,ISC NO.2(GV)	1
11	4	18751H99D00	18751H99D00	18751H99D00	18751H99D00	18751H99D00	18751H99D00	18751H99D00	18751H99D00	HOSE,ISC AIR CLE	1
11	5	09401H13401	09401H13401	09401H13401	09401H13401	09401H13401	09401H13401	09401H13401	09401H13401	CLAMP,THERMOSTAT	2
11	6	09440-13019	09440-13019	09440-13019	09440-13019	09440-13019	09440-13019	09440-13019	09440-13019	SPRNG O/HOSE	3
11	7	09401H11402	09401H11402	09401H11402	09401H11402	09401H11402	09401H11402	09401H11402	09401H11402	CLAMP,RESERVER TANK	2
11	8	09401H11401	09401H11401	09401H11401	09401H11401	09401H11401	09401H11401	09401H11401	09401H11401	CLIP,INLET HOSE	2
11	9	01547-06208	01547-06208	01547-06208	01547-06208	01547-06208	01547-06208	01547-06208	01547-06208	BLT OIL STRA CAP	2

CLEANER&CHAMBER

FIG.	REF. NO.	ST-7									PART NAME	Q'TY
		내수	9EN01	9EU01	9F01	9G01	9S01	9US01	9US02			
12	1	13700H99D00	13700H99D00	13700H99D00	13700H99D00	13700H99D00	13700H99D00	13700H99D00	13700H99D00	13700H99D00	CLEANER ASSY,AIR	1
12	4	13780H99D00	13780H99D00	13780H99D00	13780H99D00	13780H99D00	13780H99D00	13780H99D00	13780H99D00	13780H99D00	FILTER COMP,AIR CLEANER	1
12	5	02142-05165	02142-05165	02142-05165	02142-05165	02142-05165	02142-05165	02142-05165	02142-05165	02142-05165	SCRW HD COV N1	4
12	6	09180H06175	09180H06175	09180H06175	09180H06175	09180H06175	09180H06175	09180H06175	09180H06175	09180H06175	SPCR TAIL/C SEAT	2
12	7	01517-06205	01517-06205	01517-06205	01517-06205	01517-06205	01517-06205	01517-06205	01517-06205	01517-06205	BLT SPORT CARR	2
12	8	13760H99D00	13760H99D00	13760H99D00	13760H99D00	13760H99D00	13760H99D00	13760H99D00	13760H99D00	13760H99D00	BRKT,AIR CLEANER	1
12	9	13831H99D00	13831H99D00	13831H99D00	13831H99D00	13831H99D00	13831H99D00	13831H99D00	13831H99D00	13831H99D00	TUBE,CONNECTING	1
12	11	47450H99D00	47450H99D00	47450H99D00	47450H99D00	47450H99D00	47450H99D00	47450H99D00	47450H99D00	47450H99D00	BRKT COMP, DECO	1
12	12	01517-06125	01517-06125	01517-06125	01517-06125	01517-06125	01517-06125	01517-06125	01517-06125	01517-06125	BLT COV C/HEAD	1
12	13	09320H06002	09320H06002	09320H06002	09320H06002	09320H06002	09320H06002	09320H06002	09320H06002	09320H06002	CUSHION, (GV)	1
12	14	01517-06125	01517-06125	01517-06125	01517-06125	01517-06125	01517-06125	01517-06125	01517-06125	01517-06125	BLT COV C/HEAD	2
12	15	13895HF4500	13895HF4500	13895HF4500	13895HF4500	13895HF4500	13895HF4500	13895HF4500	13895HF4500	13895HF4500	PLUG	2
12	16	09401-14301	09401-14301	09401-14301	09401-14301	09401-14301	09401-14301	09401-14301	09401-14301	09401-14301	CLIP	2
12	17	13800H99D00	13800H99D00	13800H99D00	13800H99D00	13800H99D00	13800H99D00	13800H99DB0	13800H99D00	13800H99D00	CHAMBER (GV700C)	1
12	20	09402-54207	09402-54207	09402-54207	09402-54207	09402-54207	09402-54207	09402-54207	09402-54207	09402-54207	CLAMP	2
12	25	37930H89300	37930H89300	37930H89300	37930H89300	37930H89300	37930H89300	37930H89300	37930H89300	37930H89300	SENSOR,INTAKE	1
12	26	09404-06401	09404-06401	09404-06401	09404-06401	09404-06401	09404-06401	09404-06401	09404-06401	09404-06401	CLMP OIL HOSE	1
12	27	03241-05125	03241-05125	03241-05125	03241-05125	03241-05125	03241-05125	03241-05125	03241-05125	03241-05125	SCREW	1
12	28	16821HP9800	16821HP9800	16821HP9800	16821HP9800	16821HP9800	16821HP9800	16821HP9800	16821HP9800	16821HP9800	HOSE,BREATHER OIL NO.1	1
12	29	18651HP7600	18651HP7600	18651HP7600	18651HP7600	18651HP7600	18651HP7600	18651HP7600	18651HP7600	18651HP7600	HOSE,2ND A/CLEAN	1
12	30	09401H16401	09401H16401	09401H16401	09401H16401	09401H16401	09401H16401	09401H16401	09401H16401	09401H16401	CLAMP,2ND AIR VA	2
12	31	09401H14401	09401H14401	09401H14401	09401H14401	09401H14401	09401H14401	09401H14401	09401H14401	09401H14401	CLAMP,BREATHER	2
12	32	13881HP9300	13881HP9300	13881HP9300	13881HP9300	13881HP9300	13881HP9300	13881HP9300	13881HP9300	13881HP9300	OUTLET TUBE	2

MUFFLER

FIG.	REF. NO.	ST-7									PART NAME	Q'TY
		내수	9EN01	9EU01	9F01	9G01	9S01	9US01	9US02			
13	0	14300H99D00PLH	14300H99D00PLH	14300H99D00PLH	14300H99D00PLH	14300H99D00PLH	14300H99D00PLH	14300H99D00PLH	14300H99D00PLH	14300H99D00PLH	MUFFLER ASSY	1
13	1	14302H99D00	14302H99D00	14302H99D00	14302H99D00	14302H99D00	14302H99D00	14302H99D00	14302H99D00	14302H99D00	MUFF RR(GV700C)	1
13	2	14301H99D00	14301H99D00	14301H99D00	14301H99D00	14301H99D00	14301H99D00	14301H99D00	14301H99D00	14301H99D00	MUFF FT (GV700C)	1
13	3	14150H99D00	14150H99D00	14150H99D00	14150H99D00	14150H99D00	14150H99D00	14150H99D00	14150H99D00	14150H99D00	PIPE,EXHAUST FT	1
13	4	14790H99D00	14790H99D00	14790H99D00	14790H99D00	14790H99D00	14790H99D00	14790H99D00	14790H99D00	14790H99D00	COVER COMP, MUFFLER REAR	2
13	5	14780H99D00	14780H99D00	14780H99D00	14780H99D00	14780H99D00	14780H99D00	14780H99D00	14780H99D00	14780H99D00	COVER COMP, MUFFLER BODY REAR	1
13	6	14160H99D00PAM	14160H99D00PAM	14160H99D00PAM	14160H99D00PAM	14160H99D00PAM	14160H99D00PAM	14160H99D00PAM	14160H99D00PAM	14160H99D00PAM	PIPE EXHAUST RR	1
13	8	14181-46E00	14181-46E00	14181-46E00	14181-46E00	14181-46E00	14181-46E00	14181-46E00	14181-46E00	14181-46E00	GSKT EX PIP	1
13	9	14773H99D00	14773H99D00	14773H99D00	14773H99D00	14773H99D00	14773H99D00	14773H99D00	14773H99D00	14773H99D00	GASKET, EXHAUST FT PIPE CONNEC	1
13	10	14770HG5802PAM	14770HG5802PAM	14770HG5802PAM	14770HG5802PAM	14770HG5802PAM	14770HG5802PAM	14770HG5802PAM	14770HG5802PAM	14770HG5802PAM	CONNECT COMP(RX)	1
13	11	14181HN9101	14181HN9101	14181HN9101	14181HN9101	14181HN9101	14181HN9101	14181HN9101	14181HN9101	14181HN9101	GASKET,EXHAUST	2
13	12	07110-08257	07110-08257	07110-08257	07110-08257	07110-08257	07110-08257	07110-08257	07110-08257	07110-08257	BLT,EXHAUST(GV65	4
13	13	14410H99D00	14410H99D00	14410H99D00	14410H99D00	14410H99D00	14410H99D00	14410H99D00	14410H99D00	14410H99D00	BRKT,MUFF SUPPOT	1
13	14	01517-08468	01517-08468	01517-08468	01517-08468	01517-08468	01517-08468	01517-08468	01517-08468	01517-08468	BOLT E/G UPP(GA)	1
13	15	09320H12059	09320H12059	09320H12059	09320H12059	09320H12059	09320H12059	09320H12059	09320H12059	09320H12059	CUSH,MUFF BKT	2
13	16	41160HN9101	41160HN9101	41160HN9101	41160HN9101	41160HN9101	41160HN9101	41160HN9101	41160HN9101	41160HN9101	SPACER,MUFF BKT	2
13	17	01527-10258	01527-10258	01527-10258	01527-10258	01527-10258	01527-10258	01527-10258	01527-10258	01527-10258	BLT PIL F/REST L	2
13	18	01517-08468	01517-08468	01517-08468	01517-08468	01517-08468	01517-08468	01517-08468	01517-08468	01517-08468	BOLT E/G UPP(GA)	2
13	19	09106H06031	09106H06031	09106H06031	09106H06031	09106H06031	09106H06031	09106H06031	09106H06031	09106H06031	BLT,EXHAUST PIPE	8
13	20	09160-08002	09160-08002	09160-08002	09160-08002	09160-08002	09160-08002	09160-08002	09160-08002	09160-08002	WSHR MUF 2ND	4
13	22	14740H99D00	14740H99D00	14740H99D00	14740H99D00	14740H99D00	14740H99D00	14740H99D00	14740H99D00	14740H99D00	COV,EX RR NO1	1
13	23	14751HP9501PLA	14751HP9501PLA	14751HP9501PLA	14751HP9501PLA	14751HP9501PLA	14751HP9501PLA	14751HP9501PLA	14751HP9501PLA	14751HP9501PLA	COV,EX RR PIPE	1
13	25	09106H06031	09106H06031	09106H06031	09106H06031	09106H06031	09106H06031	09106H06031	09106H06031	09106H06031	BLT,EXHAUST PIPE	2
13	26	14421H99D00	14421H99D00	14421H99D00	14421H99D00	14421H99D00	14421H99D00	14421H99D00	14421H99D00	14421H99D00	BRKT,MUFF BODY	1
13	27	08316-26086	08316-26086	08316-26086	08316-26086	08316-26086	08316-26086	08316-26086	08316-26086	08316-26086	NUT	1
13	29	14701H99D00	14701H99D00	14701H99D00	14701H99D00	14701H99D00	14701H99D00	14701H99D00	14701H99D00	14701H99D00	COVER,EX FT PIPE	1
13	30	01104-06065	01104-06065	01104-06065	01104-06065	01104-06065	01104-06065	01104-06065	01104-06065	01104-06065	BOLT MUFFLER DRAIN	4
13	31	01134-06128	01134-06128	01134-06128	01134-06128	01134-06128	01134-06128	01134-06128	01134-06128	01134-06128	BOLT	2
13	32	08321-21068	08321-21068	08321-21068	08321-21068	08321-21068	08321-21068	08321-21068	08321-21068	08321-21068	WASHER	8
13	33	08322-21068	08322-21068	08322-21068	08322-21068	08322-21068	08322-21068	08322-21068	08322-21068	08322-21068	WSHR H/LAMP	8
13	34	09106H06031	09106H06031	09106H06031	09106H06031	09106H06031	09106H06031	09106H06031	09106H06031	09106H06031	BLT,EXHAUST PIPE	2
13	35	14820H99D00	14820H99D00	14820H99D00	14820H99D00	14820H99D00	14820H99D00	14820H99D00	14820H99D00	14820H99D00	COV,EX RR NO2	1
13	36	14811H99D00	14811H99D00	14811H99D00	14811H99D00	14811H99D00	14811H99D00	14811H99D00	14811H99D00	14811H99D00	CUSHION,EX REAR	3
13	37	07110-08307	07110-08307	07110-08307	07110-08307	07110-08307	07110-08307	07110-08307	07110-08307	07110-08307	BLT,EXHAUST REAR	2
13	38	37950H99D00	37950H99D00	37950H99D00	37950H99D00	37950H99D00	37950H99D00	37950H99D00	37950H99D00	37950H99D00	SENSOR ASSY,OXYG	2
13	39	01137-08358	01137-08358	01137-08358	01137-08358	01137-08358	01137-08358	01137-08358	01137-08358	01137-08358	BLT MUF SUPP	1
13	40	09106H06080	09106H06080	09106H06080	09106H06080	09106H06080	09106H06080	09106H06080	09106H06080	09106H06080	BOLT,EXHAUST COV	2
13	41	09160H06005	09160H06005	09160H06005	09160H06005	09160H06005	09160H06005	09160H06005	09160H06005	09160H06005	WASHER,MUFFLER	2
13	45	14773HG5101	14773HG5101	14773HG5101	14773HG5101	14773HG5101	14773HG5101	14773HG5101	14773HG5101	14773HG5101	GASKET,CONNECTOR	1
13	46	14770HG5101PAM	14770HG5101PAM	14770HG5101PAM	14770HG5101PAM	14770HG5101PAM	14770HG5101PAM	14770HG5101PAM	14770HG5101PAM	14770HG5101PAM	CONNECTOR EX PIP	1

OIL PUMP

FIG.	REF. NO.	ST-7									PART NAME	Q'TY
		내수	9EN01	9EU01	9F01	9G01	9S01	9US01	9US02			
14	1	16400HN9101	16400HN9101	16400HN9101	16400HN9101	16400HN9101	16400HN9101	16400HN9101	16400HN9101	16400HN9101	PUMP ASSY,OIL(GT)	1
14	2	16331HN9104	16331HN9104	16331HN9104	16331HN9104	16331HN9104	16331HN9104	16331HN9104	16331HN9104	16331HN9104	GEAR OIL PUMP(TE)	1
14	3	09261H04001	09261H04001	09261H04001	09261H04001	09261H04001	09261H04001	09261H04001	09261H04001	09261H04001	PIN,OIL PUMP DRN	1
14	4	08331-31109	08331-31109	08331-31109	08331-31109	08331-31109	08331-31109	08331-31109	08331-31109	08331-31109	CIRCLIP (GV)	1
14	5	02112-06258	02112-06258	02112-06258	02112-06258	02112-06258	02112-06258	02112-06258	02112-06258	02112-06258	SCRW (SD)	3
14	6	16520HN9100	16520HN9100	16520HN9100	16520HN9100	16520HN9100	16520HN9100	16520HN9100	16520HN9100	16520HN9100	STRAINER,EG OIL	1
14	7	02112-95126	02112-95126	02112-95126	02112-95126	02112-95126	02112-95126	02112-95126	02112-95126	02112-95126	SCRW EG OIL STAT	2
14	9	09280H82001	09280H82001	09280H82001	09280H82001	09280H82001	09280H82001	09280H82001	09280H82001	09280H82001	O-RING,OIL STRAI	1
14	10	01547-06208	01547-06208	01547-06208	01547-06208	01547-06208	01547-06208	01547-06208	01547-06208	01547-06208	BLT OIL STRA CAP	3
14	12	09168-14002	09168-14002	09168-14002	09168-14002	09168-14002	09168-14002	09168-14002	09168-14002	09168-14002	GASKET,OIL DRAIN BOLT	1
14	13	16510HN9101HAS	16510HN9101HAS	16510HN9101HAS	16510HN9101HAS	16510HN9101HAS	16510HN9101HAS	16510HN9101HAS	16510HN9101HAS	16510HN9101HAS	FILTER COMP,ENGINE OIL	1
14	14	09280H16001	09280H16001	09280H16001	09280H16001	09280H16001	09280H16001	09280H16001	09280H16001	09280H16001	O-RING,OIL FILT	1
14	15	16512HN91200BF	16512HN91200BF	16512HN91200BF	16512HN91200BF	16512HN91200BF	16512HN91200BF	16512HN91200BF	16512HN91200BF	16512HN91200BF	CAP,OIL FILTER	1
14	16	09280H69001	09280H69001	09280H69001	09280H69001	09280H69001	09280H69001	09280H69001	09280H69001	09280H69001	O-RING,OIL FILT	1
14	17	09440H18001	09440H18001	09440H18001	09440H18001	09440H18001	09440H18001	09440H18001	09440H18001	09440H18001	SPRING,OIL FILT	1
14	18	01421-06128	01421-06128	01421-06128	01421-06128	01421-06128	01421-06128	01421-06128	01421-06128	01421-06128	STUD BLT OIL FIL	2
14	19	08313-11068	08313-11068	08313-11068	08313-11068	08313-11068	08313-11068	08313-11068	08313-11068	08313-11068	NUT	3
14	20	01421-06758	01421-06758	01421-06758	01421-06758	01421-06758	01421-06758	01421-06758	01421-06758	01421-06758	BOLT,O/FILTER CA	1
14	21	08331-31389	08331-31389	08331-31389	08331-31389	08331-31389	08331-31389	08331-31389	08331-31389	08331-31389	CIRCLIP,OIL PUMP	1
14	22	08211-10185	08211-10185	08211-10185	08211-10185	08211-10185	08211-10185	08211-10185	08211-10185	08211-10185	SHIM,OIL PUMP DR	1
14	23	16321HN9103	16321HN9103	16321HN9103	16321HN9103	16321HN9103	16321HN9103	16321HN9103	16321HN9103	16321HN9103	GR,OIL PUMP DRV	1
14	24	09261H06001	09261H06001	09261H06001	09261H06001	09261H06001	09261H06001	09261H06001	09261H06001	09261H06001	PIN,OIL PUMP GR	1

WATER PUMP

FIG.	REF. NO.	ST-7								PART NAME	Q'TY
		내수	9EN01	9EU01	9F01	9G01	9S01	9US01	9US02		
15	1	17400HP9502	17400HP9502	17400HP9502	17400HP9502	17400HP9502	17400HP9502	17400HP9502	17400HP9502	PUMP,WATER(GV650	1
15	2	01547-06308	01547-06308	01547-06308	01547-06308	01547-06308	01547-06308	01547-06308	01547-06308	BOLT MAG&CL COV	3
15	3	17491HN9100	17491HN9100	17491HN9100	17491HN9100	17491HN9100	17491HN9100	17491HN9100	17491HN9100	HOSE,WATER PUMP	1
15	4	09401H26402	09401H26402	09401H26402	09401H26402	09401H26402	09401H26402	09401H26402	09401H26402	CLAMP,WATER PUMP	2
15	5	17521HN9105	17521HN9105	17521HN9105	17521HN9105	17521HN9105	17521HN9105	17521HN9105	17521HN9105	GEAR WATER PUMP	1
15	6	08221-10185	08221-10185	08221-10185	08221-10185	08221-10185	08221-10185	08221-10185	08221-10185	SHIM,OIL PUMP DR	1
15	7	08331-31109	08331-31109	08331-31109	08331-31109	08331-31109	08331-31109	08331-31109	08331-31109	CIRCLIP (GV)	1
15	8	09261H04001	09261H04001	09261H04001	09261H04001	09261H04001	09261H04001	09261H04001	09261H04001	PIN,OIL PUMP DRN	1
15	9	17481HP9501PLA	17481HP9501PLA	17481HP9501PLA	17481HP9501PLA	17481HP9501PLA	17481HP9501PLA	17481HP9501PLA	17481HP9501PLA	COVER,WATER PUMP	1

DIATOR HOSE

FIG.	REF. NO.	내수	ST-7							PART NAME	Q'TY	
			9EN01	9EU01	9F01	9G01	9S01	9US01	9US02			
16	0	17610HP9300HPA	17610HP9300HPA	17610HP9300HPA	17610HP9300HPA	17610HP9300HPA	17610HP9300HPA	17610HP9300HPA	17610HP9300HPA	17610HP9300HPA	THERMOSTART ASS'Y	1
16	1	17621HP93000S1	17621HP93000S1	17621HP93000S1	17621HP93000S1	17621HP93000S1	17621HP93000S1	17621HP93000S1	17621HP93000S1	17621HP93000S1	CONNECTOR,THERMO	1
16	2	17631HN9100	17631HN9100	17631HN9100	17631HN9100	17631HN9100	17631HN9100	17631HN9100	17631HN9100	17631HN9100	CAP,THERMOSTART	1
16	3	17741H99D00	17741H99D00	17741H99D00	17741H99D00	17741H99D00	17741H99D00	17741H99D00	17741H99D00	17741H99D00	HOSE,RADIATOR IN	1
16	4	17751HP9501	17751HP9501	17751HP9501	17751HP9501	17751HP9501	17751HP9501	17751HP9501	17751HP9501	17751HP9501	HOSE,RADIATOR O	1
16	5	09401H26402	09401H26402	09401H26402	09401H26402	09401H26402	09401H26402	09401H26402	09401H26402	09401H26402	CLAMP,WATER PUMP	3
16	6	09401H31402	09401H31402	09401H31402	09401H31402	09401H31402	09401H31402	09401H31402	09401H31402	09401H31402	CLAMP,RADIAT INL	1
16	7	01547-06208	01547-06208	01547-06208	01547-06208	01547-06208	01547-06208	01547-06208	01547-06208	01547-06208	BLT OIL STRA CAP	2
16	8	17641HN9100	17641HN9100	17641HN9100	17641HN9100	17641HN9100	17641HN9100	17641HN9100	17641HN9100	17641HN9100	HOSE,THERMOSTART	1
16	9	09401H13401	09401H13401	09401H13401	09401H13401	09401H13401	09401H13401	09401H13401	09401H13401	09401H13401	CLAMP,THERMOSTAT	2
16	10	17661HN9100	17661HN9100	17661HN9100	17661HN9100	17661HN9100	17661HN9100	17661HN9100	17661HN9100	17661HN9100	HOSE,CONNECT INN	2
16	11	09401H24402	09401H24402	09401H24402	09401H24402	09401H24402	09401H24402	09401H24402	09401H24402	09401H24402	CLAMP,CONNECT IN	4
16	12	17610HN9100	17610HN9100	17610HN9100	17610HN9100	17610HN9100	17610HN9100	17610HN9100	17610HN9100	17610HN9100	THERMOSTART(GT65	1
16	13	17650HP9300	17650HP9300	17650HP9300	17650HP9300	17650HP9300	17650HP9300	17650HP9300	17650HP9300	17650HP9300	SENSOR,WATER TEM	1
16	14	17981H99D00	17981H99D00	17981H99D00	17981H99D00	17981H99D00	17981H99D00	17981H99D00	17981H99D00	17981H99D00	HOSE, RESERVER	1
16	15	09401H11403	09401H11403	09401H11403	09401H11403	09401H11403	09401H11403	09401H11403	09401H11403	09401H11403	CLAMP,RESERVER T	3
16	16	17911HP9503	17911HP9503	17911HP9503	17911HP9503	17911HP9503	17911HP9503	17911HP9503	17911HP9503	17911HP9503	TANK,RESERVER(GV	1
16	17	09136-06017	09136-06017	09136-06017	09136-06017	09136-06017	09136-06017	09136-06017	09136-06017	09136-06017	SCREW,AIR CLENR	1
16	18	52533HN9160	52533HN9160	52533HN9160	52533HN9160	52533HN9160	52533HN9160	52533HN9160	52533HN9160	52533HN9160	HOSE,F/TANK&PURG	1
16	19	17921HN9100	17921HN9100	17921HN9100	17921HN9100	17921HN9100	17921HN9100	17921HN9100	17921HN9100	17921HN9100	CAP,RESERVER TANK	1
16	20	17720HN9100	17720HN9100	17720HN9100	17720HN9100	17720HN9100	17720HN9100	17720HN9100	17720HN9100	17720HN9100	CAP,RADIATOR	1
16	21	17912HN9100	17912HN9100	17912HN9100	17912HN9100	17912HN9100	17912HN9100	17912HN9100	17912HN9100	17912HN9100	CUSH,RESERV TANK	2
16	22	09320-09016	09320-09016	09320-09016	09320-09016	09320-09016	09320-09016	09320-09016	09320-09016	09320-09016	CUSH TOOL HLDR	1
16	23	17731HP9500	17731HP9500	17731HP9500	17731HP9500	17731HP9500	17731HP9500	17731HP9500	17731HP9500	17731HP9500	CASE,RADIAT CAP	1
16	24	09401H22401	09401H22401	09401H22401	09401H22401	09401H22401	09401H22401	09401H22401	09401H22401	09401H22401	CALMP,RADIATOR CAP	2
16	26	17780HP9500PLA	17780HP9500PLA	17780HP9500PLA	17780HP9500PLA	17780HP9500PLA	17780HP9500PLA	17780HP9500PLA	17780HP9500PLA	17780HP9500PLA	COV,RADIATOR OUT	1

R, DECORATION

FIG.	REF. NO.	ST-7								PART NAME	Q'TY	
		내수	9EN01	9EU01	9F01	9G01	9S01	9US01	9US02			
17	1	47421H99D00CR	47421H99D00CR	47421H99D00CR	47421H99D00CR	47421H99D00CR	47421H99D00CR	47421H99D00CR	47421H99D00CR	47421H99D00CR	COV,DECO L (GV70)	1
17	2	09136-06022	09136-06022	09136-06022	09136-06022	09136-06022	09136-06022	09136-06022	09136-06022	09136-06022	SCRW COW	4
17	3	09320-09016	09320-09016	09320-09016	09320-09016	09320-09016	09320-09016	09320-09016	09320-09016	09320-09016	CUSH TOOL HLDR	4
17	4	09180-06114	09180-06114	09180-06114	09180-06114	09180-06114	09180-06114	09180-06114	09180-06114	09180-06114	SPAC B/COW FITT	4
17	5	47460H99D00	47460H99D00	47460H99D00	47460H99D00	47460H99D00	47460H99D00	47460H99D00	47460H99D00	47460H99D00	BRKT, DECO LH	1
17	6	09320H06002	09320H06002	09320H06002	09320H06002	09320H06002	09320H06002	09320H06002	09320H06002	09320H06002	CUSHION, (GV)	1
17	7	47411H99D00CR	47411H99D00CR	47411H99D00CR	47411H99D00CR	47411H99D00CR	47411H99D00CR	47411H99D00CR	47411H99D00CR	47411H99D00CR	COV,DECO R (GV70)	1

LUTCH ASSY

FIG.	REF. NO.	내수	ST-7								PART NAME	Q'TY
			9EN01	9EU01	9F01	9G01	9S01	9US01	9US02			
18	1	21210HN9101HPA	21210HN9101HPA	21210HN9101HPA	21210HN9101HPA	21210HN9101HPA	21210HN9101HPA	21210HN9101HPA	21210HN9101HPA	21210HN9101HPA	GEAR PRIMARY DRIVEN	1
18	2	09160H20003	09160H20003	09160H20003	09160H20003	09160H20003	09160H20003	09160H20003	09160H20003	09160H20003	WASH,PRIMARY DRI	1
18	3	21411HN9102	21411HN9102	21411HN9102	21411HN9102	21411HN9102	21411HN9102	21411HN9102	21411HN9102	21411HN9102	HUB,CLUTCH SLEEV	1
18	4	09164H46001	09164H46001	09164H46001	09164H46001	09164H46001	09164H46001	09164H46001	09164H46001	09164H46001	WASH,PRIM DRVN G	1
18	5	09140H20001	09140H20001	09140H20001	09140H20001	09140H20001	09140H20001	09140H20001	09140H20001	09140H20001	NUT,CLUTCH SLEEV	1
18	6	23114HN9100	23114HN9100	23114HN9100	23114HN9100	23114HN9100	23114HN9100	23114HN9100	23114HN9100	23114HN9100	ROD,CLUTCH PUSH	2
18	7	23110HN9102	23110HN9102	23110HN9102	23110HN9102	23110HN9102	23110HN9102	23110HN9102	23110HN9102	23110HN9102	ROD COMP,CLUT PU	1
18	8	09136-06017	09136-06017	09136-06017	09136-06017	09136-06017	09136-06017	09136-06017	09136-06017	09136-06017	SCREW,AIR CLENR	1
18	9	21441HN9100	21441HN9100	21441HN9100	21441HN9100	21441HN9100	21441HN9100	21441HN9100	21441HN9100	21441HN9100	PLT,CLUTCH DRV	7
18	10	21451HN9100	21451HN9100	21451HN9100	21451HN9100	21451HN9100	21451HN9100	21451HN9100	21451HN9100	21451HN9100	PLT,CLUTCH DRVN	6
18	11	23121-38201	23121-38201	23121-38201	23121-38201	23121-38201	23121-38201	23121-38201	23121-38201	23121-38201	PIECE CLUT/PUSH	1
18	12	09134-06010	09134-06010	09134-06010	09134-06010	09134-06010	09134-06010	09134-06010	09134-06010	09134-06010	SCRW CL RELEAS	1
18	13	08310-22068	08310-22068	08310-22068	08310-22068	08310-22068	08310-22068	08310-22068	08310-22068	08310-22068	NUT UNIT&COIL(FX	1
18	14	09263H15001	09263H15001	09263H15001	09263H15001	09263H15001	09263H15001	09263H15001	09263H15001	09263H15001	BG CL/RELEAS	1
18	15	09160-15045	09160-15045	09160-15045	09160-15045	09160-15045	09160-15045	09160-15045	09160-15045	09160-15045	THRUST WASHER	1
18	16	21462HN9101	21462HN9101	21462HN9101	21462HN9101	21462HN9101	21462HN9101	21462HN9101	21462HN9101	21462HN9101	DISK,CLUTCH PRES	1
18	17	09440H20003	09440H20003	09440H20003	09440H20003	09440H20003	09440H20003	09440H20003	09440H20003	09440H20003	SPR'G,CLUT(GT650	6
18	18	21471HN9102	21471HN9102	21471HN9102	21471HN9102	21471HN9102	21471HN9102	21471HN9102	21471HN9102	21471HN9102	RETAIN,CLU SPR'G	6
18	19	07110-06308	07110-06308	07110-06308	07110-06308	07110-06308	07110-06308	07110-06308	07110-06308	07110-06308	BLT MIRR	6
18	20	23271HN9100	23271HN9100	23271HN9100	23271HN9100	23271HN9100	23271HN9100	23271HN9100	23271HN9100	23271HN9100	ARM,CLUTCH RELEA	1
18	21	09282H12002	09282H12002	09282H12002	09282H12002	09282H12002	09282H12002	09282H12002	09282H12002	09282H12002	SEAL,CLUTCH RELE	1
18	22	08211-12281	08211-12281	08211-12281	08211-12281	08211-12281	08211-12281	08211-12281	08211-12281	08211-12281	WASHER,CRANK CAS	1
18	23	23122HN9100	23122HN9100	23122HN9100	23122HN9100	23122HN9100	23122HN9100	23122HN9100	23122HN9100	23122HN9100	SHAFT,CLUT RELE	1
18	24	01107-06208	01107-06208	01107-06208	01107-06208	01107-06208	01107-06208	01107-06208	01107-06208	01107-06208	BLT GR SHIFT	1
18	25	21442HN9110	21442HN9110	21442HN9110	21442HN9110	21442HN9110	21442HN9110	21442HN9110	21442HN9110	21442HN9110	PLA,CLUTCH DRIVE	1
18	26	21443HN9100	21443HN9100	21443HN9100	21443HN9100	21443HN9100	21443HN9100	21443HN9100	21443HN9100	21443HN9100	WASH,CLUT WAVE	1
18	27	21444HN9101	21444HN9101	21444HN9101	21444HN9101	21444HN9101	21444HN9101	21444HN9101	21444HN9101	21444HN9101	SEAT,CLUTCH WAVE	1
18	28	21251HN9102	21251HN9102	21251HN9102	21251HN9102	21251HN9102	21251HN9102	21251HN9102	21251HN9102	21251HN9102	SPACER,PRIM DRVN	1

TRANSMISSION

FIG.	REF. NO.	내수	ST-7								PART NAME	Q'TY
			9EN01	9EU01	9F01	9G01	9S01	9US01	9US02			
19	1-1	24130SP9500	24130SP9500	24130SP9500	24130SP9500	24130SP9500	24130SP9500	24130SP9500	24130SP9500	24130SP9500	SHAFT DRIVE COMP	1
19	2-1	24120SP9500	24120SP9500	24120SP9500	24120SP9500	24120SP9500	24120SP9500	24120SP9500	24120SP9500	24120SP9500	SHAFT COUNT COMP	1
19	1	24131HN9100	24131HN9100	24131HN9100	24131HN9100	24131HN9100	24131HN9100	24131HN9100	24131HN9100	24131HN9100	SHAFT DRIVE	1
19	2	24121HP9500	24121HP9500	24121HP9500	24121HP9500	24121HP9500	24121HP9500	24121HP9500	24121HP9500	24121HP9500	SHAFT,COUNT	1
19	3	24421HP9500	24421HP9500	24421HP9500	24421HP9500	24421HP9500	24421HP9500	24421HP9500	24421HP9500	24421HP9500	WHEEL,SLIDING DOG	1
19	4	24221HP9500	24221HP9500	24221HP9500	24221HP9500	24221HP9500	24221HP9500	24221HP9500	24221HP9500	24221HP9500	GEAR,2ND DRIVE	1
19	5	24231HP9500	24231HP9500	24231HP9500	24231HP9500	24231HP9500	24231HP9500	24231HP9500	24231HP9500	24231HP9500	GEAR,3RD&4TH DRIVE	1
19	6	24251HN9101	24251HN9101	24251HN9101	24251HN9101	24251HN9101	24251HN9101	24251HN9101	24251HN9101	24251HN9101	GEAR,5TH DRIVE	1
19	7	09380H25001	09380H25001	09380H25001	09380H25001	09380H25001	09380H25001	09380H25001	09380H25001	09380H25001	CLIP,CLUTCH HOUS	1
19	8	08113-63040	08113-63040	08113-63040	08113-63040	08113-63040	08113-63040	08113-63040	08113-63040	08113-63040	BG,COUNT SHAFT R	1
19	9	08113-63030	08113-63030	08113-63030	08113-63030	08113-63030	08113-63030	08113-63030	08113-63030	08113-63030	BEARING,DRIVE SHAFT	1
19	10	24741HN9100	24741HN9100	24741HN9100	24741HN9100	24741HN9100	24741HN9100	24741HN9100	24741HN9100	24741HN9100	RETAIN,COUNT SHA	1
19	11	02112-06128	02112-06128	02112-06128	02112-06128	02112-06128	02112-06128	02112-06128	02112-06128	02112-06128	SCRW CNT SHAFT	1
19	12	09159H20001	09159H20001	09159H20001	09159H20001	09159H20001	09159H20001	09159H20001	09159H20001	09159H20001	NUT,ENGINE SPRO	1
19	13	24311HN9100	24311HN9100	24311HN9100	24311HN9100	24311HN9100	24311HN9100	24311HN9100	24311HN9100	24311HN9100	GEAR,1ST DRIVEN	1
19	14	09181H20001	09181H20001	09181H20001	09181H20001	09181H20001	09181H20001	09181H20001	09181H20001	09181H20001	SHIM,1ST DRVN GR	1
19	15	24312HN9100	24312HN9100	24312HN9100	24312HN9100	24312HN9100	24312HN9100	24312HN9100	24312HN9100	24312HN9100	BUSH,1ST DRIVEN GEAR	1
19	16	24321HP9500	24321HP9500	24321HP9500	24321HP9500	24321HP9500	24321HP9500	24321HP9500	24321HP9500	24321HP9500	GEAR,2ND DRIVEN	1
19	17	09380H25001	09380H25001	09380H25001	09380H25001	09380H25001	09380H25001	09380H25001	09380H25001	09380H25001	CLIP,CLUTCH HOUS	1
19	18	24331HP9500	24331HP9500	24331HP9500	24331HP9500	24331HP9500	24331HP9500	24331HP9500	24331HP9500	24331HP9500	GEAR,3RD DRIVEN	1
19	19	09167H25001	09167H25001	09167H25001	09167H25001	09167H25001	09167H25001	09167H25001	09167H25001	09167H25001	WASH,6TH DRV GR	1
19	20	24341HN9100	24341HN9100	24341HN9100	24341HN9100	24341HN9100	24341HN9100	24341HN9100	24341HN9100	24341HN9100	GEAR,4TH DRIVEN	1
19	21	24351HN9101	24351HN9101	24351HN9101	24351HN9101	24351HN9101	24351HN9101	24351HN9101	24351HN9101	24351HN9101	GEAR,5TH DRIVEN	1
19	22	09167H25002	09167H25002	09167H25002	09167H25002	09167H25002	09167H25002	09167H25002	09167H25002	09167H25002	WASH,3RD&4TH DRN	1
19	23	08113-62030	08113-62030	08113-62030	08113-62030	08113-62030	08113-62030	08113-62030	08113-62030	08113-62030	BG DRV SHAFT	1
19	24	08123-63050	08123-63050	08123-63050	08123-63050	08123-63050	08123-63050	08123-63050	08123-63050	08123-63050	BG,DRV SHAFT L	1
19	25	09380H25001	09380H25001	09380H25001	09380H25001	09380H25001	09380H25001	09380H25001	09380H25001	09380H25001	CLIP,CLUTCH HOUS	1
19	26	09167H25001	09167H25001	09167H25001	09167H25001	09167H25001	09167H25001	09167H25001	09167H25001	09167H25001	WASH,6TH DRV GR	1
19	27	09282H36002	09282H36002	09282H36002	09282H36002	09282H36002	09282H36002	09282H36002	09282H36002	09282H36002	SEAL,DRV SHAFT O	1
19	28	24751HN9100	24751HN9100	24751HN9100	24751HN9100	24751HN9100	24751HN9100	24751HN9100	24751HN9100	24751HN9100	RETAIN,DRV SHAFT	1
19	29	01107-06106	01107-06106	01107-06106	01107-06106	01107-06106	01107-06106	01107-06106	01107-06106	01107-06106	BLT DR SH RETAI	1
19	30	27510HP9503	27510HP9503	27510HP9503	27510HP9503	27510HP9503	27510HP9503	27510HP9503	27510HP9503	27510HP9503	PULLY,DRIVE BELT	1
19	31	27531HN9100	27531HN9100	27531HN9100	27531HN9100	27531HN9100	27531HN9100	27531HN9100	27531HN9100	27531HN9100	SPACER,EG SPROCK	1
19	32	09280H24001	09280H24001	09280H24001	09280H24001	09280H24001	09280H24001	09280H24001	09280H24001	09280H24001	O-RING,EG SPROCK	1
19	33	09167H25004	09167H25004	09167H25004	09167H25004	09167H25004	09167H25004	09167H25004	09167H25004	09167H25004	WASH,E/G SPROCKE	1
19	34	09167H25001	09167H25001	09167H25001	09167H25001	09167H25001	09167H25001	09167H25001	09167H25001	09167H25001	WASH,6TH DRV GR	1
19	35	09380H25001	09380H25001	09380H25001	09380H25001	09380H25001	09380H25001	09380H25001	09380H25001	09380H25001	CLIP,CLUTCH HOUS	1
19	36	24322HN9100	24322HN9100	24322HN9100	24322HN9100	24322HN9100	24322HN9100	24322HN9100	24322HN9100	24322HN9100	BUSH,2ND DRVN GEAR	1
19	37	09181H17001	09181H17001	09181H17001	09181H17001	09181H17001	09181H17001	09181H17001	09181H17001	09181H17001	SHIM,DRV SHAFT	1
19	38	09380H25001	09380H25001	09380H25001	09380H25001	09380H25001	09380H25001	09380H25001	09380H25001	09380H25001	CLIP,CLUTCH HOUS	1
19	39	09380H22001	09380H22001	09380H22001	09380H22001	09380H22001	09380H22001	09380H22001	09380H22001	09380H22001	CIRCLIP,2ND DRV	1
19	40	24761HN9102	24761HN9102	24761HN9102	24761HN9102	24761HN9102	24761HN9102	24761HN9102	24761HN9102	24761HN9102	PIPE,T/M OIL/GT6	1

TRANSMISSION

FIG.	REF. NO.	내수	ST-7							PART NAME	Q'TY	
			9EN01	9EU01	9F01	9G01	9S01	9US01	9US02			
19	41	24741HN9100	24741HN9100	24741HN9100	24741HN9100	24741HN9100	24741HN9100	24741HN9100	24741HN9100	24741HN9100	RETAIN,COUNT SHA	
19	42	02112-06128	02112-06128	02112-06128	02112-06128	02112-06128	02112-06128	02112-06128	02112-06128	02112-06128	SCRW CNT SHAFT	1
19	43	24252HN9100	24252HN9100	24252HN9100	24252HN9100	24252HN9100	24252HN9100	24252HN9100	24252HN9100	24252HN9100	BUSH,5TH DRIVE GEAR	1
19	44	09181H25001	09181H25001	09181H25001	09181H25001	09181H25001	09181H25001	09181H25001	09181H25001	09181H25001	SHIM,5TH DRV GR	1
19	45	24332HN9100	24332HN9100	24332HN9100	24332HN9100	24332HN9100	24332HN9100	24332HN9100	24332HN9100	24332HN9100	BUSH,3RD/4TH DRIVEN GEAR	1
19	46	09167H25003	09167H25003	09167H25003	09167H25003	09167H25003	09167H25003	09167H25003	09167H25003	09167H25003	WASH,THRUST LOCK	1
19	47	24332HN9100	24332HN9100	24332HN9100	24332HN9100	24332HN9100	24332HN9100	24332HN9100	24332HN9100	24332HN9100	BUSH,3RD/4TH DRIVEN GEAR	1

RTING MOTOR

FIG.	REF. NO.	ST-7								PART NAME	Q'TY	
		내수	9EN01	9EU01	9F01	9G01	9S01	9US01	9US02			
21	1	31100HN9100	31100HN9100	31100HN9100	31100HN9100	31100HN9100	31100HN9100	31100HN9100	31100HN9100	31100HN9100	MOTOR START(GT65	1
21	2	08316-16068	08316-16068	08316-16068	08316-16068	08316-16068	08316-16068	08316-16068	08316-16068	08316-16068	NUT (SB)	1
21	3	08313-21068	08313-21068	08313-21068	08313-21068	08313-21068	08313-21068	08313-21068	08313-21068	08313-21068	NUT,START'G MOTOR BRACKET	2
21	4	01547-06308	01547-06308	01547-06308	01547-06308	01547-06308	01547-06308	01547-06308	01547-06308	01547-06308	BOLT MAG&CL COV	2

MAGNETO ASSY

FIG.	REF. NO.	ST-7								PART NAME	Q'TY	
		내수	9EN01	9EU01	9F01	9G01	9S01	9US01	9US02			
22	1	32100H99D00	32100H99D00	32100H99D00	32100H99D00	32100H99D00	32100H99D00	32100H99D00	32100H99D00	32100H99D00	MAGNETO AY(GV700)	1
22	2	32101HN9101	32101HN9101	32101HN9101	32101HN9101	32101HN9101	32101HN9101	32101HN9101	32101HN9101	32101HN9101	STATOR ASS'Y	1
22	3	32102H99D00	32102H99D00	32102H99D00	32102H99D00	32102H99D00	32102H99D00	32102H99D00	32102H99D00	32102H99D00	ROTOR	1
22	4	02142-05128	02142-05128	02142-05128	02142-05128	02142-05128	02142-05128	02142-05128	02142-05128	02142-05128	SCREW	2
22	5	07110-06308	07110-06308	07110-06308	07110-06308	07110-06308	07110-06308	07110-06308	07110-06308	07110-06308	BLT MIRR	3
22	6	09103H12001	09103H12001	09103H12001	09103H12001	09103H12001	09103H12001	09103H12001	09103H12001	09103H12001	BOLT,MAGNETO(GT6	1
22	7	09420H04001	09420H04001	09420H04001	09420H04001	09420H04001	09420H04001	09420H04001	09420H04001	09420H04001	KEY,MAGNETO(GT65	1
22	8	09160H12003	09160H12003	09160H12003	09160H12003	09160H12003	09160H12003	09160H12003	09160H12003	09160H12003	WASHER,MAGNETO	1

BATTERY

FIG.	REF. NO.	ST-7								PART NAME	Q'TY
		내수	9EN01	9EU01	9F01	9G01	9S01	9US01	9US02		
23	1	33610HM8110	33610HM8110	33610HM8110	33610HM8110	33610HM8110	33610HM8110	33610HM8110	33610HM8110	BATTERY ASSY(GT)	1
23	2	33860H99D00	33860H99D00	33860H99D00	33860H99D00	33860H99D00	33860H99D00	33860H99D00	33860H99D00	LEAD WIRE,BATT M	1

LECTRICAL

FIG.	REF. NO.	내수	ST-7								PART NAME	Q'TY	
			9EN01	9EU01	9F01	9G01	9S01	9US01	9US02				
24	1	31800HG5100	31800HG5100	31800HG5100	31800HG5100	31800HG5100	31800HG5100	31800HG5100	31800HG5100	31800HG5100	31800HG5100	RELAY ASSY,ST MO	1
24	2	08316-26066	08316-26066	08316-26066	08316-26066	08316-26066	08316-26066	08316-26066	08316-26066	08316-26066	08316-26066	NUT,REAR COMBI L	2
24	3	33840H99D00	33840H99D00	33840H99D00	33840H99D00	33840H99D00	33840H99D00	33840H99D00	33840H99D00	33840H99D00	33840H99D00	LEAD WIRE,BATT P	1
24	4	33850H99D00	33850H99D00	33850H99D00	33850H99D00	33850H99D00	33850H99D00	33850H99D00	33850H99D00	33850H99D00	33850H99D00	LEAD WIRE,STAR M	1
24	5	32800HN9110	32800HN9110	32800HN9110	32800HN9110	32800HN9110	32800HN9110	32800HN9110	32800HN9110	32800HN9110	32800HN9110	REFTIF REGULATOR	1
24	6	09128-06005	09128-06005	09128-06005	09128-06005	09128-06005	09128-06005	09128-06005	09128-06005	09128-06005	09128-06005	BLT F/COCK	2
24	7	33410H98A00	33410H98A00	33410H98A00	33410H98A00	33410H98A00	33410H98A00	33410H98A00	33410H98A00	33410H98A00	33410H98A00	COIL,IGNITION	1
24	8	33410H98A00	33410H98A00	33410H98A00	33410H98A00	33410H98A00	33410H98A00	33410H98A00	33410H98A00	33410H98A00	33410H98A00	COIL,IGNITION	1
24	9	09128H06052	09128H06052	09128H06052	09128H06052	09128H06052	09128H06052	09128H06052	09128H06052	09128H06052	09128H06052	BOLT IG COIL(GD)	2
24	10	33500HP9500	33500HP9500	33500HP9500	33500HP9500	33500HP9500	33500HP9500	33500HP9500	33500HP9500	33500HP9500	33500HP9500	CAP,SPARK PLUG	2
24	11	33541-23E01	33541-23E01	33541-23E01	33541-23E01	33541-23E01	33541-23E01	33541-23E01	33541-23E01	33541-23E01	33541-23E01	SEAL SPARK PLUG	2
24	12	33510-05C01	33510-05C01	33510-05C01	33510-05C01	33510-05C01	33510-05C01	33510-05C01	33510-05C01	33510-05C01	33510-05C01	CAP,S/PLUG (GV)	2
24	13	33542-98000	33542-98000	33542-98000	33542-98000	33542-98000	33542-98000	33542-98000	33542-98000	33542-98000	33542-98000	SEAL,HIGH TENSIO	2
24	14	33545HP9500	33545HP9500	33545HP9500	33545HP9500	33545HP9500	33545HP9500	33545HP9500	33545HP9500	33545HP9500	33545HP9500	BUSH,S/PLUG CAP	2
24	15	32900H99D00	32900H99D00	32900H99D00	32900H99D00	32900H99D00	32900H99D00	32900H99D00	32900H99D00	32900H99D00	32900H99D00	E/G CONTROL UNIT	1
24	16	38740HM5401	38740HM5401	38740HM5401	38740HM5401	38740HM5401	38740HM5401	38740HM5401	38740HM5401	38740HM5401	38740HM5401	RELAY ASSY(GT650	4
24	17	38740HG5100	38740HG5100	38740HG5100	38740HG5100	38740HG5100	38740HG5100	38740HG5100	38740HG5100	38740HG5100	38740HG5100	RELAY ASSY(GV65	1
24	18	01514-06166	01514-06166	01514-06166	01514-06166	01514-06166	01514-06166	01514-06166	01514-06166	01514-06166	01514-06166	BLT L/SHLD	2
24	19	36740-35C00	36740-35C00	36740-35C00	36740-35C00	36740-35C00	36740-35C00	36740-35C00	36740-35C00	36740-35C00	36740-35C00	BOX ASSY FUSE(15	1
24	20	36740HN9100	36740HN9100	36740HN9100	36740HN9100	36740HN9100	36740HN9100	36740HN9100	36740HN9100	36740HN9100	36740HN9100	BOX ASSY,FUSE(30	1
24	21	38610HR9750	38610HR9750	38610HR9750	38610HR9750	38610HR9750	38610HR9750	38610HR9750	38610HR9750	38610HR9750	38610HR9750	RELAY,T/SIGNAL	1
24	22	01517-06166	01517-06166	01517-06166	01517-06166	01517-06166	01517-06166	01517-06166	01517-06166	01517-06166	01517-06166	BOLT,STEER'G LOC	2
24	23	09128-06005	09128-06005	09128-06005	09128-06005	09128-06005	09128-06005	09128-06005	09128-06005	09128-06005	09128-06005	BLT F/COCK	2
24	24	41320H99D00	41320H99D00	41320H99D00	41320H99D00	41320H99D00	41320H99D00	41320H99D00	41320H99D00	41320H99D00	41320H99D00	BRKT,ECU (GV700C	1
24	25	09106H05150	09106H05150	09106H05150	09106H05150	09106H05150	09106H05150	09106H05150	09106H05150	09106H05150	09106H05150	WRENCH BOLT 5*15	2

DOMETER ASSY

FIG.	REF. NO.	ST-7								PART NAME	Q'TY
		내수	9EN01	9EU01	9F01	9G01	9S01	9US01	9US02		
25	1	34100H99D00	34100H99DB0	34100H99D00	34100H99D00	34100H99D00	34100H99D00	34100H99DB0	34100H99DB0	SPEEDOMETER (GY)	1
25	2	09320-09016	09320-09016	09320-09016	09320-09016	09320-09016	09320-09016	09320-09016	09320-09016	CUSH TOOL HLDR	2
25	3	09106H06160	09106H06160	09106H06160	09106H06160	09106H06160	09106H06160	09106H06160	09106H06160	BOLT,SPEEDOMETER	2
25	4	47115H99D00CR	47115H99D00CR	47115H99D00CR	47115H99D00CR	47115H99D00CR	47115H99D00CR	47115H99D00CR	47115H99D00CR	CAP,S/METER BOLT	2

HEAD LAMP

FIG.	REF. NO.	ST-7								PART NAME	Q'TY	
		내수	9EN01	9EU01	9F01	9G01	9S01	9US01	9US02			
26	1	35100H99D00	35100H99DG0	35100H99D00	35100H99D00	35100H99D00	35100H99D00	35100H99D00	35100H99DB0	35100H99DB0	HEAD LAMP(GV700)	1
26	5	09471H12103	09471H12103	09471H12103	09471H12103	09471H12103	09471H12103	09471H12103	09471H12103	09471H12103	BULB,H/LAMP(GT25)	1
26	6	09471H12110	09471H12110	09471H12110	09471H12110	09471H12110	09471H12110	09471H12110	09471H12110	09471H12110	BULB,POSITI LAMP	1
26	8	09148-05039	09148-05039	09148-05039	09148-05039	09148-05039	09148-05039	09148-05039	09148-05039	09148-05039	NUT H/LAMP COW	2
26	9	09404-08403	09404-08403	09404-08403	09404-08403	09404-08403	09404-08403	09404-08403	09404-08403	09404-08403	CLMP W/HAR	1

TURN SIGNAL LAMP

FIG.	REF. NO.	ST-7								PART NAME	Q'TY
		내수	9EN01	9EU01	9F01	9G01	9S01	9US01	9US02		
27	1	35601HP9501	35601HP9501	35601HP9501	35601HP9501	35601HP9501	35601HP9501	35601HP9501	35601HP9501	LAMP,FT T/SIG R	1
27	2	35602HP9501	35602HP9501	35602HP9501	35602HP9501	35602HP9501	35602HP9501	35602HP9501	35602HP9501	LAMP,FT T/SIG L	1
27	3	35614HP9500	35614HP9500	35614HP9500	35614HP9500	35614HP9500	35614HP9500	35614HP9500	35614HP9500	REFLE,T/SIG LAMP	2
27	4	09471H12112	09471H12112	09471H12112	09471H12112	09471H12112	09471H12112	09471H12112	09471H12112	BULB(12V G18:RY1	2
27	5	02142-05128	02142-05128	02142-05128	02142-05128	02142-05128	02142-05128	02142-05128	02142-05128	SCREW,BATT COVER	2
27	6	35609H93B00	35609H93B00	35609H93B00	35609H93B00	35609H93B00	35609H93B00	35609H93B00	35609H93B00	VINYL WASHER(GA)	2

P ASS'Y, T/S REAR

FIG.	REF. NO.	ST-7								PART NAME	Q'TY
		내수	9EN01	9EU01	9F01	9G01	9S01	9US01	9US02		
27-1	1	35603HS8400	35603HS8400	35603HS8400	35603HS8400	35603HS8400	35603HS8400	35603HS8400	35603HS8400	LAMP,RR T/SIG R	1
27-1	2	35604HS8400	35604HS8400	35604HS8400	35604HS8400	35604HS8400	35604HS8400	35604HS8400	35604HS8400	LAMP,RR T/SIG L	1
27-1	3	35614HP9500	35614HP9500	35614HP9500	35614HP9500	35614HP9500	35614HP9500	35614HP9500	35614HP9500	REFLE,T/SIG LAMP	2
27-1	5	02142-05128	02142-05128	02142-05128	02142-05128	02142-05128	02142-05128	02142-05128	02142-05128	SCREW,BATT COVER	2
27-1	6	35609H93B00	35609H93B00	35609H93B00	35609H93B00	35609H93B00	35609H93B00	35609H93B00	35609H93B00	VINYL WASHER(GA)	2

RING HARNESS

FIG.	REF. NO.	ST-7									PART NAME	Q'TY
		내수	9EN01	9EU01	9F01	9G01	9S01	9US01	9US02			
28	1	36610H99D00	36610H99D00	36610H99D00	36610H99D00	36610H99D00	36610H99D00	36610H99DB0	36610H99D00	HARNESS, WIRING	1	
28	2	38500HP9510	38500HP9510	38500HP9510	38500HP9510	38500HP9510	38500HP9510	38500HP9510	38500HP9510	HORN ASSY (GV650)	1	
28	3	37000H99D00	37000H99D00	37000H99D00	37000H99D00	37000H99D00	37000H99D00	37000H99DB0	37000H99D00	KEY SET (GV700C)	1	
28	4	09128-06005	09128-06005	09128-06005	09128-06005	09128-06005	09128-06005	09128-06005	09128-06005	BLT F/COCK	2	
28	5	37740HP9500	37740HP9500	37740HP9500	37740HP9500	37740HP9500	37740HP9500	37740HP9500	37740HP9500	SW,RR STOP(GV650)	1	
28	6	02142-06126	02142-06126	02142-06126	02142-06126	02142-06126	02142-06126	02142-06126	02142-06126	SCREW UPP CABLE	1	
28	7	09407-14403	09407-14403	09407-14403	09407-14403	09407-14403	09407-14403	09407-14403	09407-14403	CLMP STRAINER(EZ)	2	
28	8	09407-22402	09407-22402	09407-22402	09407-22402	09407-22402	09407-22402	09407-22402	09407-22402	CLMP W/HAR (EZ)	1	
28	10	09407-20406	09407-20406	09407-20406	09407-20406	09407-20406	09407-20406	09407-20406	09407-20406	CLAMP,WIR'G HARN	1	
28	11	09404-06405	09404-06405	09404-06405	09404-06405	09404-06405	09404-06405	09404-06405	09404-06405	CLMP W/HAR	1	
28	13	37890HP8810	37890HP8810	37890HP8810	37890HP8810	37890HP8810	37890HP8810	37890HP8810	37890HP8810	SENSOR,TIP OVER	1	
28	14	36670H99D00	36670H99D00	36670H99D00	36670H99D00	36670H99D00	36670H99D00	36670H99D00	36670H99D00	L/WIRE,RR COMBI	1	
28	15	17660H99D00	17660H99D00	17660H99D00	17660H99D00	17660H99D00	17660H99D00	17660H99D00	17660H99D00	L/WIRE,SENSOR PA	1	
28	16	02142-06165	02142-06165	02142-06165	02142-06165	02142-06165	02142-06165	02142-06165	02142-06165	SCRW SHLD LOW(GF)	1	
28	17	63529H99D00	63529H99D00	63529H99D00	63529H99D00	63529H99D00	63529H99D00	63529H99D00	63529H99D00	PLTE,HELMET LOCK	1	
28	18	01104-08108	01104-08108	01104-08108	01104-08108	01104-08108	01104-08108	01104-08108	01104-08108	BOLT,HELMET LOCK	1	
28	19	01104-06108	01104-06108	01104-06108	01104-06108	01104-06108	01104-06108	01104-06108	01104-06108	BLT C/CASE(GA)	1	
28	20	09443H06017	09443H06017	09443H06017	09443H06017	09443H06017	09443H06017	09443H06017	09443H06017	SPR,STOP LAMP SW	1	

R COMBI LAMP

FIG.	REF.		ST-7							PART NAME	Q'TY	
	NO.	내수	9EN01	9EU01	9F01	9G01	9S01	9US01	9US02			
29	1	35710H99D00	35710H99D00	35710H99D00	35710H99D00	35710H99D00	35710H99D00	35710H99D00	35710H99D00	35710H99D00	LAMP,REAR COMBI	1
29	3	09160-06057	09160-06057	09160-06057	09160-06057	09160-06057	09160-06057	09160-06057	09160-06057	09160-06057	WASH,H/LAMP HOUS	3
29	4	08316-16066	08316-16066	08316-16066	08316-16066	08316-16066	08316-16066	08316-16066	08316-16066	08316-16066	NUT,RR COMBI	3

0. FRAME

FIG.	REF. NO.	내수	ST-7								PART NAME	Q'TY
			9EN01	9EU01	9F01	9G01	9S01	9US01	9US02			
30	1	41100H99D00PAM	41100H99D00PAM	41100H99D00PAM	41100H99D00PAM	41100H99D00PAM	41100H99D00PAM	41100H99D00PAM	41100H99DB00PAM	41100H99DA0PAM	FRAME COMP(GV700	1
30	2	41165HP9501	41165HP9501	41165HP9501	41165HP9501	41165HP9501	41165HP9501	41165HP9501	41165HP9501	41165HP9501	SHAFT,EG MTG FT	1
30	3	09141H26001	09141H26001	09141H26001	09141H26001	09141H26001	09141H26001	09141H26001	09141H26001	09141H26001	LOCK NUT,EG MTG	1
30	4	41191HN9101	41191HN9101	41191HN9101	41191HN9101	41191HN9101	41191HN9101	41191HN9101	41191HN9101	41191HN9101	SHAFT EG MTG RR	1
30	5	09141H20001	09141H20001	09141H20001	09141H20001	09141H20001	09141H20001	09141H20001	09141H20001	09141H20001	LOCK NUT,EG MTG	1
30	6	61211HP9501	61211HP9501	61211HP9501	61211HP9501	61211HP9501	61211HP9501	61211HP9501	61211HP9501	61211HP9501	SHAFT,RR S/ARM P	1
30	7	41181HP9500	41181HP9500	41181HP9500	41181HP9500	41181HP9500	41181HP9500	41181HP9500	41181HP9500	41181HP9500	SHAFT,EG MTG RR	1
30	8	41150H99D00PAM	41150H99D00PAM	41150H99D00PAM	41150H99D00PAM	41150H99D00PAM	41150H99D00PAM	41150H99D00PAM	41150H99D00PAM	41150H99D00PAM	TUBE COMP,FRAME DOWN L	1
30	9	07110-08358	07110-08358	07110-08358	07110-08358	07110-08358	07110-08358	07110-08358	07110-08358	07110-08358	BLT PILL RIDER	4
30	10	08316-16088	08316-16088	08316-16088	08316-16088	08316-16088	08316-16088	08316-16088	08316-16088	08316-16088	NUT C/HEAD	1
30	11	08319-31128	08319-31128	08319-31128	08319-31128	08319-31128	08319-31128	08319-31128	08319-31128	08319-31128	NUT S/ARM PIVOT	1
30	12	08319-31108	08319-31108	08319-31108	08319-31108	08319-31108	08319-31108	08319-31108	08319-31108	08319-31108	NUT FT SORBR	1
30	13	08319-31108	08319-31108	08319-31108	08319-31108	08319-31108	08319-31108	08319-31108	08319-31108	08319-31108	NUT FT SORBR	1
30	14	08316-16088	08316-16088	08316-16088	08316-16088	08316-16088	08316-16088	08316-16088	08316-16088	08316-16088	NUT C/HEAD	4
30	15	41975HP9502120	41975HP9502120	41975HP9502120	41975HP9502120	41975HP9502120	41975HP9502120	41975HP9502120	41975HP9502120	41975HP9502120	CAP,FRAME BRIDGE	2
30	16	41977HP9502	41977HP9502	41977HP9502	41977HP9502	41977HP9502	41977HP9502	41977HP9502	41977HP9502	41977HP9502	CAP,RR S/ARM BOS	1
30	17	41976HP9502	41976HP9502	41976HP9502	41976HP9502	41976HP9502	41976HP9502	41976HP9502	41976HP9502	41976HP9502	CAP,E/G MTG BOSS	1
30	18	41170HP9500	41170HP9500	41170HP9500	41170HP9500	41170HP9500	41170HP9500	41170HP9500	41170HP9500	41170HP9500	SPCR,EG MTG FT L	1
30	19	09320H12025	09320H12025	09320H12025	09320H12025	09320H12025	09320H12025	09320H12025	09320H12025	09320H12025	CUSH,EG MTG FT L	2
30	20	41167HP9500	41167HP9500	41167HP9500	41167HP9500	41167HP9500	41167HP9500	41167HP9500	41167HP9500	41167HP9500	SPCR,EG MOUNT FT	1
30	21	41161HP9500	41161HP9500	41161HP9500	41161HP9500	41161HP9500	41161HP9500	41161HP9500	41161HP9500	41161HP9500	SPCR,EG MOUNT FT	1

PROP STAND

FIG.	REF. NO.	내수	ST-7							PART NAME	Q'TY	
			9EN01	9EU01	9F01	9G01	9S01	9US01	9US02			
31	1	42310HP9504PLA	42310HP9504PLA	42310HP9504PLA	42310HP9504PLA	42310HP9504PLA	42310HP9504PLA	42310HP9504PLA	42310HP9504PLA	42310HP9504PLA	STAND COMP,PROP	1
31	2	09111H10052	09111H10052	09111H10052	09111H10052	09111H10052	09111H10052	09111H10052	09111H10052	09111H10052	BOLT,PROP STAND	1
31	3	08310-22106	08310-22106	08310-22106	08310-22106	08310-22106	08310-22106	08310-22106	08310-22106	08310-22106	NUT,PROP STAN(GV	1
31	4	09443-15047	09443-15047	09443-15047	09443-15047	09443-15047	09443-15047	09443-15047	09443-15047	09443-15047	SPRNG CEN/ST	1
31	5	09443-06001	09443-06001	09443-06001	09443-06001	09443-06001	09443-06001	09443-06001	09443-06001	09443-06001	SPR,PROP S/T INN	1
31	6	08221-12225	08221-12225	08221-12225	08221-12225	08221-12225	08221-12225	08221-12225	08221-12225	08221-12225	SHIM PROP STAND	1
31	7	37840HP9500	37840HP9500	37840HP9500	37840HP9500	37840HP9500	37840HP9500	37840HP9500	37840HP9500	37840HP9500	SW ASSY,S/STAND	1
31	8	01517-06206	01517-06206	01517-06206	01517-06206	01517-06206	01517-06206	01517-06206	01517-06206	01517-06206	BLT F/COCK	2

EAR BRAKE

FIG.	REF. NO.	내수	ST-7							PART NAME	Q'TY	
			9EN01	9EU01	9F01	9G01	9S01	9US01	9US02			
32	1	43110HP9502PLA	43110HP9502PLA	43110HP9502PLA	43110HP9502PLA	43110HP9502PLA	43110HP9502PLA	43110HP9502PLA	43110HP9502PLA	43110HP9502PLA	BRAKE COMP,PEDAL	1
32	2	43510HP9502PLA	43510HP9502PLA	43510HP9502PLA	43510HP9502PLA	43510HP9502PLA	43510HP9502PLA	43510HP9502PLA	43510HP9502PLA	43510HP9502PLA	BOSS,FT FOOTREST	1
32	3	43580HP9502PLA	43580HP9502PLA	43580HP9502PLA	43580HP9502PLA	43580HP9502PLA	43580HP9502PLA	43580HP9502PLA	43580HP9502PLA	43580HP9502PLA	BKT,FT FOOT R(GV	1
32	5	09443H10011	09443H10011	09443H10011	09443H10011	09443H10011	09443H10011	09443H10011	09443H10011	09443H10011	SPR,BRAKE PEDAL	1
32	6	43550H93B00	43550H93B00	43550H93B00	43550H93B00	43550H93B00	43550H93B00	43550H93B00	43550H93B00	43550H93B00	RUBBER CMP (GA)	1
32	7	43501HP9500	43501HP9500	43501HP9500	43501HP9500	43501HP9500	43501HP9500	43501HP9500	43501HP9500	43501HP9500	F/REST,FT R(GV65	1
32	8	69609HP9501	69609HP9501	69609HP9501	69609HP9501	69609HP9501	69609HP9501	69609HP9501	69609HP9501	69609HP9501	CYL SET,RR MAST	1
32	9	69740HM8100	69740HM8100	69740HM8100	69740HM8100	69740HM8100	69740HM8100	69740HM8100	69740HM8100	69740HM8100	TANK ASSY,RESERV	1
32	11	09400H13001	09400H13001	09400H13001	09400H13001	09400H13001	09400H13001	09400H13001	09400H13001	09400H13001	CLAMP,RESER TANK	2
32	12	01517-06205	01517-06205	01517-06205	01517-06205	01517-06205	01517-06205	01517-06205	01517-06205	01517-06205	BLT SPORT CARR	1
32	13	09160-06019	09160-06019	09160-06019	09160-06019	09160-06019	09160-06019	09160-06019	09160-06019	09160-06019	WSHR	1
32	15	09448H16001	09448H16001	09448H16001	09448H16001	09448H16001	09448H16001	09448H16001	09448H16001	09448H16001	SPRING (GA)	1
32	16	08332-11106	08332-11106	08332-11106	08332-11106	08332-11106	08332-11106	08332-11106	08332-11106	08332-11106	E-RING FOOT (GA)	1
32	17	07110-06128	07110-06128	07110-06128	07110-06128	07110-06128	07110-06128	07110-06128	07110-06128	07110-06128	BLT SEAT LOCK	2
32	18	09200H12001	09200H12001	09200H12001	09200H12001	09200H12001	09200H12001	09200H12001	09200H12001	09200H12001	PIN (GA)	1
32	19	43572HP9500PLA	43572HP9500PLA	43572HP9500PLA	43572HP9500PLA	43572HP9500PLA	43572HP9500PLA	43572HP9500PLA	43572HP9500PLA	43572HP9500PLA	CAP FT FOOTREST	1
32	20	07110-10258	07110-10258	07110-10258	07110-10258	07110-10258	07110-10258	07110-10258	07110-10258	07110-10258	BLT FT F/REST B	1

FOOTREST

FIG.	REF. NO.	내수	ST-7							PART NAME	Q'TY	
			9EN01	9EU01	9F01	9G01	9S01	9US01	9US02			
33	1	43590HP9501PLA	43590HP9501PLA	43590HP9501PLA	43590HP9501PLA	43590HP9501PLA	43590HP9501PLA	43590HP9501PLA	43590HP9501PLA	43590HP9501PLA	BKT,FT FOOTREST	1
33	2	25600HP9502PLA									LEV,GR SHIFT CAM	1
33	3		25600HP9550PLA	25600HP9550PLA	25600HP9550PLA	25600HP9550PLA	25600HP9550PLA	25600HP9550PLA	25600HP9550PLA	25600HP9550PLA	LEVER SET,GEAR SHIFT	1
33	4	43502HP9500	43502HP9500	43502HP9500	43502HP9500	43502HP9500	43502HP9500	43502HP9500	43502HP9500	43502HP9500	F/REST,FT L(GV65	1
33	5	43581HP9500	43581HP9500	43581HP9500	43581HP9500	43581HP9500	43581HP9500	43581HP9500	43581HP9500	43581HP9500	BAR,FT F/REST LH	1
33	6	43550H93B00	43550H93B00	43550H93B00	43550H93B00	43550H93B00	43550H93B00	43550H93B00	43550H93B00	43550H93B00	RUBBER CMP (GA)	1
33	7	07110-06128	07110-06128	07110-06128	07110-06128	07110-06128	07110-06128	07110-06128	07110-06128	07110-06128	BLT SEAT LOCK	2
33	8	09448H16001	09448H16001	09448H16001	09448H16001	09448H16001	09448H16001	09448H16001	09448H16001	09448H16001	SPRING (GA)	1
33	10	08332-11106	08332-11106	08332-11106	08332-11106	08332-11106	08332-11106	08332-11106	08332-11106	08332-11106	E-RING FOOT (GA)	2
33	11	43572HP9500PLA	43572HP9500PLA	43572HP9500PLA	43572HP9500PLA	43572HP9500PLA	43572HP9500PLA	43572HP9500PLA	43572HP9500PLA	43572HP9500PLA	CAP FT FOOTREST	2
33	12	07110H10258	07110H10258	07110H10258	07110H10258	07110H10258	07110H10258	07110H10258	07110H10258	07110H10258	BOLT,FT FOOTREST	2
33	13	43600H93B00	43600H93B00	43600H93B00	43600H93B00	43600H93B00	43600H93B00	43600H93B00	43600H93B00	43600H93B00	FOOT PILL R(GA)	1
33	14	43700H93B00	43700H93B00	43700H93B00	43700H93B00	43700H93B00	43700H93B00	43700H93B00	43700H93B00	43700H93B00	FOOT PILL L(GA)	1
33	15	43612-05351	43612-05351	43612-05351	43612-05351	43612-05351	43612-05351	43612-05351	43612-05351	43612-05351	RUBBER PILL (GA)	1
33	16	09200-06010	09200-06010	09200-06010	09200-06010	09200-06010	09200-06010	09200-06010	09200-06010	09200-06010	PIN P/FOOTRE(GA)	2
33	17	04111-20206	04111-20206	04111-20206	04111-20206	04111-20206	04111-20206	04111-20206	04111-20206	04111-20206	COTT PIN SEER SH	2
33	18	43631-05350	43631-05350	43631-05350	43631-05350	43631-05350	43631-05350	43631-05350	43631-05350	43631-05350	WASH,PILL F/REST	2
33	19	43610-05350	43610-05350	43610-05350	43610-05350	43610-05350	43610-05350	43610-05350	43610-05350	43610-05350	BAR PIL F/REST R	1
33	20	43620-05350	43620-05350	43620-05350	43620-05350	43620-05350	43620-05350	43620-05350	43620-05350	43620-05350	BAR PIL F/REST L	1

FUEL TANK

FIG.	REF. NO.	내수	ST-7							PART NAME	Q'TY	
			9EN01	9EU01	9F01	9G01	9S01	9US01	9US02			
34	1	44110H99D00DBK	44110H99D00DBK	44110H99D00DBK	44110H99D00DBK	44110H99D00DBK	44110H99D00DBK	44110H99D00DBK	44110H99DB0DBK	44110H99D00DBK	FUEL TANK(GV700C	1
34	1-1	44110H99D00DPR	44110H99D00DPR	44110H99D00DPR	44110H99D00DPR	44110H99D00DPR	44110H99D00DPR	44110H99D00DPR	44110H99DB0DPR	44110H99D00DPR	FUEL TANK(GV700C	1
34	1-2	44110H99D00DWP	44110H99D00DWP	44110H99D00DWP	44110H99D00DWP	44110H99D00DWP	44110H99D00DWP	44110H99D00DWP	44110H99DB0DWP	44110H99D00DWP	FUEL TANK(GV700C	1
34	1-3	68120H99D00CR	68120H99D00CR	68120H99D00CR	68120H99D00CR	68120H99D00CR	68120H99D00CR	68120H99D00CR	68120H99D00CR	68120H99D00CR	EMBLEM,FUEL TANK	2
34	2	44119H99D00	44119H99D00	44119H99D00	44119H99D00	44119H99D00	44119H99D00	44119H99D00	44119H99D00	44119H99D00	TAPE,F/TANK&FT S	1
34	3	44215H99D00	44215H99D00	44215H99D00	44215H99D00	44215H99D00	44215H99D00	44215H99D00	44215H99D00	44215H99D00	HEAT SHLD,F/TANK	1
34	4	44121H99D00	44121H99D00	44121H99D00	44121H99D00	44121H99D00	44121H99D00	44121H99D00	44121H99D00	44121H99D00	CUSHION,F/TANK	1
34	5	44216H99D00	44216H99D00	44216H99D00	44216H99D00	44216H99D00	44216H99D00	44216H99D00	44216H99D00	44216H99D00	CUSHION, F/TANK	1
34	6	09329-10007	09329-10007	09329-10007	09329-10007	09329-10007	09329-10007	09329-10007	09329-10007	09329-10007	CUSH	2
34	7	11393HP7600	11393HP7600	11393HP7600	11393HP7600	11393HP7600	11393HP7600	11393HP7600	11393HP7600	11393HP7600	F/TANK MAGNETO	1
34	8	09180H06003	09180H06003	09180H06003	09180H06003	09180H06003	09180H06003	09180H06003	09180H06003	09180H06003	SPACER,F/TANK(GV	2
34	9	09116H06084	09116H06084	09116H06084	09116H06084	09116H06084	09116H06084	09116H06084	09116H06084	09116H06084	BOLT,F/TANK RR C	2
34	10	44542-38300	44542-38300	44542-38300	44542-38300	44542-38300	44542-38300	44542-38300	44542-38300	44542-38300	CUSH F/TANK RR 1	1
34	11	09320-10022	09320-10022	09320-10022	09320-10022	09320-10022	09320-10022	09320-10022	09320-10022	09320-10022	CUSH F/TANK RR 2	2
34	12	15100H99D00	15100H99D00	15100H99D00	15100H99D00	15100H99D00	15100H99D00	15100H99D00	15100H99D00	15100H99D00	F/PUMP (GV700C)	1
34	13	34825HP9300	34825HP9300	34825HP9300	34825HP9300	34825HP9300	34825HP9300	34825HP9300	34825HP9300	34825HP9300	PACK'G,F/PUMP MO	1
34	14	15115HP9300	15115HP9300	15115HP9300	15115HP9300	15115HP9300	15115HP9300	15115HP9300	15115HP9300	15115HP9300	PLA,F/PUMP MODUL	1
34	15	09125H04016	09125H04016	09125H04016	09125H04016	09125H04016	09125H04016	09125H04016	09125H04016	09125H04016	SCRW,F/PUMP MODU	10
34	16	15820H99D00	15820H99D00	15820H99D00	15820H99D00	15820H99D00	15820H99D00	15820H99D00	15820H99D00	15820H99D00	HOSE F/INJ(GV700	1
34	17	34810H99D00	34810H99D00	34810H99D00	34810H99D00	34810H99D00	34810H99D00	34810H99D00	34810H99D00	34810H99D00	F/GAUGE (GV700C)	1
34	18	09168-06010	09168-06010	09168-06010	09168-06010	09168-06010	09168-06010	09168-06010	09168-06010	09168-06010	GSKT F/LEV GAUGE	1
34	19	09128-06035	09128-06035	09128-06035	09128-06035	09128-06035	09128-06035	09128-06035	09128-06035	09128-06035	BLT F/COCK	2

35. SEAT

FIG.	REF. NO.	내수	ST-7							PART NAME	Q'TY	
			9EN01	9EU01	9F01	9G01	9S01	9US01	9US02			
35	1	45100H99D00	45100H99D00	45100H99D00	45100H99D00	45100H99D00	45100H99D00	45100H99D00	45100H99D00	45100H99D00	SEAT SET,FT(GV70)	1
35	2	45200H99D00	45200H99DB0	45200H99DB0	45200H99DB0	45200H99DB0	45200H99DB0	45200H99DB0	45200H99DB0	45200H99DB0	SEAT SET,RR(GV70)	1
35	3	45192HG5100	45192HG5100	45192HG5100	45192HG5100	45192HG5100	45192HG5100	45192HG5100	45192HG5100	45192HG5100	CUSHION,RR SEAT	4
35	5	09321H08007	09321H08007	09321H08007	09321H08007	09321H08007	09321H08007	09321H08007	09321H08007	09321H08007	CUSHION (GV250)	2
35	7	08316-26068	08316-26068	08316-26068	08316-26068	08316-26068	08316-26068	08316-26068	08316-26068	08316-26068	NUT	4
35	10	02122-06128	02122-06128	02122-06128	02122-06128	02122-06128	02122-06128	02122-06128	02122-06128	02122-06128	SCRW OL GR SH	2
35	11	45280HG5101	45280HG5101	45280HG5101	45280HG5101	45280HG5101	45280HG5101	45280HG5101	45280HG5101	45280HG5101	CABLE,SEAT LOCK	1
35	12	08332-11056	08332-11056	08332-11056	08332-11056	08332-11056	08332-11056	08332-11056	08332-11056	08332-11056	E/RING SEAT LOCK	1
35	13	01517-06166	01517-06166	01517-06166	01517-06166	01517-06166	01517-06166	01517-06166	01517-06166	01517-06166	BOLT,STEER'G LOC	2

SIDE COVER

FIG.	REF. NO.	내수	ST-7							PART NAME	Q'TY	
			9EN01	9EU01	9F01	9G01	9S01	9US01	9US02			
36	1	47111H99D00CBK	47111H99D00CBK	47111H99D00CBK	47111H99D00CBK	47111H99D00CBK	47111H99D00CBK	47111H99D00CBK	47111H99D00CBK	47111H99D00CBK	COV,SIDE R(GV700	1
36	1-1	47111H99D00CPR	47111H99D00CPR	47111H99D00CPR	47111H99D00CPR	47111H99D00CPR	47111H99D00CPR	47111H99D00CPR	47111H99D00CPR	47111H99D00CPR	COV,SIDE R(GV700	1
36	1-2	47111H99D00CWP	47111H99D00CWP	47111H99D00CWP	47111H99D00CWP	47111H99D00CWP	47111H99D00CWP	47111H99D00CWP	47111H99D00CWP	47111H99D00CWP	COV,SIDE R(GV700	1
36	2	47211H99D00CBK	47211H99D00CBK	47211H99D00CBK	47211H99D00CBK	47211H99D00CBK	47211H99D00CBK	47211H99D00CBK	47211H99D00CBK	47211H99D00CBK	COV,SIDE L(GV700	1
36	2-1	47211H99D00CPR	47211H99D00CPR	47211H99D00CPR	47211H99D00CPR	47211H99D00CPR	47211H99D00CPR	47211H99D00CPR	47211H99D00CPR	47211H99D00CPR	COV,SIDE L(GV700	1
36	2-2	47211H99D00CWP	47211H99D00CWP	47211H99D00CWP	47211H99D00CWP	47211H99D00CWP	47211H99D00CWP	47211H99D00CWP	47211H99D00CWP	47211H99D00CWP	COV,SIDE L(GV700	1
36	3	47511H99D00	47511H99D00	47511H99D00	47511H99D00	47511H99D00	47511H99D00	47511H99D00	47511H99D00	47511H99D00	COV,FRAME HEAD R	1
36	4	47521H99D00	47521H99D00	47521H99D00	47521H99D00	47521H99D00	47521H99D00	47521H99D00	47521H99D00	47521H99D00	COV.FRAME HEAD L	1
36	5	02142-05128	02142-05128	02142-05128	02142-05128	02142-05128	02142-05128	02142-05128	02142-05128	02142-05128	SCREW,BATT COVER	4
36	6	09169-05009	09169-05009	09169-05009	09169-05009	09169-05009	09169-05009	09169-05009	09169-05009	09169-05009	WSHR F/FORK COV	4
36	7	94811HP9501	94811HP9501	94811HP9501	94811HP9501	94811HP9501	94811HP9501	94811HP9550	94811HP9550	94811HP9550	COV,RADIATOR(GV6	1
36	8	09106H06200	09106H06200	09106H06200	09106H06200	09106H06200	09106H06200	09106H06200	09106H06200	09106H06200	BLT,FT FENDER(GV	4
36	9	09160-06006	09160-06006	09160-06006	09160-06006	09160-06006	09160-06006	09160-06006	09160-06006	09160-06006	WSHR	4
36	10	09180-06114	09180-06114	09180-06114	09180-06114	09180-06114	09180-06114	09180-06114	09180-06114	09180-06114	SPAC B/COW FITT	4
36	11	09320-09016	09320-09016	09320-09016	09320-09016	09320-09016	09320-09016	09320-09016	09320-09016	09320-09016	CUSH TOOL HLDR	4
36	12	94812HP9502	94812HP9502	94812HP9502	94812HP9502	94812HP9502	94812HP9502	94812HP9502	94812HP9502	94812HP9502	GRILL,RADIAT COV	1
36	13	94813HP9502	94813HP9502	94813HP9502	94813HP9502	94813HP9502	94813HP9502	94813HP9502	94813HP9502	94813HP9502	GRILL,RADIAT COV	1
36	14	03241-04128	03241-04128	03241-04128	03241-04128	03241-04128	03241-04128	03241-04128	03241-04128	03241-04128	SCRW FM COV RR L	13

T TAIL COVER

FIG.	REF. NO.	ST-7									PART NAME	Q'TY
		내수	9EN01	9EU01	9F01	9G01	9S01	9US01	9US02			
37	1	45511H99D00DBK	45511H99D00DBK	45511H99D00DBK	45511H99D00DBK	45511H99D00DBK	45511H99D00DBK	45511H99D00DBK	45511H99D00DBK	45511H99D00DBK	COVER,SEAT TAIL	1
37	1-1	45511H99D00DPR	45511H99D00DPR	45511H99D00DPR	45511H99D00DPR	45511H99D00DPR	45511H99D00DPR	45511H99D00DPR	45511H99D00DPR	45511H99D00DPR	COVER,SEAT TAIL	1
37	1-2	45511H99D00DWP	45511H99D00DWP	45511H99D00DWP	45511H99D00DWP	45511H99D00DWP	45511H99D00DWP	45511H99D00DWP	45511H99D00DWP	45511H99D00DWP	COVER,SEAT TAIL	1
	1-3								35970HM8170	35970HM8170	REFLEX REFLECTOR,SIDE RR	2
37	2	45178H99D00	45178H99D00	45178H99D00	45178H99D00	45178H99D00	45178H99D00	45178H99D00	45178H99D00	45178H99D00	BKT,T/COV&SEAT	1
37	3	02142-06168	02142-06168	02142-06168	02142-06168	02142-06168	02142-06168	02142-06168	02142-06168	02142-06168	SCRW RR FEN	2
37	4	41589HG5900	41589HG5900	41589HG5900	41589HG5900	41589HG5900	41589HG5900	41589HG5900	41589HG5900	41589HG5900	PROT,BATT COV(SD	2
37	5	44218HF4500	44218HF4500	44218HF4500	44218HF4500	44218HF4500	44218HF4500	44218HF4500	44218HF4500	44218HF4500	CUSH BATTERY RR	2
37	6	41589HR9700	41589HR9700	41589HR9700	41589HR9700	41589HR9700	41589HR9700	41589HR9700	41589HR9700	41589HR9700	CUSH,RR FEN BATT	1
37	7	09169H06011	09169H06011	09169H06011	09169H06011	09169H06011	09169H06011	09169H06011	09169H06011	09169H06011	WSHR	2
37	8	45520H99D00	45520H99D00	45520H99D00	45520H99D00	45520H99D00	45520H99D00	45520H99D00	45520H99D00	45520H99D00	BRACE,SEAT TAIL	1
37	9	08319-31108	08319-31108	08319-31108	08319-31108	08319-31108	08319-31108	08319-31108	08319-31108	08319-31108	NUT FT SORBR	2
37	10	09103-10055	09103-10055	09103-10055	09103-10055	09103-10055	09103-10055	09103-10055	09103-10055	09103-10055	BLT H/BAR CLMP	2
37	11	62311HP9502	62311HP9502	62311HP9502	62311HP9502	62311HP9502	62311HP9502	62311HP9502	62311HP9502	62311HP9502	BLT,RR SORBR UPP	2
37	12	02142-06165	02142-06165	02142-06165	02142-06165	02142-06165	02142-06165	02142-06165	02142-06165	02142-06165	SCRW SHLD LOW(GF	2
37	13	09106H06150	09106H06150	09106H06150	09106H06150	09106H06150	09106H06150	09106H06150	09106H06150	09106H06150	WRENCH BOLT 6*15	2
37	14	63511HP9505CR	63511HP9505CR	63511HP9505CR	63511HP9505CR	63511HP9505CR	63511HP9505CR	63511HP9505CR	63511HP9505CR	63511HP9505CR	PILLION,RIDER RH	1
37	15	01517-08358	01517-08358	01517-08358	01517-08358	01517-08358	01517-08358	01517-08358	01517-08358	01517-08358	BOLT,PILL RID RR	2
37	16	08321-21086	08321-21086	08321-21086	08321-21086	08321-21086	08321-21086	08321-21086	08321-21086	08321-21086	WASHER (HG)	2
37	17	09320-11008	09320-11008	09320-11008	09320-11008	09320-11008	09320-11008	09320-11008	09320-11008	09320-11008	CUSH L/SHLD	2
37	18	09180H08129	09180H08129	09180H08129	09180H08129	09180H08129	09180H08129	09180H08129	09180H08129	09180H08129	SPC,S/COV&CARRIE	2
37	19	63521HP9505CR	63521HP9505CR	63521HP9505CR	63521HP9505CR	63521HP9505CR	63521HP9505CR	63521HP9505CR	63521HP9505CR	63521HP9505CR	PILLION,RIDER LH	1
37	20	01517-08358	01517-08358	01517-08358	01517-08358	01517-08358	01517-08358	01517-08358	01517-08358	01517-08358	BOLT,PILL RID RR	2
37	21	08321-21086	08321-21086	08321-21086	08321-21086	08321-21086	08321-21086	08321-21086	08321-21086	08321-21086	WASHER (HG)	2
37	22	09320-11008	09320-11008	09320-11008	09320-11008	09320-11008	09320-11008	09320-11008	09320-11008	09320-11008	CUSH L/SHLD	2
37	23	09180H08129	09180H08129	09180H08129	09180H08129	09180H08129	09180H08129	09180H08129	09180H08129	09180H08129	SPC,S/COV&CARRIE	2
37	24	45133H99D00	45133H99D00	45133H99D00	45133H99D00	45133H99D00	45133H99D00	45133H99D00	45133H99D00	45133H99D00	BRKT,FT SEAT HOO	1
37	25	02142-06166	02142-06166	02142-06166	02142-06166	02142-06166	02142-06166	02142-06166	02142-06166	02142-06166	SCREW,BATTERY HO	2

FIG 38. FRONT FORK

FIG.	REF. NO.	ST-7									PART NAME	Q'TY
		내수	9EN01	9EU01	9F01	9G01	9S01	9US01	9US02			
38	1	51210H99D00	51210H99D00	51210H99D00	51210H99D00	51210H99D00	51210H99D00	51210H99D00	51210H99D00	51210H99D00	DAMPER,FT FORK R	1
38	2	51220H99D00	51220H99D00	51220H99D00	51220H99D00	51220H99D00	51220H99D00	51220H99D00	51220H99D00	51220H99D00	DAMPER,FT FORK L	1
38	4	09128-06004	09128-06004	09128-06004	09128-06004	09128-06004	09128-06004	09128-06004	09128-06004	09128-06004	BOLT	4
38	5	09265H28001	09265H28001	09265H28001	09265H28001	09265H28001	09265H28001	09265H28001	09265H28001	09265H28001	BG,STEER LOW(RX)	1
38	6	09265H25001	09265H25001	09265H25001	09265H25001	09265H25001	09265H25001	09265H25001	09265H25001	09265H25001	BG,STEERG UPP(RG)	1
38	7	51631-28000	51631-28000	51631-28000	51631-28000	51631-28000	51631-28000	51631-28000	51631-28000	51631-28000	NUT STEER	1
38	8	09159H22002	09159H22002	09159H22002	09159H22002	09159H22002	09159H22002	09159H22002	09159H22002	09159H22002	NUT,STEER UPP(GV)	1
38	9	09160H22032	09160H22032	09160H22032	09160H22032	09160H22032	09160H22032	09160H22032	09160H22032	09160H22032	WASH,STEER UPPER	1
38	10	51643HG5801	51643HG5801	51643HG5801	51643HG5801	51643HG5801	51643HG5801	51643HG5801	51643HG5801	51643HG5801	DUST SEAL,ST UPP	1
38	11	09106H08458	09106H08458	09106H08458	09106H08458	09106H08458	09106H08458	09106H08458	09106H08458	09106H08458	BOLT H/D HOLD UP	1
38	12	51881H99D00CR	51881H99D00CR	51881H99D00CR	51881H99D00CR	51881H99D00CR	51881H99D00CR	51881H99D00CR	51881H99D00CR	51881H99D00CR	COV, FT FORK UPP	2
38	13	51885H99D00	51885H99D00	51885H99D00	51885H99D00	51885H99D00	51885H99D00	51885H99D00	51885H99D00	51885H99D00	CUSHION,FORK NO1	2
38	14	51886H99D00	51886H99D00	51886H99D00	51886H99D00	51886H99D00	51886H99D00	51886H99D00	51886H99D00	51886H99D00	CUSHION,FORK NO2	2
38	15	51883H99D00PLA	51883H99D00PLA	51883H99D00PLA	51883H99D00PLA	51883H99D00PLA	51883H99D00PLA	51883H99D00PLA	51883H99D00PLA	51883H99D00PLA	COV,FT FORK LOW	2
38	16	09403-19404	09403-19404	09403-19404	09403-19404	09403-19404	09403-19404	09403-19404	09403-19404	09403-19404	CLMP THRO CABL I	1
38	17	02112-36105	02112-36105	02112-36105	02112-36105	02112-36105	02112-36105	02112-36105	02112-36105	02112-36105	SCREW	1

FIG 39. STEERING HEAD

FIG.	REF. NO.	ST-7								PART NAME	Q'TY	
		내수	9EN01	9EU01	9F01	9G01	9S01	9US01	9US02			
39	1	51311H99D00CR	51311H99D00CR	51311H99D00CR	51311H99D00CR	51311H99D00CR	51311H99D00CR	51311H99D00CR	51311H99D00CR	51311H99D00CR	BRKT,UPPER(GV700	1
39	2	51410H99D00PAM	51410H99D00PAM	51410H99D00PAM	51410H99D00PAM	51410H99D00PAM	51410H99D00PAM	51410H99D00PAM	51410H99D00PAM	51410H99D00PAM	BRKT COMP, UNDER	1
39	3	51631HN9100	51631HN9100	51631HN9100	51631HN9100	51631HN9100	51631HN9100	51631HN9100	51631HN9100	51631HN9100	NUT,STEER STEM U	1
39	4	09166H25001	09166H25001	09166H25001	09166H25001	09166H25001	09166H25001	09166H25001	09166H25001	09166H25001	WASH,STEER STEM	1
39	5	07110-08258	07110-08258	07110-08258	07110-08258	07110-08258	07110-08258	07110-08258	07110-08258	07110-08258	BOLT,FRAME JOINT	4
39	6	51710HP9501	51710HP9501	51710HP9501	51710HP9501	51710HP9501	51710HP9501	51710HP9501	51710HP9501	51710HP9501	COV,T/SIG TUBE	1
39	7	51720HP9500PLA	51720HP9500PLA	51720HP9500PLA	51720HP9500PLA	51720HP9500PLA	51720HP9500PLA	51720HP9500PLA	51720HP9500PLA	51720HP9500PLA	TUBE,TURN SIG(GV	1
39	8	02142-06166	02142-06166	02142-06166	02142-06166	02142-06166	02142-06166	02142-06166	02142-06166	02142-06166	SCREW,BATTERY HO	2
39	9	02142-05128	02142-05128	02142-05128	02142-05128	02142-05128	02142-05128	02142-05128	02142-05128	02142-05128	SCREW	2
39	10	09169-06032	09169-06032	09169-06032	09169-06032	09169-06032	09169-06032	09169-06032	09169-06032	09169-06032	WASH RR FEND(GD	2
39	12	02122-06128	02122-06128	02122-06128	02122-06128	02122-06128	02122-06128	02122-06128	02122-06128	02122-06128	SCRW OL GR SH	2
39	13	51312H99D00PLA	51312H99D00PLA	51312H99D00PLA	51312H99D00PLA	51312H99D00PLA	51312H99D00PLA	51312H99D00PLA	51312H99D00PLA	51312H99D00PLA	GUIDE,UP BRKT R	1
39	14	51312H99D00PLA	51312H99D00PLA	51312H99D00PLA	51312H99D00PLA	51312H99D00PLA	51312H99D00PLA	51312H99D00PLA	51312H99D00PLA	51312H99D00PLA	GUIDE,UP BRKT R	1
39	15	02142-06128	02142-06128	02142-06128	02142-06128	02142-06128	02142-06128	02142-06128	02142-06128	02142-06128	SCRW BATT HLDR	2

FIG 40. FRONT FENDER

FIG.	REF. NO.	내수	ST-7							PART NAME	Q'TY	
			9EN01	9EU01	9F01	9G01	9S01	9US01	9US02			
40	1	53111H99D00DBK	53111H99D00DBK	53111H99D00DBK	53111H99D00DBK	53111H99D00DBK	53111H99D00DBK	53111H99D00DBK	53111H99D00DBK	53111H99D00DBK	FENDER,FRONT	1
40	1-1	53111H99D00DPR	53111H99D00DPR	53111H99D00DPR	53111H99D00DPR	53111H99D00DPR	53111H99D00DPR	53111H99D00DPR	53111H99D00DPR	53111H99D00DPR	FENDER,FRONT	1
40	1-2	53111H99D00DWP	53111H99D00DWP	53111H99D00DWP	53111H99D00DWP	53111H99D00DWP	53111H99D00DWP	53111H99D00DWP	53111H99D00DWP	53111H99D00DWP	FENDER,FRONT	1
40	2	53210H99D00	53210H99D00	53210H99D00	53210H99D00	53210H99D00	53210H99D00	53210H99D00	53210H99D00	53210H99D00	BRACE,FT FENDER	1
40	4	07110-08408	07110-08408	07110-08408	07110-08408	07110-08408	07110-08408	07110-08408	07110-08408	07110-08408	BOLT,REAR PULLEY	4
40	5	09169-08034	09169-08034	09169-08034	09169-08034	09169-08034	09169-08034	09169-08034	09169-08034	09169-08034	WSHR FR FEN	4
40	6	51821H99D00CBK	51821H99D00CBK	51821H99D00CBK	51821H99D00CBK	51821H99D00CBK	51821H99D00CBK	51821H99D00CBK	51821H99D00CBK	51821H99D00CBK	HOUSING,H/LAMP	1
40	6-1	51821H99D00CPR	51821H99D00CPR	51821H99D00CPR	51821H99D00CPR	51821H99D00CPR	51821H99D00CPR	51821H99D00CPR	51821H99D00CPR	51821H99D00CPR	HOUSING,H/LAMP	1
40	6-2	51821H99D00CWP	51821H99D00CWP	51821H99D00CWP	51821H99D00CWP	51821H99D00CWP	51821H99D00CWP	51821H99D00CWP	51821H99D00CWP	51821H99D00CWP	HOUSING,H/LAMP	1
40	7	09169-05008	09169-05008	09169-05008	09169-05008	09169-05008	09169-05008	09169-05008	09169-05008	09169-05008	WASHER,HANDLE COVER NO1	2
40	8	02112-35168	02112-35168	02112-35168	02112-35168	02112-35168	02112-35168	02112-35168	02112-35168	02112-35168	SCREW	2
40	9	08322-21068	08322-21068	08322-21068	08322-21068	08322-21068	08322-21068	08322-21068	08322-21068	08322-21068	WSHR H/LAMP	4
40	10	08316-26066	08316-26066	08316-26066	08316-26066	08316-26066	08316-26066	08316-26066	08316-26066	08316-26066	NUT,REAR COMBI L	2
40	11	09148-04024	09148-04024	09148-04024	09148-04024	09148-04024	09148-04024	09148-04024	09148-04024	09148-04024	NUT SPRNG	1
40	12	09404-06405	09404-06405	09404-06405	09404-06405	09404-06405	09404-06405	09404-06405	09404-06405	09404-06405	CLMP W/HAR	1
40	13	03241-05106	03241-05106	03241-05106	03241-05106	03241-05106	03241-05106	03241-05106	03241-05106	03241-05106	SCREW,H/LAMP HOU	1

FIG 41. WHEEL, FRONT

FIG.	REF. NO.	ST-7									PART NAME	Q'TY
		내수	9EN01	9EU01	9F01	9G01	9S01	9US01	9US02			
41	1	54140H99D00HPA	54140H99D00HPA	54140H99D00HPA	54140H99D00HPA	54140H99D00HPA	54140H99D00HPA	54140H99D00HPA	54140H99D00HPA	54140H99D00HPA	WHEEL,FT(BEARING+SPACER)	1
41	1-1	54140S99D00HPA	54140S99D00HPA	54140S99D00HPA	54140S99D00HPA	54140S99D00HPA	54140S99D00HPA	54140S99D00HPA	54140S99D00HPA	54140S99D00HPA	WHEEL,FT + TIRE ASS'Y	1
41	2	55100H99D00	55100H99D00	55100H99D00	55100H99D00	55100H99D00	55100H99D00	55100H99D00	55100H99D00	55100H99D00	TIRE,FT (GV700C)	1
41	3	59220HP9502	59220HP9502	59220HP9502	59220HP9502	59220HP9502	59220HP9502	59220HP9502	59220HP9502	59220HP9502	DISC,FT BRAKE L	1
41	4	09106H08230	09106H08230	09106H08230	09106H08230	09106H08230	09106H08230	09106H08230	09106H08230	09106H08230	BOLT,FRONT FOOTREST BRACKET(GT)	6
41	5	54711H99D00	54711H99D00	54711H99D00	54711H99D00	54711H99D00	54711H99D00	54711H99D00	54711H99D00	54711H99D00	AXLE, FT (GV700C)	1
41	6	54740HM8101	54740HM8101	54740HM8101	54740HM8101	54740HM8101	54740HM8101	54740HM8101	54740HM8101	54740HM8101	SPACER,FT AXLE R	1
41	7	34860HP9201	34860HP9201	34860HP9201	34860HP9201	34860HP9201	34860HP9201	34860HP9201	34860HP9201	34860HP9201	SENSOR,SP/METER	1
41	8	54890HM8100	54890HM8100	54890HM8100	54890HM8100	54890HM8100	54890HM8100	54890HM8100	54890HM8100	54890HM8100	COVER,FRONT WHEEL	1
41	9	08124-63027	08124-63027	08124-63027	08124-63027	08124-63027	08124-63027	08124-63027	08124-63027	08124-63027	BG FT HUB R/L(GV)	2
41	10	54731H99D00	54731H99D00	54731H99D00	54731H99D00	54731H99D00	54731H99D00	54731H99D00	54731H99D00	54731H99D00	SPACER,FRONT HUB	1
41	11	55220-29C20	55220-29C20	55220-29C20	55220-29C20	55220-29C20	55220-29C20	55220-29C20	55220-29C20	55220-29C20	VALVE ASSY (GT)	1

FIG 42. HANDLE BAR

FIG.	REF. NO.	ST-7									PART NAME	Q'TY
		내수	9EN01	9EU01	9F01	9G01	9S01	9US01	9US02			
42	1	56110H99D00PLA	56110H99D00PLA	56110H99D00PLA	56110H99D00PLA	56110H99D00PLA	56110H99D00PLA	56110H99D00PLA	56110H99D00PLA	56110H99D00PLA	HANDLE BAR(GV700	1
42	2	58200H99D00	58200H99D00	58200H99D00	58200H99D00	58200H99D00	58200H99D00	58200H99D00	58200H99D00	58200H99D00	CABLE ASS'Y,CLUT	1
42	3	58300H99D00	58300H99D00	58300H99D00	58300H99D00	58300H99D00	58300H99D00	58300H99D00	58300H99D00	58300H99D00	CABLE,THROTTLE	1
42	4	08319-31108	08319-31108	08319-31108	08319-31108	08319-31108	08319-31108	08319-31108	08319-31108	08319-31108	NUT FT SORBR	2
42	5	56500HP9501	56500HP9501	56500HP9501	56500HP9501	56500HP9501	56500HP9501	56500HP9501	56500HP9560	56500HP9560	MIRROR,RR VIEW R	1
42	6	56600HP9501	56600HP9501	56600HP9501	56600HP9501	56600HP9501	56600HP9501	56600HP9501	56600HP9560	56600HP9560	MIRROR,RR VIEW L	1
42	6-1	56501HP9500	56501HP9500	56501HP9500	56501HP9500	56501HP9500	56501HP9500	56501HP9500	56501HP9560	56501HP9560	MIRROR SET(GV650	1
42	7	09200-06004	09200-06004	09200-06004	09200-06004	09200-06004	09200-06004	09200-06004	09200-06004	09200-06004	PIN CLTCH	1
42	8	04111-20158	04111-20158	04111-20158	04111-20158	04111-20158	04111-20158	04111-20158	04111-20158	04111-20158	COTT PIN	1
42	9	58600H99D00	58600H99D00	58600H99D00	58600H99D00	58600H99D00	58600H99D00	58600H99D00	58600H99D00	58600H99D00	CABLE,THROTT RET	1
42	10	09408-00002	09408-00002	09408-00002	09408-00002	09408-00002	09408-00002	09408-00002	09408-00002	09408-00002	CLIP CABL	2
42	11	56221H99D00	56221H99D00	56221H99D00	56221H99D00	56221H99D00	56221H99D00	56221H99D00	56221H99D00	56221H99D00	HOLDER,HANDLE LO	2
42	12	56211H99D00CR	56211H99D00CR	56211H99D00CR	56211H99D00CR	56211H99D00CR	56211H99D00CR	56211H99D00CR	56211H99D00CR	56211H99D00CR	HOLDER,HANDLE UP	2
42	13	07110-08256	07110-08256	07110-08256	07110-08256	07110-08256	07110-08256	07110-08256	07110-08256	07110-08256	BOLT,FRONT FENDER	4
42	14	56222HG5100	56222HG5100	56222HG5100	56222HG5100	56222HG5100	56222HG5100	56222HG5100	56222HG5100	56222HG5100	CAP,HD HOLD UP B	4
42	15	08322-21108	08322-21108	08322-21108	08322-21108	08322-21108	08322-21108	08322-21108	08322-21108	08322-21108	WSHR	2

FIG 43. HANDLE SWITCH

FIG.	REF. NO.	내수	ST-7								PART NAME	Q'TY	
			9EN01	9EU01	9F01	9G01	9S01	9US01	9US02				
43	1	37200H99D01	37200H99D01	37200H99D01	37200H99D01	37200H99D01	37200H99D01	37200H99D01	37200H99D01	37200H99D01	37200H99D01	SWITCH HANDLE R	1
43	2	57110HG5102	57110HG5102	57110HG5102	57110HG5102	57110HG5102	57110HG5102	57110HG5102	57110HG5102	57110HG5102	57110HG5102	GRIP,THROTTLE(GV)	1
43	3	56271HP9500PLA	56271HP9500PLA	56271HP9500PLA	56271HP9500PLA	56271HP9500PLA	56271HP9500PLA	56271HP9500PLA	56271HP9500PLA	56271HP9500PLA	56271HP9500PLA	BALANC,H/BAR(GV6)	2
43	4	57300HN9102	57300HN9102	57300HN9102	57300HN9102	57300HN9102	57300HN9102	57300HN9102	57300HN9102	57300HN9102	57300HN9102	LEVER,FT BRAKE	1
43	5	07110-08208	07110-08208	07110-08208	07110-08208	07110-08208	07110-08208	07110-08208	07110-08208	07110-08208	07110-08208	BOLT E/G FRONT	2
43	6	37400H99D00	37400H99D00	37400H99D00	37400H99D00	37400H99D00	37400H99D00	37400H99D00	37400H99D00	37400H99D00	37400H99D00	SWITCH HANDLE L	1
43	7	57210HG5100	57210HG5100	57210HG5100	57210HG5100	57210HG5100	57210HG5100	57210HG5100	57210HG5100	57210HG5100	57210HG5100	GRIP COMP,L (GV)	1
43	8	57661HN9100	57661HN9100	57661HN9100	57661HN9100	57661HN9100	57661HN9100	57661HN9100	57661HN9100	57661HN9100	57661HN9100	COV,RR BK LEVER	1
43	9	57460HP9500	57460HP9500	57460HP9500	57460HP9500	57460HP9500	57460HP9500	57460HP9500	57460HP9500	57460HP9500	57460HP9500	SW ASS'Y,CLUTCH	1
43	10	57431HN9101	57431HN9101	57431HN9101	57431HN9101	57431HN9101	57431HN9101	57431HN9101	57431HN9101	57431HN9101	57431HN9101	BLT,BK LEVER PIV	1
43	11	08319-21068	08319-21068	08319-21068	08319-21068	08319-21068	08319-21068	08319-21068	08319-21068	08319-21068	08319-21068	NUT BK LEV	1
43	12	57460-17C00	57460-17C00	57460-17C00	57460-17C00	57460-17C00	57460-17C00	57460-17C00	57460-17C00	57460-17C00	57460-17C00	SW STOP (AG,SB)	1
43	13	02112-74108	02112-74108	02112-74108	02112-74108	02112-74108	02112-74108	02112-74108	02112-74108	02112-74108	02112-74108	SCREW	1
43	14	57620HN9101	57620HN9101	57620HN9101	57620HN9101	57620HN9101	57620HN9101	57620HN9101	57620HN9101	57620HN9101	57620HN9101	LEVER,CLUTCH(GT)	1
43	15	57511HP9501	57511HP9501	57511HP9501	57511HP9501	57511HP9501	57511HP9501	57511HP9501	57511HP9501	57511HP9501	57511HP9501	HOLDER,LEVER(GV)	1
43	16	57531HN9100	57531HN9100	57531HN9100	57531HN9100	57531HN9100	57531HN9100	57531HN9100	57531HN9100	57531HN9100	57531HN9100	BLT,CLUTCH LEVER	1
43	17	08319-21068	08319-21068	08319-21068	08319-21068	08319-21068	08319-21068	08319-21068	08319-21068	08319-21068	08319-21068	NUT BK LEV	1
43	18	57451H93B00	57451H93B00	57451H93B00	57451H93B00	57451H93B00	57451H93B00	57451H93B00	57451H93B00	57451H93B00	57451H93B00	CROWN BOLT (GA)	1
43	19	57442H93B00	57442H93B00	57442H93B00	57442H93B00	57442H93B00	57442H93B00	57442H93B00	57442H93B00	57442H93B00	57442H93B00	LOCK NUT	1
43	20	57441H93B00	57441H93B00	57441H93B00	57441H93B00	57441H93B00	57441H93B00	57441H93B00	57441H93B00	57441H93B00	57441H93B00	WIRE ADJUST (GA)	1

FIG 44. CALIPER SET, L

FIG.	REF. NO.	ST-7								PART NAME	Q'TY	
		내수	9EN01	9EU01	9F01	9G01	9S01	9US01	9US02			
44	1	59300H99700HPA	59300H99700HPA	59300H99700HPA	59300H99700HPA	59300H99700HPA	59300H99700HPA	59300H99700HPA	59300H99700HPA	59300H99700HPA	FT CALIP+PAD SET	1
44	2	07120-08358	07120-08358	07120-08358	07120-08358	07120-08358	07120-08358	07120-08358	07120-08358	07120-08358	BLT,CALIPER(GV65	2
44	3	59330H99700	59330H99700	59330H99700	59330H99700	59330H99700	59330H99700	59330H99700	59330H99700	59330H99700	PAD,FT CALIPER R	2
44	3-1	59301H99700	59301H99700	59301H99700	59301H99700	59301H99700	59301H99700	59301H99700	59301H99700	59301H99700	PAD SET (GT650N)	1

FIG 45. MASTER CYLINDER ASS'Y

FIG.	REF. NO.	ST-7									PART NAME	Q'TY
		내수	9EN01	9EU01	9F01	9G01	9S01	9US01	9US02			
45	0	59600H99D00	59600H99D00	59600H99D00	59600H99D00	59600H99D00	59600H99D00	59600H99D00	59600H99D00	59600H99D00	CYL ASSY,FT MAST	1
45	2	59669-36510	59669-36510	59669-36510	59669-36510	59669-36510	59669-36510	59669-36510	59669-36510	59669-36510	CAP,RESERVIOR(GD)	1
45	3	59600-35C00	59600-35C00	59600-35C00	59600-35C00	59600-35C00	59600-35C00	59600-35C00	59600-35C00	59600-35C00	CYLIND F/T MASTE	1
45	4	59691-35C00	59691-35C00	59691-35C00	59691-35C00	59691-35C00	59691-35C00	59691-35C00	59691-35C00	59691-35C00	SCREW (GD)	2
45	5	59671-35C00	59671-35C00	59671-35C00	59671-35C00	59671-35C00	59671-35C00	59671-35C00	59671-35C00	59671-35C00	HOLDER (GD)	1
45	6	08322-21064	08322-21064	08322-21064	08322-21064	08322-21064	08322-21064	08322-21064	08322-21064	08322-21064	WASHER (GD)	2
45	7	01107-35C00	01107-35C00	01107-35C00	01107-35C00	01107-35C00	01107-35C00	01107-35C00	01107-35C00	01107-35C00	BOLT (GD)	2

FIG 46. FRONT BRAKE HOSE

FIG.	REF. NO.	ST-7								PART NAME	Q'TY	
		내수	9EN01	9EU01	9F01	9G01	9S01	9US01	9US02			
46	1	59711H49002	59711H49002	59711H49002	59711H49002	59711H49002	59711H49002	59711H49002	59711H49002	59711H49002	BOOT MASTER CYL	1
46	2	59480H99D00	59480H99D00	59480H99D00	59480H99D00	59480H99D00	59480H99D00	59480H99D00	59480H99D00	59480H99D00	HOSE, FT BRAKE	1
46	3	09161-10005	09161-10005	09161-10005	09161-10005	09161-10005	09161-10005	09161-10005	09161-10005	09161-10005	WSHR	8
46	4	69450HP9502	69450HP9502	69450HP9502	69450HP9502	69450HP9502	69450HP9502	69450HP9502	69450HP9502	69450HP9502	HOSE,RR BK CALIP	1
46	5	69460HP9501	69460HP9501	69460HP9501	69460HP9501	69460HP9501	69460HP9501	69460HP9501	69460HP9501	69460HP9501	PIPE,RR BK CENTE	1
46	6	59470HP9501	59470HP9501	59470HP9501	59470HP9501	59470HP9501	59470HP9501	59470HP9501	59470HP9501	59470HP9501	HOSE,FT BK L(GV6	1
46	7	09360-10039	09360-10039	09360-10039	09360-10039	09360-10039	09360-10039	09360-10039	09360-10039	09360-10039	BLT BK FLUID(AG)	4

FIG 47. SWINGING ARM

FIG.	REF. NO.	ST-7									PART NAME	Q'TY
		내수	9EN01	9EU01	9F01	9G01	9S01	9US01	9US02			
47	1	61100HP9503120	61100HP9503120	61100HP9503120	61100HP9503120	61100HP9503120	61100HP9503120	61100HP9503120	61100HP9503120	61100HP9503120	SWINGARM,REAR(GV)	1
47	2	09103H08608	09103H08608	09103H08608	09103H08608	09103H08608	09103H08608	09103H08608	09103H08608	09103H08608	BOLT,CHAIN ADJUS	2
47	3	08316-16088	08316-16088	08316-16088	08316-16088	08316-16088	08316-16088	08316-16088	08316-16088	08316-16088	NUT C/HEAD	2
47	5	09106H06150	09106H06150	09106H06150	09106H06150	09106H06150	09106H06150	09106H06150	09106H06150	09106H06150	WRENCH BOLT 6*15	6
47	6	61250HP9502	61250HP9502	61250HP9502	61250HP9502	61250HP9502	61250HP9502	61250HP9502	61250HP9502	61250HP9502	COV,RR SWINGARM	1
47	7	61260HP9504	61260HP9504	61260HP9504	61260HP9504	61260HP9504	61260HP9504	61260HP9504	61260HP9504	61260HP9504	CAP,RR SWING COV	1
47	8	61313HP9503	61313HP9503	61313HP9503	61313HP9503	61313HP9503	61313HP9503	61313HP9503	61313HP9503	61313HP9503	PLT,BELT CASE FT	2
47	9	02142-06125	02142-06125	02142-06125	02142-06125	02142-06125	02142-06125	02142-06125	02142-06125	02142-06125	SCRW COV L/SHLD	3
47	10	27600HP9500	27600HP9500	27600HP9500	27600HP9500	27600HP9500	27600HP9500	27600HP9500	27600HP9500	27600HP9500	BELT, DRV 108L	1
47	11	61310H99D00CR	61310H99D00CR	61310H99D00CR	61310H99D00CR	61310H99D00CR	61310H99D00CR	61310H99D00CR	61310H99D00CR	61310H99D00CR	CASE,BELT UPPER	1
47	12	61320HP9503	61320HP9503	61320HP9503	61320HP9503	61320HP9503	61320HP9503	61320HP9503	61320HP9503	61320HP9503	CASE,BELT LOWER	1
47	13	61316HP9502	61316HP9502	61316HP9502	61316HP9502	61316HP9502	61316HP9502	61316HP9502	61316HP9502	61316HP9502	PLT,BELT CASE RR	2
47	14	61511HN9100	61511HN9100	61511HN9100	61511HN9100	61511HN9100	61511HN9100	61511HN9100	61511HN9100	61511HN9100	PLT,CH/ADJUST L	1
47	15	61411HN9100	61411HN9100	61411HN9100	61411HN9100	61411HN9100	61411HN9100	61411HN9100	61411HN9100	61411HN9100	PLT,CH/ADJUST R	1

FIG 48. REAR SHOCK ABSORBER ASS'Y

FIG.	REF. NO.	ST-7								PART NAME	Q'TY
		내수	9EN01	9EU01	9F01	9G01	9S01	9US01	9US02		
48	1	62100H99D00	62100H99D00	62100H99D00	62100H99D00	62100H99D00	62100H99D00	62100H99D00	62100H99D00	S/ABS RR (GV700C)	2
48	2	08313-11107	08313-11107	08313-11107	08313-11107	08313-11107	08313-11107	08313-11107	08313-11107	NUT SORBR LOW	2
48	3	09160-10001	09160-10001	09160-10001	09160-10001	09160-10001	09160-10001	09160-10001	09160-10001	WSHR SORBR	2
48	4	08316-26128	08316-26128	08316-26128	08316-26128	08316-26128	08316-26128	08316-26128	08316-26128	NUT MAG FLY	2
48	5	62311-05350	62311-05350	62311-05350	62311-05350	62311-05350	62311-05350	62311-05350	62311-05350	BLT RR SORBR LOW	2

FIG 49. TAIL REAR COVER

FIG.	REF. NO.	ST-7								PART NAME	Q'TY	
		내수	9EN01	9EU01	9F01	9G01	9S01	9US01	9US02			
49	1	45541HJ8202	45541HJ8202	45541HJ8202	45541HJ8202	45541HJ8202	45541HJ8202	45541HJ8202	45541HJ8202	45541HJ8202	COV,TAIL RR(GV70	1
49	2	45530HJ8202PLA	45530HJ8202PLA	45530HJ8202PLA	45530HJ8202PLA	45530HJ8202PLA	45530HJ8202PLA	45530HJ8202PLA	45530HJ8202PLA	45530HJ8202PLA	BKT TAIL RR COV	1
49	3	35927H44430	35927H44430	35927H44430	35927H44430	35927H44430	35927H44430	35927H44430	35927H44430	35927H44430	BKT,LICENSE (GPS	1
49	4	01107-06166	01107-06166	01107-06166	01107-06166	01107-06166	01107-06166	01107-06166	01107-06166	01107-06166	BLT,TAIL RR COV	2
49	5	02142-06126	02142-06126	02142-06126	02142-06126	02142-06126	02142-06126	02142-06126	02142-06126	02142-06126	SCREW UPP CABLE	2
49	6	02142-05125	02142-05125	02142-05125	02142-05125	02142-05125	02142-05125	02142-05125	02142-05125	02142-05125	SCRW HD COV FTRR	2
49	7	08316-16066	08316-16066	08316-16066	08316-16066	08316-16066	08316-16066	08316-16066	08316-16066	08316-16066	NUT,RR COMBI	2
49	8	09148-06020	09148-06020	09148-06020	09148-06020	09148-06020	09148-06020	09148-06020	09148-06020	09148-06020	NUT	1
49	9	09321-06023	09321-06023	09321-06023	09321-06023	09321-06023	09321-06023	09321-06023	09321-06023	09321-06023	CUSH LICENCE PLT	1

FIG 50. WHEEL, REAR

FIG.	REF. NO.	내수	ST-7								PART NAME	Q'TY	
			9EN01	9EU01	9F01	9G01	9S01	9US01	9US02				
50	1	64150S99D00HPA	64150S99D00HPA	64150S99D00HPA	64150S99D00HPA	64150S99D00HPA	64150S99D00HPA	64150S99D00HPA	64150S99D00HPA	64150S99D00HPA	64150S99D00HPA	WHEEL,RR + TIRE ASS'Y	1
50	1-1	64150H99D00HPA	64150H99D00HPA	64150H99D00HPA	64150H99D00HPA	64150H99D00HPA	64150H99D00HPA	64150H99D00HPA	64150H99D00HPA	64150H99D00HPA	64150H99D00HPA	WHEEL,RR(BEARING+SPACER)	1
50	2	65100H99D00	65100H99D00	65100H99D00	65100H99D00	65100H99D00	65100H99D00	65100H99D00	65100H99D00	65100H99D00	65100H99D00	TIRE,RR (GV700C)	1
50	3	55220-29C20	55220-29C20	55220-29C20	55220-29C20	55220-29C20	55220-29C20	55220-29C20	55220-29C20	55220-29C20	55220-29C20	VALVE ASSY (GT)	1
50	4	64711HP9500	64711HP9500	64711HP9500	64711HP9500	64711HP9500	64711HP9500	64711HP9500	64711HP9500	64711HP9500	64711HP9500	AXLE,REAR(GV650)	1
50	5	09159H16002	09159H16002	09159H16002	09159H16002	09159H16002	09159H16002	09159H16002	09159H16002	09159H16002	09159H16002	NUT,RR AXLE(GT25)	1
50	6	64752HP9500	64752HP9500	64752HP9500	64752HP9500	64752HP9500	64752HP9500	64752HP9500	64752HP9500	64752HP9500	64752HP9500	SPC,RR AXLE R(GV)	1
50	7	64751HP9501	64751HP9501	64751HP9501	64751HP9501	64751HP9501	64751HP9501	64751HP9501	64751HP9501	64751HP9501	64751HP9501	SPC,RR AXLE L(GV)	1
50	8	64611HP9501120	64611HP9501120	64611HP9501120	64611HP9501120	64611HP9501120	64611HP9501120	64611HP9501120	64611HP9501120	64611HP9501120	64611HP9501120	DRUM,RR SPRO MTG	1
50	9	64510HP9502	64510HP9502	64510HP9502	64510HP9502	64510HP9502	64510HP9502	64510HP9502	64510HP9502	64510HP9502	64510HP9502	PULLEY,BELT DRVN	1
50	10	64733HP9500	64733HP9500	64733HP9500	64733HP9500	64733HP9500	64733HP9500	64733HP9500	64733HP9500	64733HP9500	64733HP9500	RETAIN,RR MTG DR	1
50	11	08319-31088	08319-31088	08319-31088	08319-31088	08319-31088	08319-31088	08319-31088	08319-31088	08319-31088	08319-31088	NUT,PILLION FOOT	6
50	12	61411HN9100	61411HN9100	61411HN9100	61411HN9100	61411HN9100	61411HN9100	61411HN9100	61411HN9100	61411HN9100	61411HN9100	PLT,CH/ADJUST R	1
50	13	09285-28001	09285-28001	09285-28001	09285-28001	09285-28001	09285-28001	09285-28001	09285-28001	09285-28001	09285-28001	O/SEAL RR DRUM	1
50	14	08133-62047	08133-62047	08133-62047	08133-62047	08133-62047	08133-62047	08133-62047	08133-62047	08133-62047	08133-62047	BG,RR SPROCKET D	1
50	15	07110-08408	07110-08408	07110-08408	07110-08408	07110-08408	07110-08408	07110-08408	07110-08408	07110-08408	07110-08408	BOLT,REAR PULLEY	6
50	16	64651HM8101	64651HM8101	64651HM8101	64651HM8101	64651HM8101	64651HM8101	64651HM8101	64651HM8101	64651HM8101	64651HM8101	S/ABS,HUB(GT650)	6
50	17	64730HP9500	64730HP9500	64730HP9500	64730HP9500	64730HP9500	64730HP9500	64730HP9500	64730HP9500	64730HP9500	64730HP9500	SPACER,REAR HUB	1
50	18	08123-62037	08123-62037	08123-62037	08123-62037	08123-62037	08123-62037	08123-62037	08123-62037	08123-62037	08123-62037	BG,REAR WHEEL(GV)	1
50	19	08123-63037	08123-63037	08123-63037	08123-63037	08123-63037	08123-63037	08123-63037	08123-63037	08123-63037	08123-63037	BG RR WHEEL(GV25)	1
50	21	69211HP9503	69211HP9503	69211HP9503	69211HP9503	69211HP9503	69211HP9503	69211HP9503	69211HP9503	69211HP9503	69211HP9503	DISK,RR BK(GV650)	1
50	22	07120-08258	07120-08258	07120-08258	07120-08258	07120-08258	07120-08258	07120-08258	07120-08258	07120-08258	07120-08258	BOLT,GRIP HD(GPS)	6
50	23	69340HP9502120	69340HP9502120	69340HP9502120	69340HP9502120	69340HP9502120	69340HP9502120	69340HP9502120	69340HP9502120	69340HP9502120	69340HP9502120	CARRIER,CALIPER	1
50	24	59240HP9500	59240HP9500	59240HP9500	59240HP9500	59240HP9500	59240HP9500	59240HP9500	59240HP9500	59240HP9500	59240HP9500	COVER,REAR DISK	1

FIG 51. REAR CALIPER

FIG.	REF. NO.	ST-7								PART NAME	Q'TY
		내수	9EN01	9EU01	9F01	9G01	9S01	9US01	9US02		
51	0	69300HN9102	69300HN9102	69300HN9102	69300HN9102	69300HN9102	69300HN9102	69300HN9102	69300HN9102	CALIPER,RR BRAKE	1
51	1	07120-08358	07120-08358	07120-08358	07120-08358	07120-08358	07120-08358	07120-08358	07120-08358	BLT,CALIPER(GV65	2
51	2	59301HP9500	59301HP9500	59301HP9500	59301HP9500	59301HP9500	59301HP9500	59301HP9500	59301HP9500	PAD SET(8.4T)(GV	1